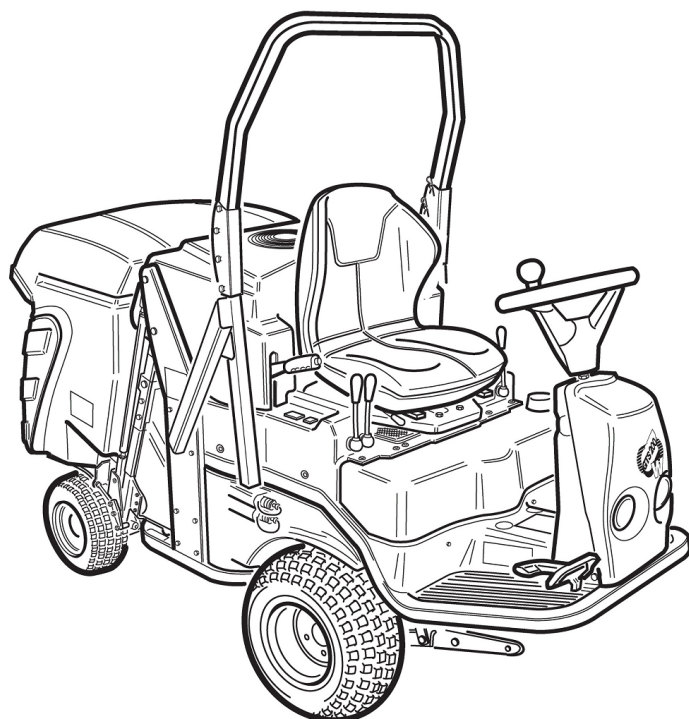




Gianni Ferrari

GTS-W



CATALOGO PARTI DI RICAMBIO

CATALOGUE PIECES DETACHEES

SPARE PARTS CATALOGUE

TERSATZTEILKATALOG



COMPOSIZIONE CODICE D'ORDINE

NUMERO DI MATRICOLA ALFANUMERICO DEL TELAIO + CODICE PARTICOLARE DI RICAMBIO

COMPOSITION OF THE ORDER CODE

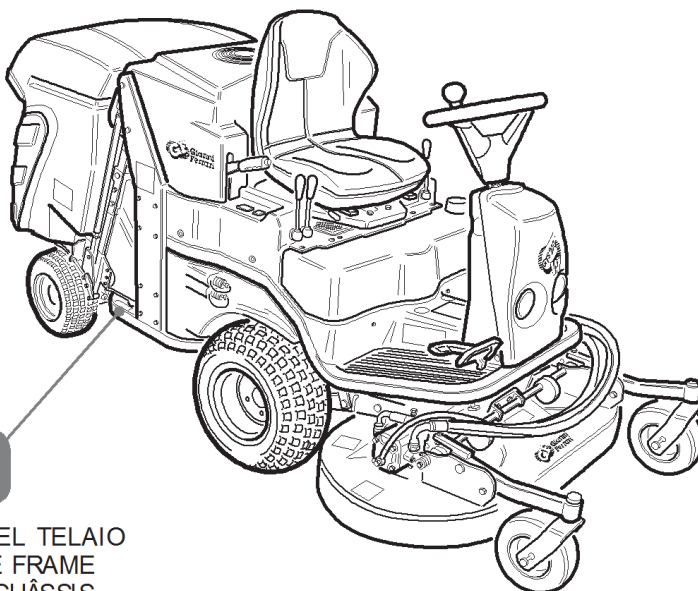
ALPHANUMERICAL SERIAL NUMBER OF THE FRAME + CODE NUMBER OF THE SPARE PART

COMPOSITION DU CODE DE L'ORDRE

NUMÉRO DE SÉRIE ALPHANUMÉRIQUE DU CHÂSSIS + CODE AU PIECE DE RECHANGE

AUFBAU DES BESTELLKODE

ALPHANUMERISCHE SERIENNUMMER DES GERÜSTES + HINWEIS AUF DAS CODE



XXXXXXX

NUMERO DI MATRICOLA ALFANUMERICO DEL TELAIO
ALPHANUMERICAL SERIAL NUMBER OF THE FRAME
NUMÉRO DE SÉRIE ALPHANUMÉRIQUE DU CHÂSSIS
ALPHANUMERISCHE SERIENNUMMER DES GERÜSTES

| | | | | |
|----|-------------|--------------------------------|--|--|
| 1 | 00777850027 | "COMPLETE SEAT ""COBO"" GTS" | | |
| 2 | 00111970209 | STEERING WHEEL W/BUSHING | | |
| 3 | 92001320001 | TUNNEL | | |
| 4 | 92001320006 | RIGHT MUDGUARD | | |
| 5 | 92001320005 | LEFT MUDGUARD | | |
| 6 | 94500000084 | FRONT DASHBOARD RAL 3002 | | |
| 7 | 94500000107 | REAR DASHBOARD | | |
| 8 | 92001320004 | LEFT BODY | | |
| 9 | 92011121000 | GTS230 ASSEMBLY ENGINE HOOD | | |
| 10 | 00111970153 | ENGINE-EXHAUST GRID | | |
| 11 | 00111970237 | CAP | | |
| 12 | 92001320003 | BODY RIGHT | | |
| 13 | 92001000035 | FUEL TANK | | |
| 14 | 92001460000 | GTS160/200 RADIATOR CLEAN.GRID | | |
| 15 | 94500000015 | SEAT SUPPORT | | |
| 16 | 00111970133 | KNOB M6X20 | | |
| 17 | 00111000071 | SELF LOCKING NUT M8 UNI 7473 | | |
| 18 | 00777850029 | LOWER RIGHT GUIDE-GTS- | | |
| 19 | 00777850028 | LOWER LEFT GUIDE -GTS- | | |
| 20 | 00111970127 | STOPPER M8 D30X20 | | |
| 21 | 94500000066 | HOOD HINGE PIN | | |
| 22 | 95500000003 | SEAT SUPPORT HINGE | | |
| 23 | 00777850031 | UPPER RIGHT GUIDE -GTS- | | |
| 24 | 00777850030 | UPPER LEFT GUIDE -GTS- | | |
| 25 | 00777850033 | | | |
| 26 | 00777850032 | | | |
| 27 | 00111350009 | SCREW AUTOFORF.4.2X13 | | |
| 28 | 00111450003 | SCREW WASHER M8X20 | | |
| 29 | 94500000085 | VALANCE PANEL PIN | | |
| 30 | 00111000095 | SELF BLO. NUT M8 | | |
| 31 | 00111970066 | CABLE HOLDER D.I.9 | | |
| 32 | 00111000132 | WASHER P. 8,4X32X2,5 ZNT | | |
| 33 | 00111400015 | ALLEN SCREW M6X40 | | |
| 34 | 92001270000 | CONSOLLE RIGHT SUPP.PLATE | | |
| 35 | 92001280000 | CONSOLLE LEFT SUPP.PLATE | | |
| 36 | 00111970025 | KNOB M8 MALE | | |
| 37 | 92006241000 | GTS220D ENGINE HOOD | | |
| 38 | 92006000026 | PUMP CLOSER | | |
| 39 | 00777851000 | SAFETY BELT ASSEMBLING KIT | | |
| 40 | 00111970217 | STEERING WHEEL KNOB | | |
| 41 | 91001000054 | SEAT BLOCK | | |
| 42 | 00111450003 | SCREW WASHER M8X20 | | |
| 43 | 00111750004 | ""BETA DECO"" SPLIT PIN" | | |
| 44 | 00111000082 | NUT M8 | | |
| 45 | 00111000095 | SELF BLO. NUT M8 | | |
| 46 | 92001000061 | LOCKING SEAT PIN FOR ROPS | | |
| 47 | 00111450020 | SCREW M8 X 16 | | |
| 48 | 00777600001 | WASHER COPPER 1/4 | | |
| 49 | 00777600183 | METAL EYELET 1/4 | | |
| 50 | 00777600040 | SIMPLE CABLE BOLT | | |
| 51 | 00777600050 | PLUG 1/4 | | |
| 52 | 00111450020 | SCREW M8 X 16 | | |
| 53 | 92006170000 | SX XONSOLE SUPPORT PLATE | | |
| 54 | 00111970231 | | | |
| 55 | 00111970158 | BLACK PLUG | | |
| 56 | 00777230025 | GASKET | | |
| 57 | 87001000068 | ADAPTER M3/8 | | |
| 58 | 00111970238 | LEVEL INDICATOR | | |
| 59 | 00111970239 | SEAL FOR FUEL LEVEL GAUGE | | |

COMPOSIZIONE CODICE D'ORDINE

NUMERO DI MATRICOLA ALFANUMERICO DEL TELAIO + CODICE PARTICOLARE DI RICAMBIO

COMPOSITION OF THE ORDER CODE

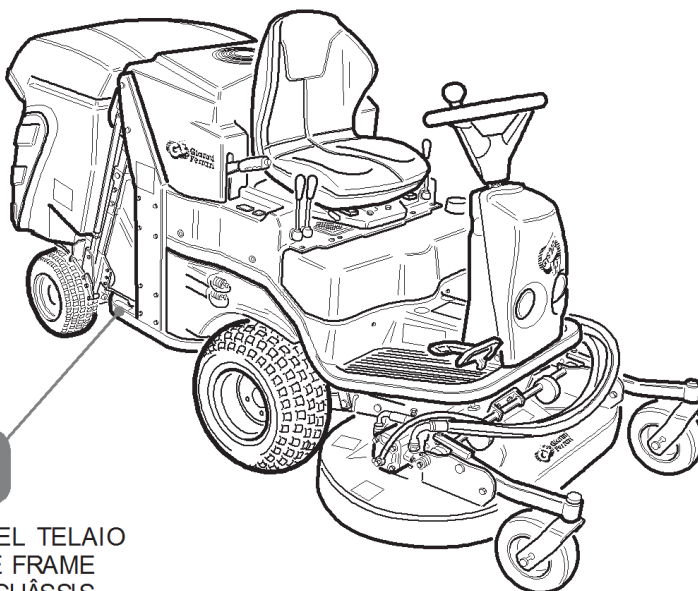
ALPHANUMERICAL SERIAL NUMBER OF THE FRAME + CODE NUMBER OF THE SPARE PART

COMPOSITION DU CODE DE L'ORDRE

NUMÉRO DE SÉRIE ALPHANUMÉRIQUE DU CHÂSSIS + CODE AU PIECE DE RECHANGE

AUFBAU DES BESTELLKODE

ALPHANUMERISCHE SERIENNUMMER DES GERÜSTES + HINWEIS AUF DAS CODE

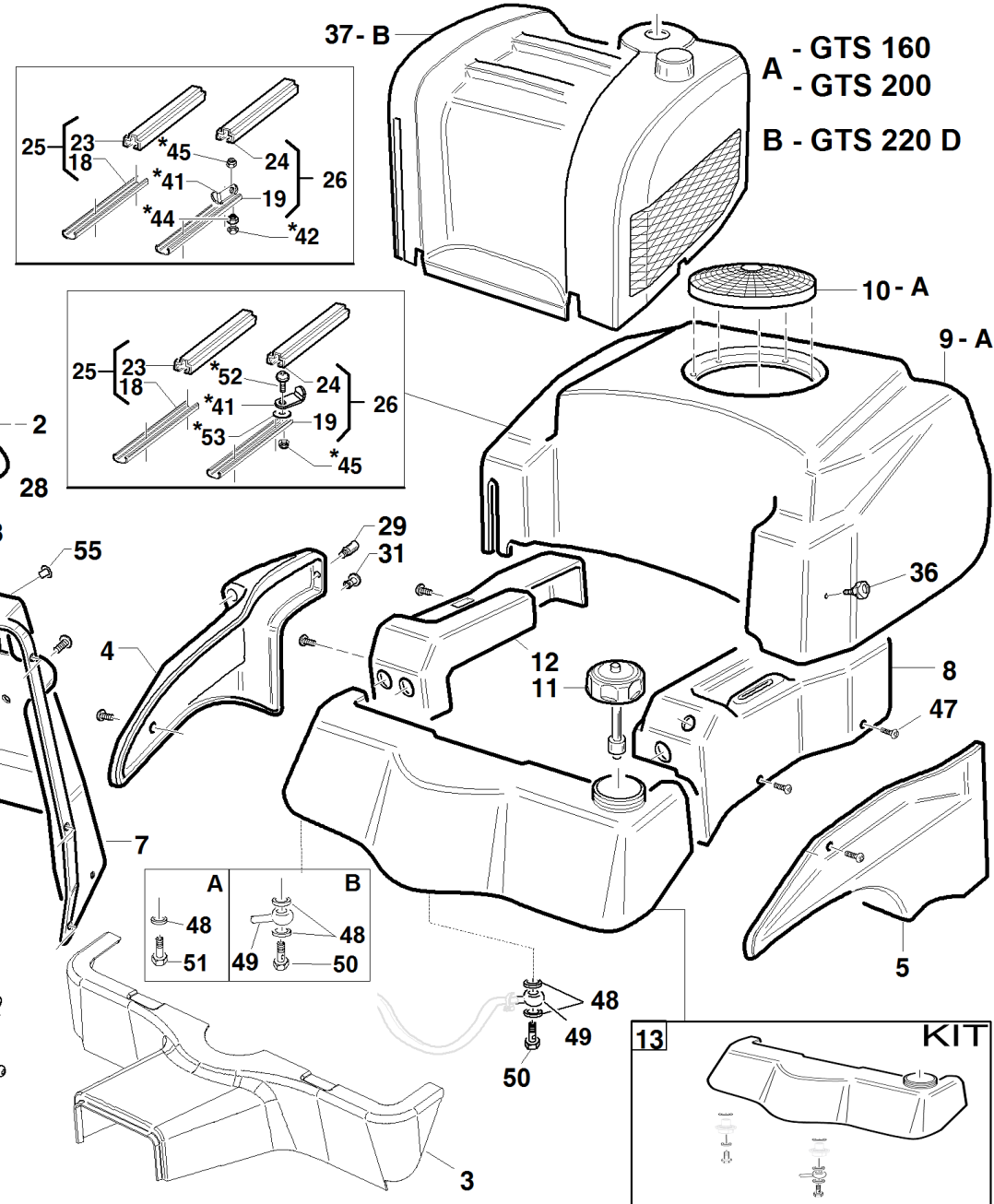
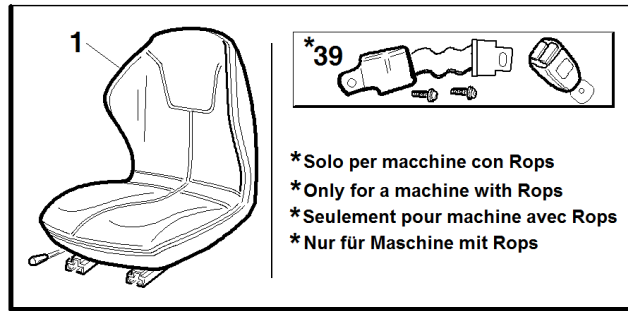


XXXXXXX

NUMERO DI MATRICOLA ALFANUMERICO DEL TELAIO
ALPHANUMERICAL SERIAL NUMBER OF THE FRAME
NUMÉRO DE SÉRIE ALPHANUMÉRIQUE DU CHÂSSIS
ALPHANUMERISCHE SERIENNUMMER DES GERÜSTES

| # | P/N | DESCRIPTION | GTS | REF. 01 - 00555501338 |
|----|-------------|--------------------------------|-----|-----------------------|
| 1 | 00777850027 | COMPLETE SEAT "COBO" GTS | | |
| 2 | 00111970209 | STEERING WHEEL W/BUSHING | | |
| 3 | 92001320001 | TUNNEL | | |
| 4 | 92001320006 | RIGHT MUDGUARD | | |
| 5 | 92001320005 | LEFT MUDGUARD | | |
| 6 | 94500000084 | FRONT DASHBOARD RAL 3002 | | |
| 7 | 94500000107 | REAR DASHBOARD | | |
| 8 | 92001320004 | LEFT BODY | | |
| 9 | 92001620000 | B&S ENGINE HOOD | | |
| 10 | 00111970153 | ENGINE-EXHAUST GRID | | |
| 11 | 00111970237 | CAP | | |
| 12 | 92001320003 | BODY RIGHT | | |
| 13 | 92001000035 | FUEL TANK | | |
| 14 | 92001460000 | GTS160/200 RADIATOR CLEAN.GRID | | |
| 15 | 94500000015 | SEAT SUPPORT | | |
| 16 | 00111970133 | KNOB M6X20 | | |
| 17 | 00111000071 | SELF BLO. NUT M8 | | |
| 18 | 00777850029 | LOWER RIGHT GUIDE-GTS- | | |
| 19 | 00777850028 | LOWER LEFT GUIDE -GTS- | | |
| 20 | 00111970127 | STOPPER M8 D30X20 | | |
| 21 | 94500000066 | HOOD HINGE PIN | | |
| 22 | 95500000003 | SEAT SUPPORT HINGE | | |
| 23 | 00777850031 | UPPER RIGHT GUIDE -GTS- | | |
| 24 | 00777850030 | UPPER LEFT GUIDE -GTS- | | |
| 25 | 00777850033 | | | |
| 26 | 00777850032 | | | |
| 27 | 00111350009 | SCREW AUTOFORF.4.2X13 | | |
| 28 | 00111450003 | SCREW WASHER M8X20 | | |
| 29 | 94500000085 | VALANCE PANEL PIN | | |
| 30 | 00111000095 | SELF BLO. NUT M8 | | |
| 31 | 00111970066 | CABLE HOLDER D.I.9 | | |
| 32 | 00111000132 | WASHER P. 8,4X32X2,5 ZNT | | |
| 33 | 00111400015 | ALLEN SCREW M6X40 | | |
| 34 | 92001270000 | CONSOLLE RIGHT SUPP.PLATE | | |
| 35 | 92001280000 | CONSOLLE LEFT SUPP.PLATE | | |
| 36 | 00111970025 | KNOB M8 MALE | | |
| 37 | 92006241000 | GTS220D ENGINE HOOD | | |
| 38 | 92006000026 | PUMP CLOSER | | |
| 39 | 00777851000 | SAFETY BELT ASSEMBLING KIT | | |
| 40 | 00111970217 | STEERING WHEEL KNOB | | |
| 41 | 91001000054 | SEAT BLOCK | | |
| 42 | 00111450003 | SCREW WASHER M8X20 | | |
| 43 | 00111750004 | "BETA DECO" SPLIT PIN | | |
| 44 | 00111000082 | NUT M8 | | |
| 45 | 00111000095 | SELF BLO. NUT M8 | | |
| 46 | 92001000061 | LOCKING SEAT PIN FOR ROPS | | |
| 47 | 00111450020 | SCREW M8 X 16 | | |
| 48 | 00777600001 | WASHER COPPER 1/4 | | |
| 49 | 00777600183 | METAL EYELET 1/4 | | |
| 50 | 00777600040 | SIMPLE CABLE BOLT | | |
| 51 | 00777600050 | PLUG 1/4 | | |
| 52 | 00111450020 | SCREW M8 X 16 | | |
| 53 | 92006170000 | SX XONSOLE SUPPORT PLATE | | |
| 54 | 00111970231 | | | |
| 55 | 00111970158 | BLACK PLUG | | |
| 56 | 00777230025 | GASKET | | |
| 57 | 87001000068 | ADAPTER M3/8 | | |
| 58 | 00111970238 | LEVEL INDICATOR | | |
| 59 | 00111970239 | PASSACAVO (REMOTE 100) | | |

GTS



S/N

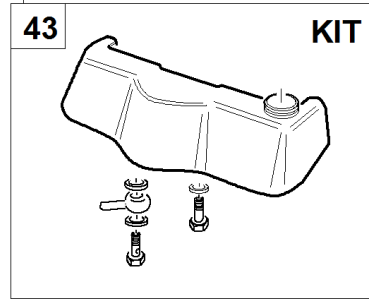
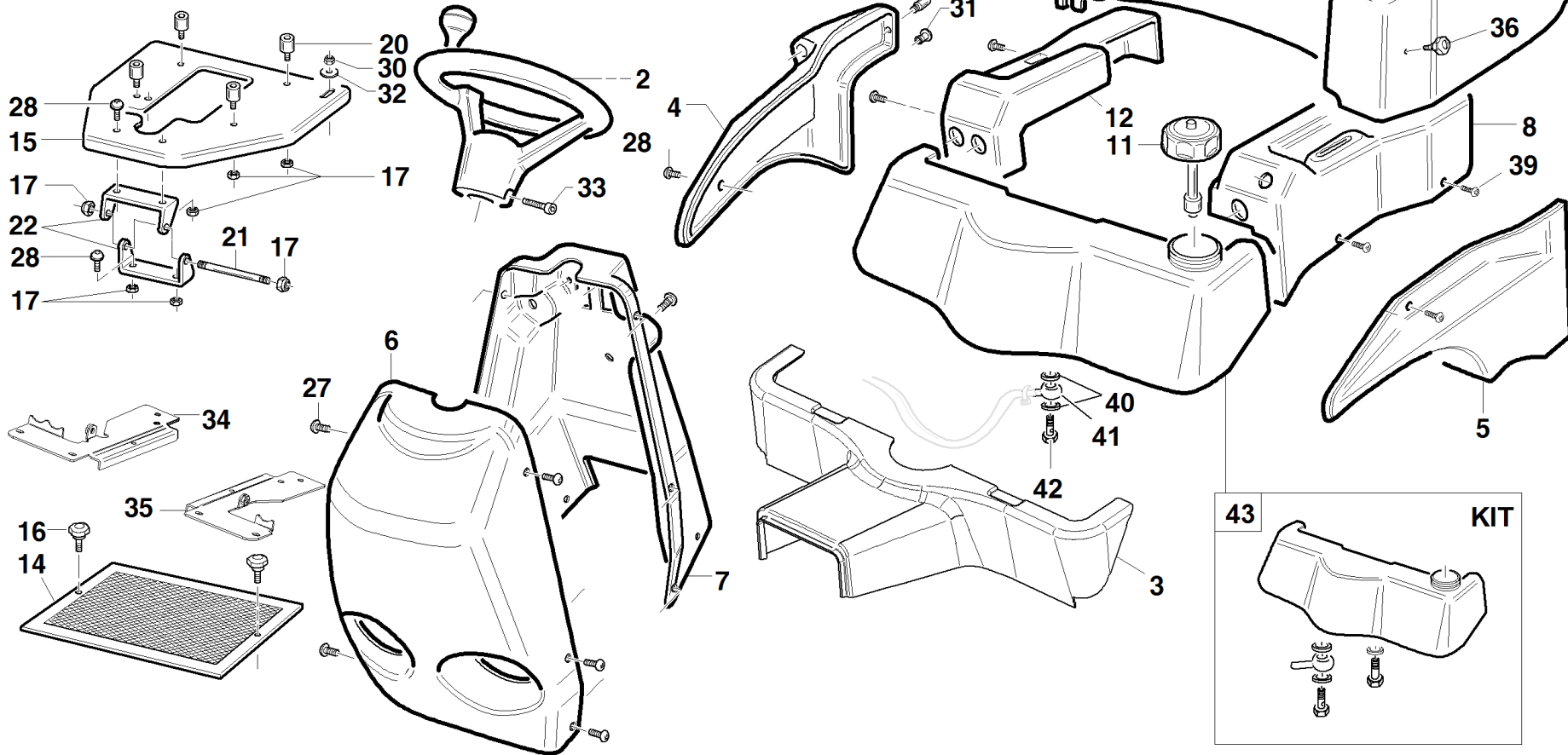
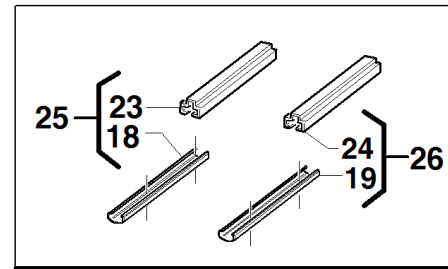
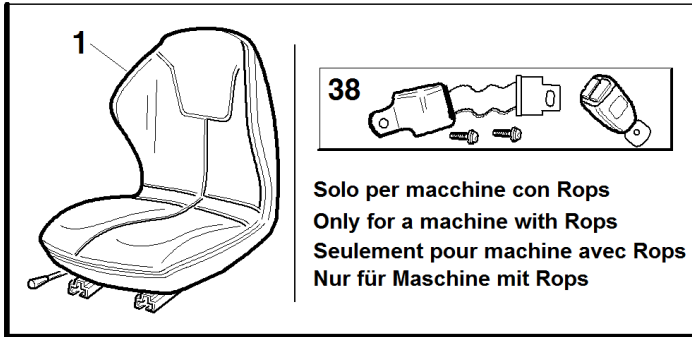
→ 1003053 ÷ 1209001 ←

REF.01 - 00555501331

| # | P/N | DESCRIPTION | GTS |
|----|-------------|--------------------------------|-----|
| 1 | 00777850027 | COMPLETE SEAT "COBO" GTS | |
| 2 | 00111970209 | STEERING WHEEL W/BUSHING | |
| 3 | 92001320001 | TUNNEL | |
| 4 | 92001320006 | RIGHT MUDGUARD | |
| 5 | 92001320005 | LEFT MUDGUARD | |
| 6 | 94500000084 | FRONT DASHBOARD RAL 3002 | |
| 7 | 94500000107 | REAR DASHBOARD | |
| 8 | 92001320004 | LEFT BODY | |
| 9 | 92001620000 | B&S ENGINE HOOD | |
| 10 | 00111970153 | ENGINE-EXHAUST GRID | |
| 11 | 00111970199 | TANK PLUG WITH LEVEL | |
| 12 | 92001320003 | BODY RIGHT | |
| 13 | 95598630000 | GTS TANK SPARE PARTS KIT | |
| 14 | 92001460000 | GTS160/200 RADIATOR CLEAN.GRID | |
| 15 | 94500000015 | SEAT SUPPORT | |
| 16 | 00111970133 | KNOB M6X20 | |
| 17 | 00111000071 | SELF BLO. NUT M8 | |
| 18 | 00777850029 | LOWER RIGHT GUIDE-GTS- | |
| 19 | 00777850028 | LOWER LEFT GUIDE -GTS- | |
| 20 | 00111970127 | STOPPER M8 D30X20 | |
| 21 | 94500000066 | HOOD HINGE PIN | |
| 22 | 95500000003 | SEAT SUPPORT HINGE | |
| 23 | 00777850031 | UPPER RIGHT GUIDE -GTS- | |
| 24 | 00777850030 | UPPER LEFT GUIDE -GTS- | |
| 25 | 00777850033 | | |
| 26 | 00777850032 | | |
| 27 | 00111350009 | SCREW AUTOFORF.4.2X13 | |
| 28 | 00111450003 | SCREW WASHER M8X20 | |
| 29 | 94500000085 | VALANCE PANEL PIN | |
| 30 | 00111000095 | SELF BLO. NUT M8 | |
| 31 | 00111970066 | CABLE HOLDER D.I.9 | |
| 32 | 00111000132 | WASHER P. 8,4X32X2,5 ZNT | |
| 33 | 00111400015 | ALLEN SCREW M6X40 | |
| 34 | 92001270000 | CONSOLLE RIGHT SUPP.PLATE | |
| 35 | 92001280000 | CONSOLLE LEFT SUPP.PLATE | |
| 36 | 00111970025 | KNOB M8 MALE | |
| 37 | 92006241000 | GTS220D ENGINE HOOD | |
| 38 | 92006000026 | PUMP CLOSER | |
| 39 | 00777851000 | SAFETY BELT ASSEMBLING KIT | |
| 40 | 00111970217 | STEERING WHEEL KNOB | |
| 41 | 91001000054 | SEAT BLOCK | |
| 42 | 00111450003 | SCREW WASHER M8X20 | |
| 43 | 00111970034 | KNOB M8 | |
| 44 | 00111000082 | NUT M8 | |
| 45 | 00111000095 | SELF BLO. NUT M8 | |
| 46 | 92108000004 | SEAT LOCKING ROD | |
| 47 | 00111450020 | SCREW M8 X 16 | |
| 48 | 00777600001 | WASHER COPPER 1/4 | |
| 49 | 00777600183 | METAL EYELET 1/4 | |
| 50 | 00777600040 | SIMPLE CABLE BOLT | |
| 51 | 00777600050 | PLUG 1/4 | |
| 52 | 00111450020 | SCREW M8 X 16 | |
| 53 | 92006170000 | SX XONSOLE SUPPORT PLATE | |
| 54 | 00111970231 | | |
| 55 | 00111970158 | BLACK PLUG | |

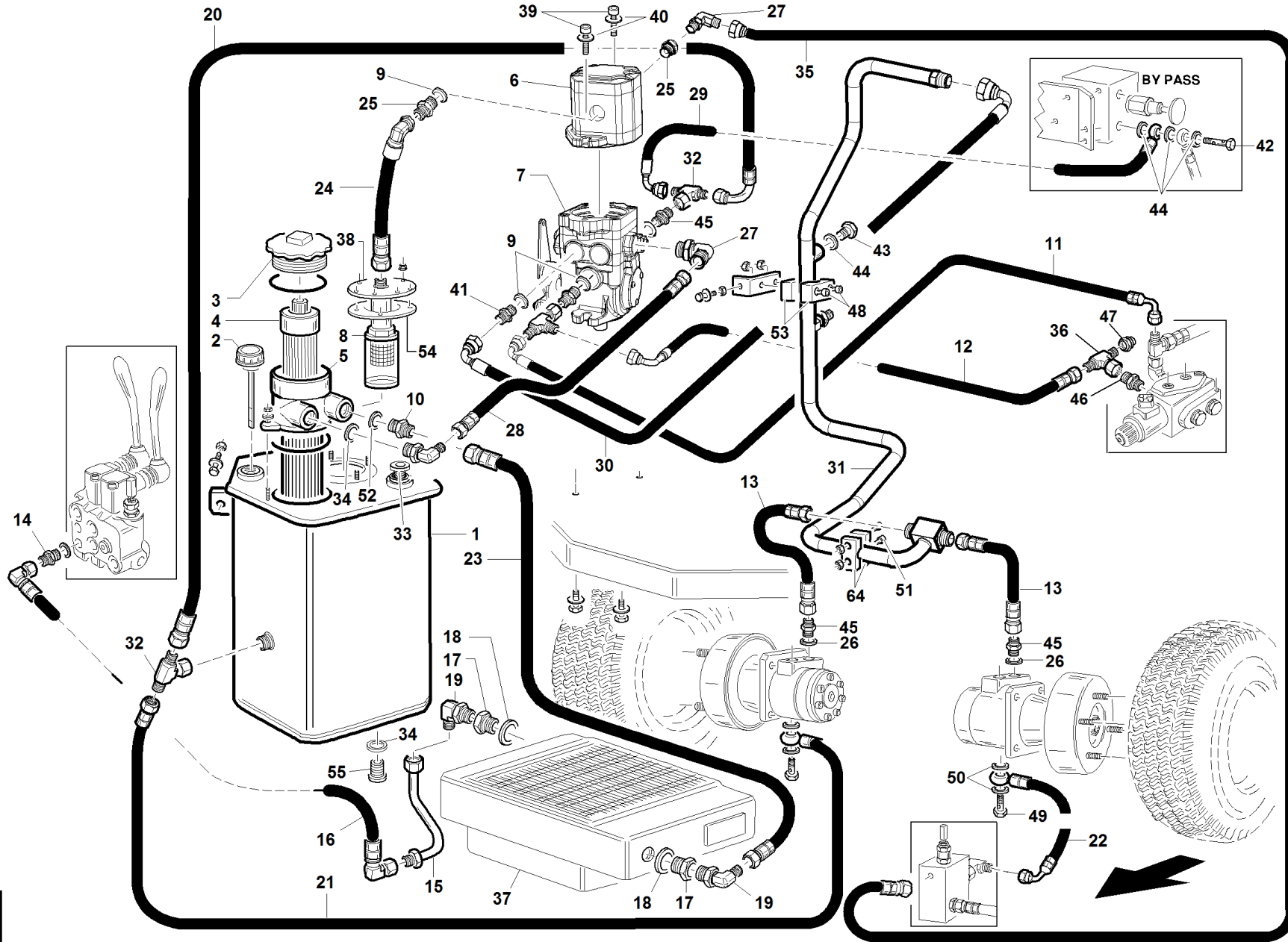
| # | P/N | DESCRIPTION | GTS |
|----|-------------|--------------------------------|-----|
| 1 | 00777850027 | COMPLETE SEAT "COBO" GTS | |
| 2 | 00111970209 | STEERING WHEEL W/BUSHING | |
| 3 | 92001320001 | TUNNEL | |
| 4 | 92001320006 | RIGHT MUDGUARD | |
| 5 | 92001320005 | LEFT MUDGUARD | |
| 6 | 94500000084 | FRONT DASHBOARD RAL 3002 | |
| 7 | 94500000107 | REAR DASHBOARD | |
| 8 | 92001320004 | LEFT BODY | |
| 9 | 92001620000 | B&S ENGINE HOOD | |
| 10 | 00111970153 | ENGINE-EXHAUST GRID | |
| 11 | 00111970199 | TANK PLUG WITH LEVEL | |
| 12 | 92001320003 | BODY RIGHT | |
| 13 | 92001000035 | FUEL TANK | |
| 14 | 92001460000 | GTS160/200 RADIATOR CLEAN.GRID | |
| 15 | 94500000015 | SEAT SUPPORT | |
| 16 | 00111970133 | KNOB M6X20 | |
| 17 | 00111000071 | SELF BLO. NUT M8 | |
| 18 | 00777850029 | LOWER RIGHT GUIDE-GTS- | |
| 19 | 00777850028 | LOWER LEFT GUIDE -GTS- | |
| 20 | 00111970127 | STOPPER M8 D30X20 | |
| 21 | 94500000066 | HOOD HINGE PIN | |
| 22 | 95500000003 | SEAT SUPPORT HINGE | |
| 23 | 00777850031 | UPPER RIGHT GUIDE -GTS- | |
| 24 | 00777850030 | UPPER LEFT GUIDE -GTS- | |
| 25 | 00777850033 | | |
| 26 | 00777850032 | | |
| 27 | 00111350009 | SCREW AUTOFORF.4.2X13 | |
| 28 | 00111450003 | SCREW WASHER M8X20 | |
| 29 | 94500000085 | VALANCE PANEL PIN | |
| 30 | 00111000095 | SELF BLO. NUT M8 | |
| 31 | 00111970066 | CABLE HOLDER D.I.9 | |
| 32 | 00111000132 | WASHER P. 8,4X32X2,5 ZNT | |
| 33 | 00111400015 | ALLEN SCREW M6X40 | |
| 34 | 92001270000 | CONSOLLE RIGHT SUPP.PLATE | |
| 35 | 92001280000 | CONSOLLE LEFT SUPP.PLATE | |
| 36 | 00111970025 | KNOB M8 MALE | |
| 37 | 92006241000 | GTS220D ENGINE HOOD | |
| 38 | 92006000026 | PUMP CLOSER | |
| 39 | 00777851000 | SAFETY BELT ASSEMBLING KIT | |
| 40 | 00111970217 | STEERING WHEEL KNOB | |
| 41 | 91001000054 | SEAT BLOCK | |
| 42 | 00111450003 | SCREW WASHER M8X20 | |
| 43 | 00111970034 | KNOB M8 | |
| 44 | 00111000082 | NUT M8 | |
| 45 | 00111000095 | SELF BLO. NUT M8 | |
| 46 | 92108000004 | SEAT LOCKING ROD | |
| 47 | 00111450020 | SCREW M8 X 16 | |
| 48 | 00777600001 | WASHER COPPER 1/4 | |
| 49 | 00777600183 | METAL EYELET 1/4 | |
| 50 | 00777600040 | SIMPLE CABLE BOLT | |
| 51 | 95598630000 | GTS TANK SPARE PARTS KIT | |

GTS



| # | P/N | DESCRIPTION | GTS |
|----|-------------|--------------------------------|-----|
| 1 | 00777850027 | COMPLETE SEAT "COBO" GTS | |
| 2 | 00111970098 | STEERING WHEEL | |
| 3 | 92001320001 | TUNNEL | |
| 4 | 92001320006 | RIGHT MUDGUARD | |
| 5 | 92001320005 | LEFT MUDGUARD | |
| 6 | 94500000084 | FRONT DASHBOARD RAL 3002 | |
| 7 | 94500000107 | REAR DASHBOARD | |
| 8 | 92001320004 | LEFT BODY | |
| 9 | 92001620000 | B&S ENGINE HOOD | |
| 10 | 00111970153 | ENGINE-EXHAUST GRID | |
| 11 | 00111970199 | TANK PLUG WITH LEVEL | |
| 12 | 92001320003 | BODY RIGHT | |
| 14 | 92001460000 | GTS160/200 RADIATOR CLEAN.GRID | |
| 15 | 94500000015 | SEAT SUPPORT | |
| 16 | 00111970133 | KNOB M6X20 | |
| 17 | 00111000071 | SELF BLO. NUT M8 | |
| 18 | 00777850029 | LOWER RIGHT GUIDE-GTS- | |
| 19 | 00777850028 | LOWER LEFT GUIDE -GTS- | |
| 20 | 00111970127 | STOPPER M8 D30X20 | |
| 21 | 94500000066 | HOOD HINGE PIN | |
| 22 | 95500000003 | SEAT SUPPORT HINGE | |
| 23 | 00777850031 | UPPER RIGHT GUIDE -GTS- | |
| 24 | 00777850030 | UPPER LEFT GUIDE -GTS- | |
| 25 | 00777850033 | | |
| 26 | 00777850032 | | |
| 27 | 00111350009 | SCREW AUTOFORF.4.2X13 | |
| 28 | 00111450003 | SCREW WASHER M8X20 | |
| 29 | 94500000085 | VALANCE PANEL PIN | |
| 30 | 00111000095 | SELF BLO. NUT M8 | |
| 31 | 00111970066 | CABLE HOLDER D.I.9 | |
| 32 | 00111000132 | WASHER P. 8,4X32X2,5 ZNT | |
| 33 | 00111400015 | ALLEN SCREW M6X40 | |
| 34 | 92001270000 | CONSOLLE RIGHT SUPP.PLATE | |
| 35 | 92001280000 | CONSOLLE LEFT SUPP.PLATE | |
| 36 | 00111970025 | KNOB M8 MALE | |
| 37 | 92006241000 | GTS220D ENGINE HOOD | |
| 38 | 00777851000 | SAFETY BELT ASSEMBLING KIT | |
| 39 | 00111450020 | SCREW M8 X 16 | |
| 40 | 00777600001 | WASHER COPPER 1/4 | |
| 41 | 00777600183 | METAL EYELET 1/4 | |
| 42 | 00777600040 | SIMPLE CABLE BOLT | |
| 43 | 95598630000 | GTS TANK SPARE PARTS KIT | |

GTS



S/N
→1310001

REF.02 - 00555501346

| # | P/N | DESCRIPTION | GTS |
|----|-------------|--|-----|
| 1 | 92001140000 | OIL TANK | |
| 2 | 00777600176 | "IN PRESSURING PLUG 0.25BAR 3/4"" LMAX=41" | |
| 3 | 95599000086 | FILTER CAP | |
| 4 | 00777650069 | RETURN FILTER CARTRIDGE 12 MICRON | |
| 5 | 91001000013 | OIL FILTER 12 MICRO | |
| 6 | 92001000001 | HYDR. PUMP 11cc | |
| 7 | 92006000002 | | |
| 8 | 92001000008 | 250 MICRON PLUNGED FILTER | |
| 9 | 00777600128 | WASHER 1/2 | |
| 10 | 00777600129 | NIPPLE 3/4-3/4 | |
| 11 | 92002120005 | HOSE 3/8 1SC F90°3/8-F3/8 L=1270 | |
| 12 | 92002120004 | HOSE 3/8 1SC F90°3/8-F3/8 L=1080 | |
| 13 | 92002120007 | HOSE 3/8 1SC F1/2-F1/2 L=600 | |
| 14 | 00777600135 | NIPPLE 3/4-3/8 | |
| 15 | 92002120031 | RADIATOR PIPE | |
| 16 | 92002120015 | HOSE 3/4 1SN N°2 F90°3/4 COMP L=260 140° | |
| 17 | 00777600179 | REDUCTION PLUG 3/4 | |
| 18 | 00777600159 | "COPPER WASHER 1"" | |
| 19 | 00777600134 | ADAPTER 90° M/M 3/4 ADJUSTABLE | |
| 20 | 92002120021 | HOSE 5/8 1SN F1/2-F90° 1/2 L=770 | |
| 21 | 92002120011 | HOSE 1/4 1SN OC1/4-F1/2 L=410 | |
| 22 | 92002120010 | HOSE 1/4 1SN OC1/4-F90°3/8 L=720 90° | |
| 23 | 92002120013 | HOSE 3/4 1SN F3/4-F3/4 L=530 | |
| 24 | 92011110001 | "HYDRAULIC PIPE 1"" F1""-F90°3/4 L=325" | |
| 25 | 00777600130 | NIPPLE 3/4-1/2 | |
| 26 | 00777600117 | "COPPER WASHER 1/2"" | |
| 27 | 00777600124 | ADAPTER 90° M/M 1/2 ADJUSTABLE | |
| 28 | 92011110003 | HYDRAULIC PIPE 5/8 F1/2-F1/2 L=285 | |
| 29 | 92011110005 | HYDRAULIC PIPE 3/8 F90°1/2-OC1/4 L=900 1 | |
| 30 | 92011110002 | HYDRAULIC PIPE 1/2 2SC F90°1/2-F90°1/2 L | |
| 31 | 92013000001 | RETURN HYDRAULIC PIPE Ø20X2.5 | |
| 32 | 00777600137 | ADAPTER 1/2 ROTATING | |
| 33 | 00777600193 | | |
| 34 | 00777600003 | WASHER COPPER 3/8 | |
| 35 | 92011110004 | HYDRAULIC PIPE 1/2 F90°3/8-F90°1/2 L=295 | |
| 36 | 00777600178 | T-ADAPTER 3/8 | |
| 37 | 95599000057 | | |
| 38 | 92001150000 | OIL SUCTION HOSE | |
| 39 | 00111400010 | SCREW M10X30 8.8 UNI 5931 | |
| 40 | 00111550005 | WASHER M10 | |
| 41 | 00777600156 | NIPPLE 1/2 - 3/8 | |
| 42 | 00777600039 | DOUBLE CABLE BOLT | |
| 43 | 00777600050 | PLUG 1/4 | |
| 44 | 00777600001 | WASHER COPPER 1/4 | |
| 45 | 00777600125 | NIPPLE 1/2 - 1/2 | |
| 46 | 00777600015 | NIPPLE 3/8 | |
| 47 | 00777600170 | ROTATING CAP 3/8 | |
| 48 | 00111400015 | ALLEN SCREW M6X40 | |
| 49 | 00777600040 | SIMPLE CABLE BOLT | |
| 50 | 00777600181 | ALLUMINIUM WASHER 1/4 | |
| 51 | 00111400040 | ALLEN SCREW TCEI M6 X 30 | |
| 52 | 00777600159 | "COPPER WASHER 1"" | |
| 53 | 00111990123 | PLASTIC COLLAR Ø20 | |
| 54 | 92001000042 | IMMERSED FILTER GASKET | |
| 55 | 00777600155 | PLUG 3/8 | |

| # | P/N | DESCRIPTION | GTS |
|----|-------------|--|-----|
| 1 | 92001140000 | OIL TANK | |
| 2 | 00777600176 | "IN PRESSURING PLUG 0.25BAR 3/4"" LMAX=41" | |
| 3 | 95599000086 | FILTER CAP | |
| 4 | 00777650069 | RETURN FILTER CARTRIDGE 12 MICRON | |
| 5 | 91001000013 | OIL FILTER 12 MICRO | |
| 6 | 92001000001 | HYDR. PUMP 11cc | |
| 7 | 92001000006 | PUMP MD10V 14 | |
| 8 | 92001000055 | PUMP SUPPORT | |
| 9 | 92001000008 | 250 MICRON PLUNGED FILTER | |
| 10 | 00777600157 | "NIPPLE 1""-3/4" | |
| 11 | 00777600129 | NIPPLE 3/4-3/4 | |
| 12 | 92002120005 | HOSE 3/8 1SC F90°3/8-F3/8 L=1270 | |
| 13 | 92002120004 | HOSE 3/8 1SC F90°3/8-F3/8 L=1080 | |
| 14 | 92002120007 | HOSE 3/8 1SC F1/2-F1/2 L=600 | |
| 15 | 00777600135 | NIPPLE 3/4-3/8 | |
| 16 | 92002120031 | RADIATOR PIPE | |
| 17 | 92002120015 | HOSE 3/4 1SN N°2 F90°3/4 COMP L=260 140° | |
| 18 | 00777600179 | REDUCTION PLUG 3/4 | |
| 19 | 00777600159 | "COPPER WASHER 1""" | |
| 20 | 00777600134 | ADAPTER 90° M/M 3/4 ADJUSTABLE | |
| 21 | 92002120021 | HOSE 5/8 1SN F1/2-F90° 1/2 L=770 | |
| 22 | 92002120011 | HOSE 1/4 1SN OC1/4-F1/2 L=410 | |
| 23 | 92002120010 | HOSE 1/4 1SN OC1/4-F90°3/8 L=720 90° | |
| 24 | 92002120013 | HOSE 3/4 1SN F3/4-F3/4 L=530 | |
| 25 | 92002120001 | "HOSE 1""" | |
| 26 | 00777600130 | NIPPLE 3/4-1/2 | |
| 27 | 00777600117 | "COPPER WASHER 1/2""" | |
| 28 | 00777600124 | ADAPTER 90° M/M 1/2 ADJUSTABLE | |
| 29 | 92002120002 | HOSE 5/8 1SN F1/2-F90°1/2 L=570 | |
| 30 | 92002120003 | HOSE 3/8 1SN F90°1/2-OC1/4 L=800 135° | |
| 31 | 92002120020 | HOSE 1/2 | |
| 32 | 92003000001 | RECOVERY TUBE Ø20X2.5 | |
| 33 | 00777600137 | ADAPTER 1/2 ROTATING | |
| 34 | 00777600115 | MALE ELBOW 90° 3/8 | |
| 35 | 00777600177 | DAMPER 400N (104 mm/s) | |
| 36 | 92001430000 | PUMP WORKING LEVER | |
| 37 | 00777600193 | | |
| 38 | 00777600003 | WASHER COPPER 3/8 | |
| 39 | 92002120008 | HOSE 1/2 2SC F90°1/2-F90°1/2 L=560 90° | |
| 40 | 00777600178 | T-ADAPTER 3/8 | |
| 41 | 00777600164 | NIPLES 1/2 | |
| 42 | 95599000057 | | |
| 43 | 92001150000 | OIL SUCTION HOSE | |
| 44 | 00111400010 | SCREW M10X30 8.8 UNI 5931 | |
| 45 | 00111550005 | WASHER M10 | |
| 46 | 00777600156 | NIPPLE 1/2 - 3/8 | |
| 47 | 92001000044 | DUMPER PIN | |
| 48 | 00777600039 | DOUBLE CABLE BOLT | |
| 49 | 00777600038 | WASHER BONDED 1/4 | |
| 50 | 00777600050 | PLUG 1/4 | |
| 51 | 00777600001 | WASHER COPPER 1/4 | |
| 52 | 00777600125 | NIPPLE 1/2 - 1/2 | |
| 53 | 00111000129 | SCREW UNI 5737 | |
| 54 | 00111000095 | SELF BLO. NUT M8 | |
| 55 | 00777600015 | NIPPLE 3/8 | |
| 56 | 00777600170 | ROTATING CAP 3/8 | |
| 57 | 00111400015 | ALLEN SCREW M6X40 | |
| 58 | 00777600040 | SIMPLE CABLE BOLT | |
| 59 | 00777600181 | ALLUMINIUM WASHER 1/4 | |

#

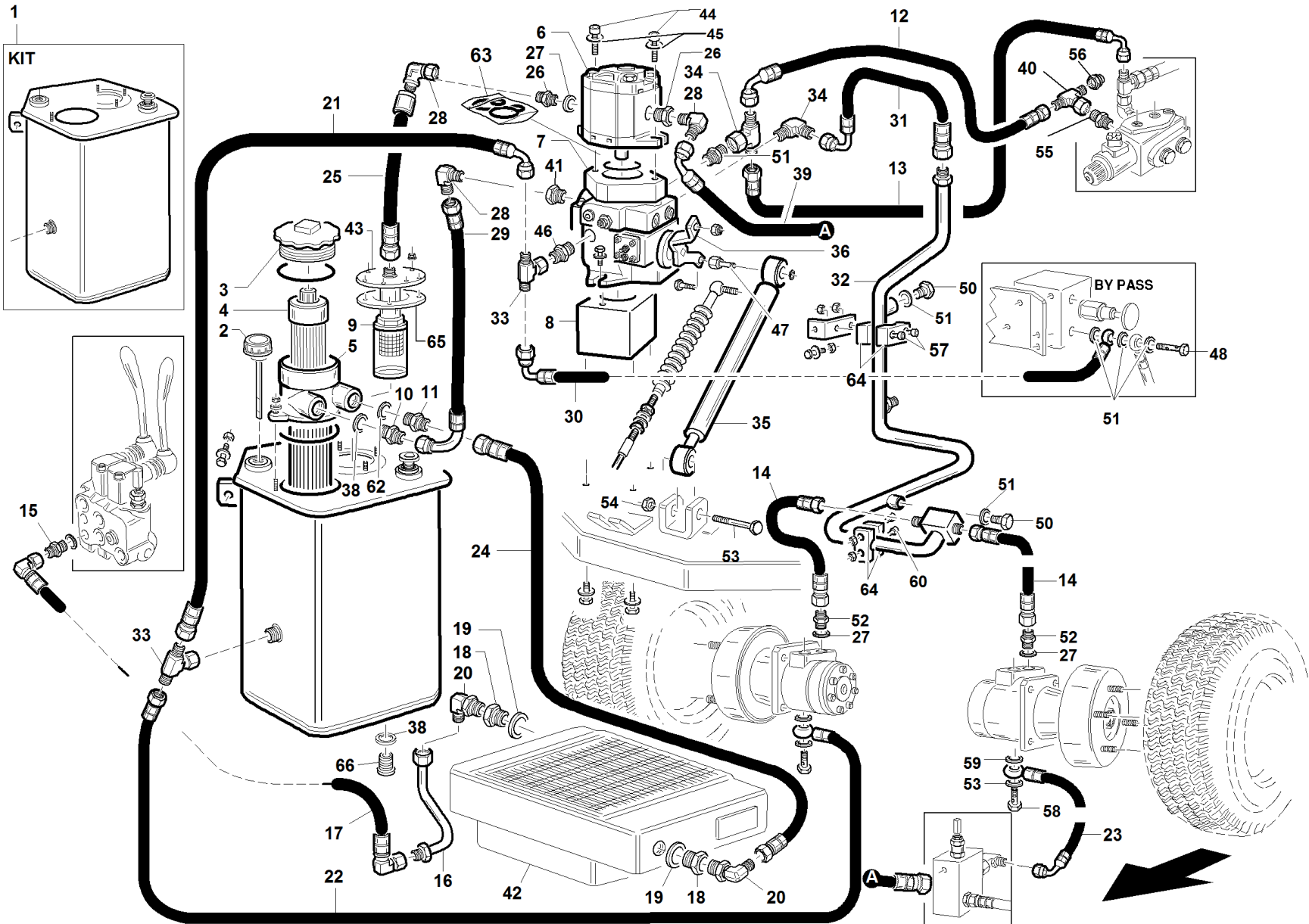
P/N

DESCRIPTION

GTS

| | | |
|----|-------------|---------------------------|
| 60 | 00111400040 | ALLEN SCREW TCEI M6 X 30 |
| 62 | 00777600159 | "COPPER WASHER 1"" |
| 63 | 95598400000 | PUMP MD10V 14/18 SEAL KIT |
| 64 | 00111990123 | PLASTIC COLLAR Ø20 |
| 65 | 92001000042 | IMMERSED FILTER GASKET |
| 66 | 00777600155 | PLUG 3/8 |

GTS



S/N

→ **0811001 ÷ 1109010** ←

REF.02 - 00555501339

| # | P/N | DESCRIPTION | GTS |
|----|-------------|--|-----|
| 1 | 95597100000 | | |
| 2 | 00777600176 | "IN PRESSURING PLUG 0.25BAR 3/4"" LMAX=41" | |
| 3 | 95599000086 | FILTER CAP | |
| 4 | 00777650069 | RETURN FILTER CARTRIDGE 12 MICRON | |
| 5 | 91001000013 | OIL FILTER 12 MICRO | |
| 6 | 92001000001 | HYDR. PUMP 11cc | |
| 7 | 92001000006 | PUMP MD10V 14 | |
| 8 | 92001000055 | PUMP SUPPORT | |
| 9 | 92001000008 | 250 MICRON PLUNGED FILTER | |
| 10 | 00777600157 | "NIPPLE 1""-3/4" | |
| 11 | 00777600129 | NIPPLE 3/4-3/4 | |
| 12 | 92002120005 | HOSE 3/8 1SC F90°3/8-F3/8 L=1270 | |
| 13 | 92002120004 | HOSE 3/8 1SC F90°3/8-F3/8 L=1080 | |
| 14 | 92002120007 | HOSE 3/8 1SC F1/2-F1/2 L=600 | |
| 15 | 00777600135 | NIPPLE 3/4-3/8 | |
| 16 | 92002120031 | RADIATOR PIPE | |
| 17 | 92002120015 | HOSE 3/4 1SN N°2 F90°3/4 COMP L=260 140° | |
| 18 | 00777600179 | REDUCTION PLUG 3/4 | |
| 19 | 00777600159 | "COPPER WASHER 1""" | |
| 20 | 00777600134 | ADAPTER 90° M/M 3/4 ADJUSTABLE | |
| 21 | 92002120021 | HOSE 5/8 1SN F1/2-F90° 1/2 L=770 | |
| 22 | 92002120011 | HOSE 1/4 1SN OC1/4-F1/2 L=410 | |
| 23 | 92002120010 | HOSE 1/4 1SN OC1/4-F90°3/8 L=720 90° | |
| 24 | 92002120013 | HOSE 3/4 1SN F3/4-F3/4 L=530 | |
| 25 | 92002120001 | "HOSE 1""" | |
| 26 | 00777600130 | NIPPLE 3/4-1/2 | |
| 27 | 00777600117 | "COPPER WASHER 1/2""" | |
| 28 | 00777600124 | ADAPTER 90° M/M 1/2 ADJUSTABLE | |
| 29 | 92002120002 | HOSE 5/8 1SN F1/2-F90°1/2 L=570 | |
| 30 | 92002120003 | HOSE 3/8 1SN F90°1/2-OC1/4 L=800 135° | |
| 31 | 92002120020 | HOSE 1/2 | |
| 32 | 92003000001 | RECOVERY TUBE Ø20X2.5 | |
| 33 | 00777600137 | ADAPTER 1/2 ROTATING | |
| 34 | 00777600115 | MALE ELBOW 90° 3/8 | |
| 35 | 00777600177 | DAMPER 400N (104 mm/s) | |
| 36 | 92001430000 | PUMP WORKING LEVER | |
| 37 | 00777600193 | | |
| 38 | 00777600003 | WASHER COPPER 3/8 | |
| 39 | 92002120008 | HOSE 1/2 2SC F90°1/2-F90°1/2 L=560 90° | |
| 40 | 00777600178 | T-ADAPTER 3/8 | |
| 41 | 00777600164 | NIPLES 1/2 | |
| 42 | 95599000057 | | |
| 43 | 92001150000 | OIL SUCTION HOSE | |
| 44 | 00111400010 | SCREW M10X30 8.8 UNI 5931 | |
| 45 | 00111550005 | WASHER M10 | |
| 46 | 00777600156 | NIPPLE 1/2 - 3/8 | |
| 47 | 92001000044 | DUMPER PIN | |
| 48 | 00777600039 | DOUBLE CABLE BOLT | |
| 49 | 00777600038 | WASHER BONDED 1/4 | |
| 50 | 00777600050 | PLUG 1/4 | |
| 51 | 00777600001 | WASHER COPPER 1/4 | |
| 52 | 00777600125 | NIPPLE 1/2 - 1/2 | |
| 53 | 00111000129 | SCREW UNI 5737 | |
| 54 | 00111000095 | SELF BLO. NUT M8 | |
| 55 | 00777600015 | NIPPLE 3/8 | |
| 56 | 00777600170 | ROTATING CAP 3/8 | |
| 57 | 00111400015 | ALLEN SCREW M6X40 | |
| 58 | 00777600040 | SIMPLE CABLE BOLT | |
| 59 | 00777600181 | ALLUMINIUM WASHER 1/4 | |

#

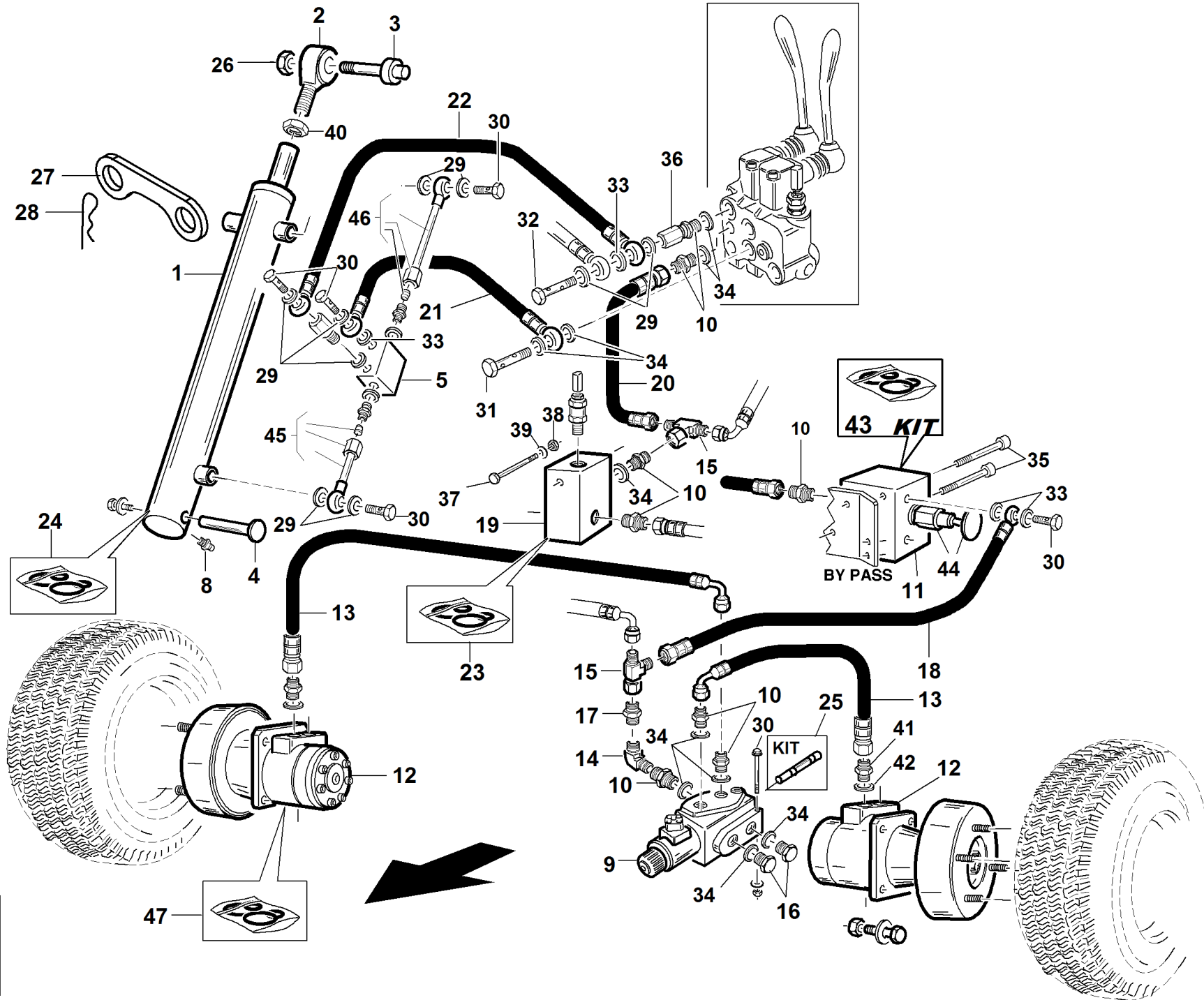
P/N

DESCRIPTION

GTS

| | | |
|----|-------------|---------------------------|
| 60 | 00111400040 | ALLEN SCREW TCEI M6 X 30 |
| 62 | 00777600159 | "COPPER WASHER 1"" |
| 63 | 95598400000 | PUMP MD10V 14/18 SEAL KIT |
| 64 | 00111990123 | PLASTIC COLLAR Ø20 |
| 65 | 92001000042 | IMMERSED FILTER GASKET |
| 66 | 00777600155 | PLUG 3/8 |

GTS - 2WD

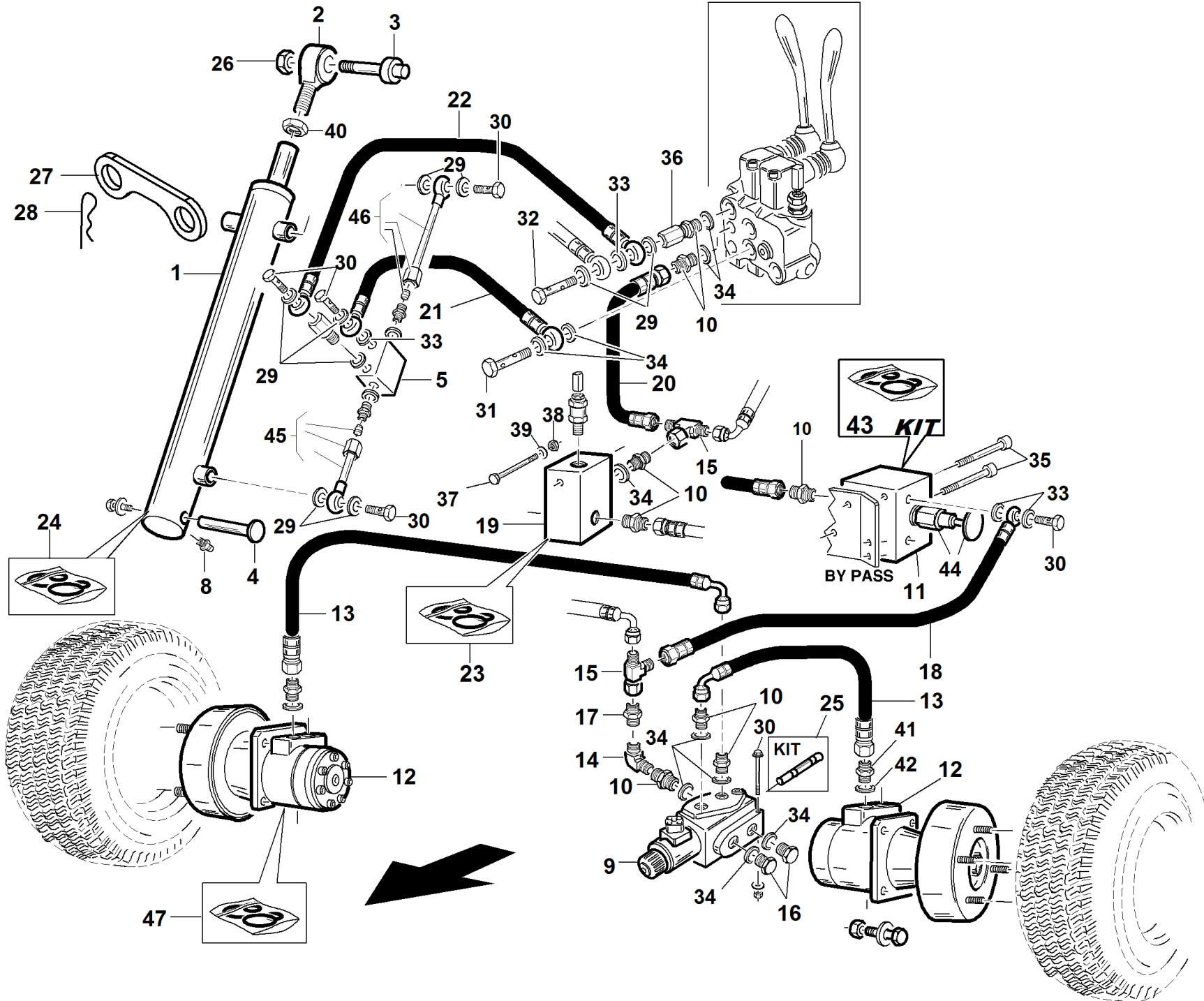


S/N
→1103002

REF.03 - 00555501336

| | | | | |
|----|-------------|------------------------------------|--|--|
| 1 | 92001000013 | HOPPER LIFTING CYLINDER | | |
| 2 | 00777200016 | BIG END OF THE CONNECTING ROD TM14 | | |
| 3 | 92001000046 | CYLINDER FIXING SCREW | | |
| 4 | 92001000034 | HIGH DUMP CYLINDER PIN | | |
| 5 | 00777601700 | SIMPLE BLOCK VALVE | | |
| 8 | 00111000036 | GREASER M6 | | |
| 9 | 91001000004 | DIFFERENTIAL INTERLOCK VALVE Ø3mm | | |
| 10 | 00777600015 | NIPPLE 3/8 | | |
| 11 | 91004000001 | BY-PASS VALVE BLOCK | | |
| 12 | 92001000060 | FRONT WHEEL HYDR. MOTOR ARS160 | | |
| 13 | 92002120006 | HOSE 3/8 1SC F1/2-F90°3/8 L=870 | | |
| 14 | 00777600115 | MALE ELBOW 90° 3/8 | | |
| 15 | 00777600178 | T-ADAPTER 3/8 | | |
| 16 | 00777600155 | PLUG 3/8 | | |
| 17 | 00777600170 | ROTATING CAP 3/8 | | |
| 18 | 92002120016 | HOSE 1/4 1SC OC1/4-F3/8 L=910 | | |
| 19 | 92001000003 | BLOCK VALVE 250BAR | | |
| 20 | 92002120012 | HOSE 3/8 1SN F3/8-F3/8 L=480 | | |
| 21 | 92002120025 | HOSE 1/4 1SN OC1/4-OC1/4 L=990 90° | | |
| 22 | 92002120024 | HOSE 1/4 1SN OC1/4-OC3/8 L=990 90° | | |
| 23 | 95598390000 | MAX 250BAR VALVE GASKET KIT | | |
| 24 | 95598500000 | GTS HIGH DUMP CYL.GASKET KIT | | |
| 25 | 95598410000 | KIT DIFFERENTIAL LOCK SPOOL | | |
| 26 | 00111250005 | SELF BL. NUT M14 | | |
| 27 | 92001000047 | CYLINDER LOCKING BRACKET | | |
| 28 | 00111000175 | PIN "R" D.4 | | |
| 29 | 00777600001 | WASHER COPPER 1/4 | | |
| 30 | 00777600040 | SIMPLE CABLE BOLT | | |
| 31 | 00777600133 | DOUBLE CABLE BOLT | | |
| 32 | 00777600039 | DOUBLE CABLE BOLT | | |
| 33 | 00777600038 | WASHER BONDED 1/4 | | |
| 34 | 00777600003 | WASHER COPPER 3/8 | | |
| 35 | 00111400043 | SCREW TCEI M8X85 8.8 | | |
| 36 | 00777600138 | EXTENSION 1/4 L=35 | | |
| 37 | 00777600087 | HOSE R1 L=1350 | | |
| 38 | 00111000183 | SELF BL. NUT M5 | | |
| 39 | 00111500014 | | | |
| 40 | 00111150019 | NUT M14 6S | | |
| 41 | 00777600125 | NIPPLE 1/2 - 1/2 | | |
| 42 | 00777600117 | COPPER WASHER 1/2" | | |
| 43 | 95598600000 | | | |
| 44 | 95599000092 | VALVE MCD 28/2202-PBFB | | |
| 45 | 00777602100 | BLOCK VALVE TUBE | | |
| 46 | 00777602000 | VALVE PIPE | | |
| 47 | 95598700000 | ARS WHEEL MOTOR OIL SEALS KIT | | |

GTS - 2WD

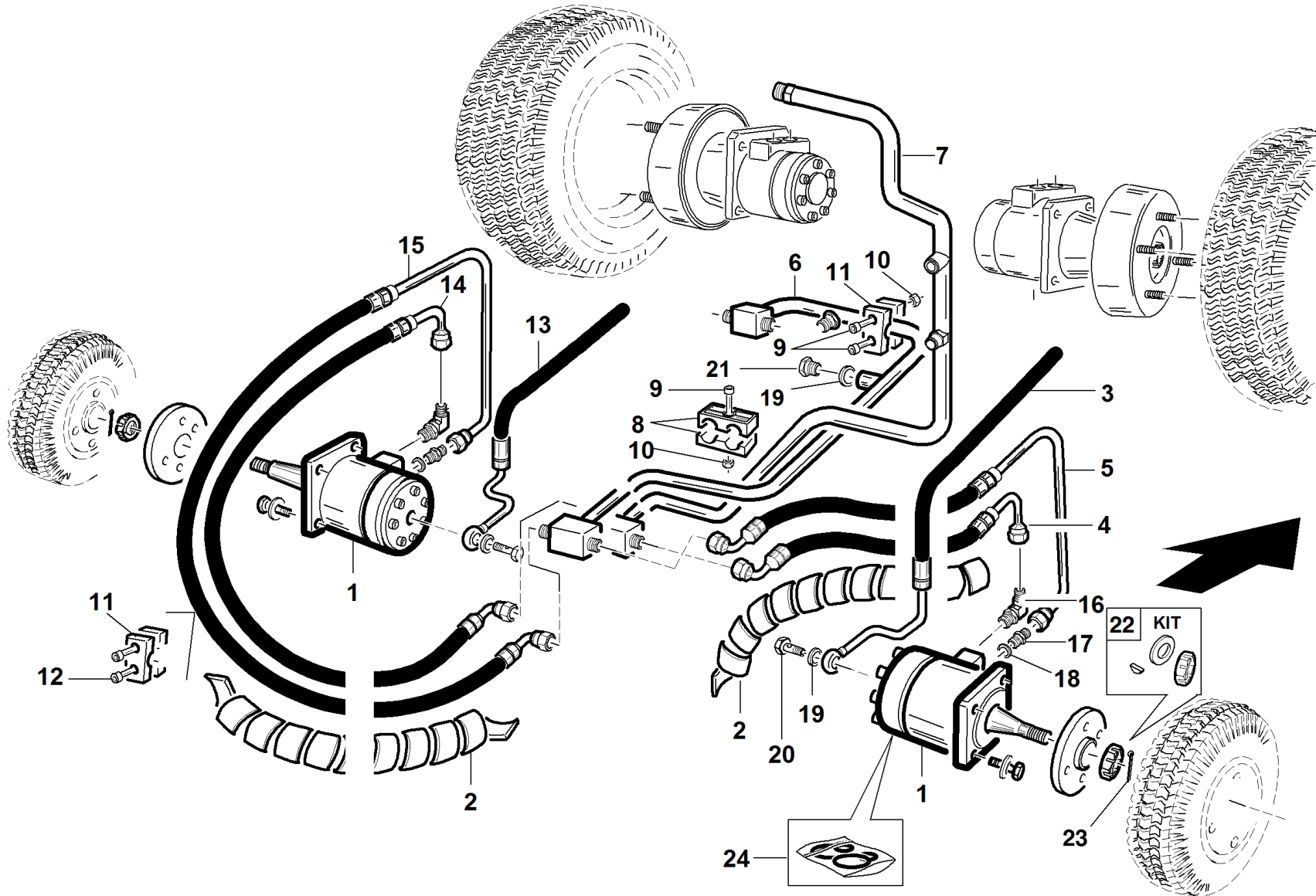


S/N
 → 0811001 ÷ 1103001 ←

REF.03 - 00555501303

| | | | | |
|----|-------------|------------------------------------|--|--|
| 1 | 92001000013 | HOPPER LIFTING CYLINDER | | |
| 2 | 00777200016 | BIG END OF THE CONNECTING ROD TM14 | | |
| 3 | 92001000046 | CYLINDER FIXING SCREW | | |
| 4 | 92001000034 | HIGH DUMP CYLINDER PIN | | |
| 5 | 00777601700 | SIMPLE BLOCK VALVE | | |
| 8 | 00111000036 | GREASER M6 | | |
| 9 | 91001000004 | DIFFERENTIAL INTERLOCK VALVE Ø3mm | | |
| 10 | 00777600015 | NIPPLE 3/8 | | |
| 11 | 91004000001 | BY-PASS VALVE BLOCK | | |
| 12 | 92001000005 | REAR WHEEL HYDR.MOTOR ARS 130 | | |
| 13 | 92002120006 | HOSE 3/8 1SC F1/2-F90°3/8 L=870 | | |
| 14 | 00777600115 | MALE ELBOW 90° 3/8 | | |
| 15 | 00777600178 | T-ADAPTER 3/8 | | |
| 16 | 00777600155 | PLUG 3/8 | | |
| 17 | 00777600170 | ROTATING CAP 3/8 | | |
| 18 | 92002120016 | HOSE 1/4 1SC OC1/4-F3/8 L=910 | | |
| 19 | 92001000003 | BLOCK VALVE 250BAR | | |
| 20 | 92002120012 | HOSE 3/8 1SN F3/8-F3/8 L=480 | | |
| 21 | 92002120025 | HOSE 1/4 1SN OC1/4-OC1/4 L=990 90° | | |
| 22 | 92002120024 | HOSE 1/4 1SN OC1/4-OC3/8 L=990 90° | | |
| 23 | 95598390000 | MAX 250BAR VALVE GASKET KIT | | |
| 24 | 95598500000 | GTS HIGH DUMP CYL.GASKET KIT | | |
| 25 | 95598410000 | KIT DIFFERENTIAL LOCK SPOOL | | |
| 26 | 00111250005 | SELF BL. NUT M14 | | |
| 27 | 92001000047 | CYLINDER LOCKING BRACKET | | |
| 28 | 00111000175 | PIN "R" D.4 | | |
| 29 | 00777600001 | WASHER COPPER 1/4 | | |
| 30 | 00777600040 | SIMPLE CABLE BOLT | | |
| 31 | 00777600133 | DOUBLE CABLE BOLT | | |
| 32 | 00777600039 | DOUBLE CABLE BOLT | | |
| 33 | 00777600038 | WASHER BONDED 1/4 | | |
| 34 | 00777600003 | WASHER COPPER 3/8 | | |
| 35 | 00111400043 | SCREW TCEI M8X85 8.8 | | |
| 36 | 00777600138 | EXTENSION 1/4 L=35 | | |
| 37 | 00777600087 | HOSE R1 L=1350 | | |
| 38 | 00111000183 | SELF BL. NUT M5 | | |
| 39 | 00111500014 | | | |
| 40 | 00111150019 | NUT M14 6S | | |
| 41 | 00777600125 | NIPPLE 1/2 - 1/2 | | |
| 42 | 00777600117 | COPPER WASHER 1/2" | | |
| 43 | 95598600000 | | | |
| 44 | 95599000092 | VALVE MCD 28/2202-PBFB | | |
| 45 | 00777602100 | BLOCK VALVE TUBE | | |
| 46 | 00777602000 | VALVE PIPE | | |
| 47 | 95598700000 | ARS WHEEL MOTOR OIL SEALS KIT | | |

GTS - 4WD



S/N
→1310001

REF.04 - 00555501351

#

P/N

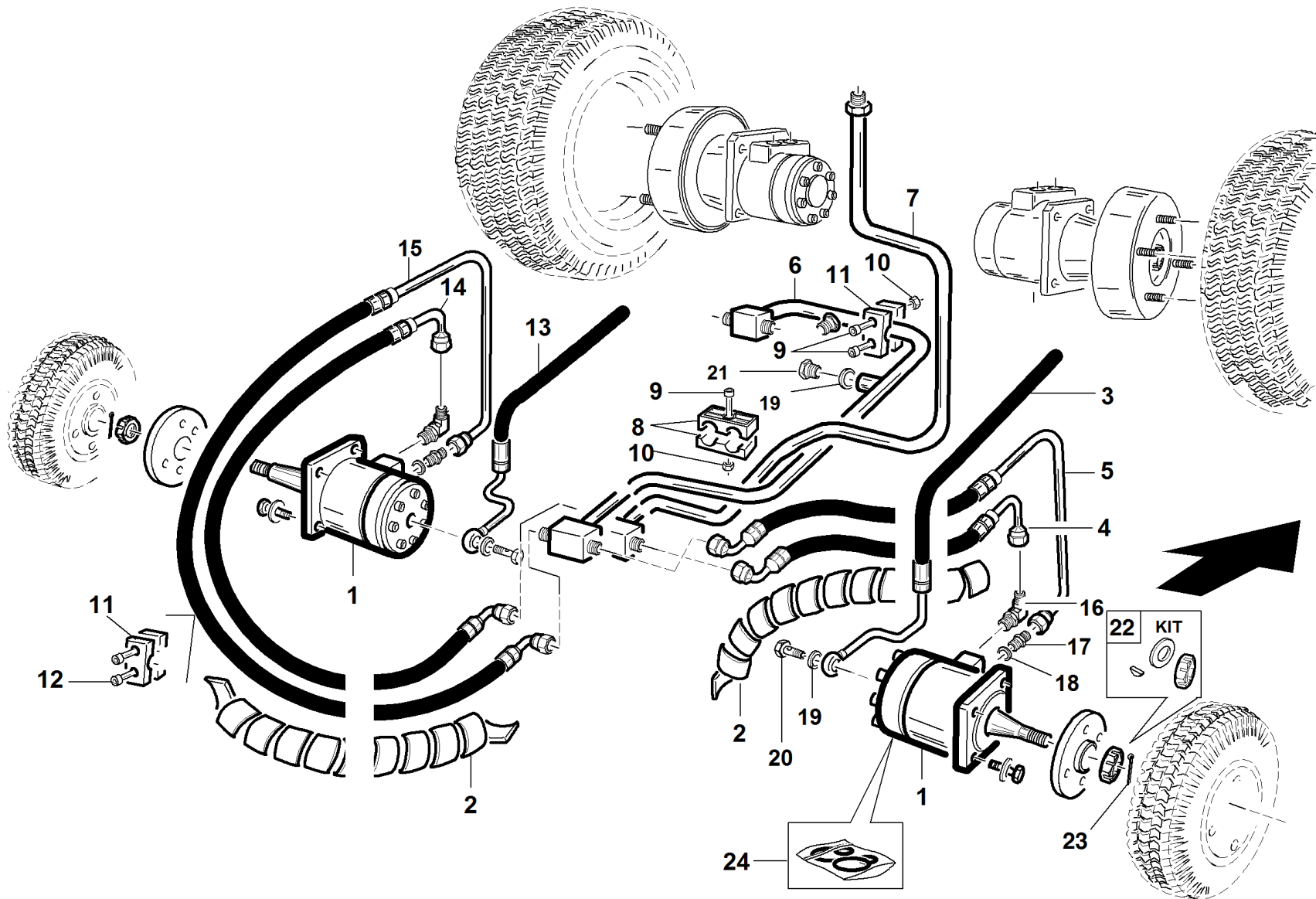
DESCRIPTION

GTS - 4WD

REF. 04 - 00555501351

| | | |
|----|-------------|--------------------------------|
| 1 | 92002000012 | REAR WHEEL HYDR. MOTOR ARS100 |
| 2 | 92002000011 | BLACK SPIRAL D. 27 L=400mm |
| 3 | 92012100002 | RH WHEEL MOTOR DRAINAGE HOSE |
| 4 | 92002000004 | RIGHT WHEEL ENGINE HOSE |
| 5 | 92002000005 | RIGHT WHEEL ENGINE HOSE |
| 6 | 92002000002 | CENTRAL HOSE Ø20X2.5 |
| 7 | 92012100003 | REAR MOTORS OIL RETURN HOSE |
| 8 | 00111990109 | PLASTIC COLLAR |
| 9 | 00111400027 | ALLEN SCREW M8X50 |
| 10 | 00111250018 | "NUT ""CONEKLOK"" M8" |
| 11 | 00111990121 | PLASTIC COLLAR |
| 12 | 00111400021 | ALLEN SCREW M8X20 |
| 13 | 92012100001 | LH WHEEL MOTOR DRAINAGE HOSE |
| 14 | 92002000009 | LEFT WHEEL ENGINE TUBE |
| 15 | 92002000010 | LEFT WHEEL ENGINE TUBE |
| 16 | 00777600124 | ADAPTER 90° M/M 1/2 ADJUSTABLE |
| 17 | 00777600015 | NIPPLE 3/8 |
| 18 | 00777600003 | WASHER COPPER 3/8 |
| 19 | 00777600001 | WASHER COPPER 1/4 |
| 20 | 00777600040 | SIMPLE CABLE BOLT |
| 21 | 00777600050 | PLUG 1/4 |
| 22 | 95598470000 | NUT-WASHER-TONGUA KIT |
| 23 | 00111000177 | PIN 4X40 |
| 24 | 95598700000 | ARS WHEEL MOTOR OIL SEALS KIT |

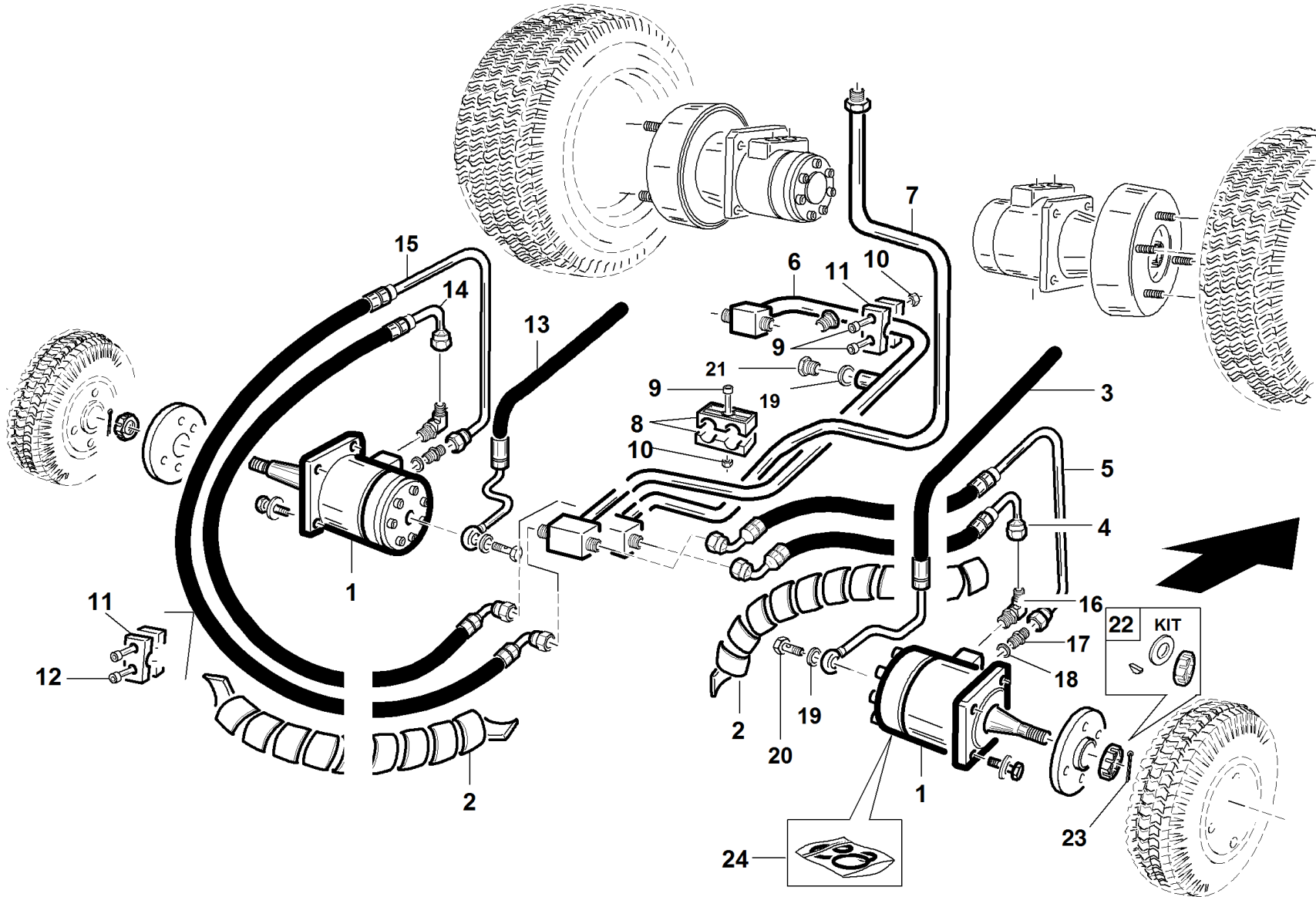
GTS - 4WD



S/N
→1103002

REF.04 - 00555501334

| | | | | |
|----|-------------|--------------------------------|--|--|
| 1 | 92002000012 | REAR WHEEL HYDR. MOTOR ARS100 | | |
| 2 | 92002000011 | BLACK SPIRAL D. 27 L=400mm | | |
| 3 | 92002000006 | RIGHT WHEEL ENGINE HOSE | | |
| 4 | 92002000004 | RIGHT WHEEL ENGINE HOSE | | |
| 5 | 92002000005 | RIGHT WHEEL ENGINE HOSE | | |
| 6 | 92002000002 | CENTRAL HOSE Ø20X2.5 | | |
| 7 | 92002000003 | RECOVERY TUBE Ø20X2.5 | | |
| 8 | 00111990109 | PLASTIC COLLAR | | |
| 9 | 00111400027 | ALLEN SCREW M8X50 | | |
| 10 | 00111250018 | NUT "CONEKLOK" M8 | | |
| 11 | 00111990121 | PLASTIC COLLAR | | |
| 12 | 00111400021 | ALLEN SCREW M8X20 | | |
| 13 | 92002000007 | LEFT WHEEL ENGINE TUBE | | |
| 14 | 92002000009 | LEFT WHEEL ENGINE TUBE | | |
| 15 | 92002000010 | LEFT WHEEL ENGINE TUBE | | |
| 16 | 00777600124 | ADAPTER 90° M/M 1/2 ADJUSTABLE | | |
| 17 | 00777600015 | NIPPLE 3/8 | | |
| 18 | 00777600003 | WASHER COPPER 3/8 | | |
| 19 | 00777600001 | WASHER COPPER 1/4 | | |
| 20 | 00777600040 | SIMPLE CABLE BOLT | | |
| 21 | 00777600050 | PLUG 1/4 | | |
| 22 | 95598470000 | NUT-WASHER-TONGUA KIT | | |
| 23 | 00111000177 | PIN 4X40 | | |
| 24 | 95598700000 | ARS WHEEL MOTOR OIL SEALS KIT | | |

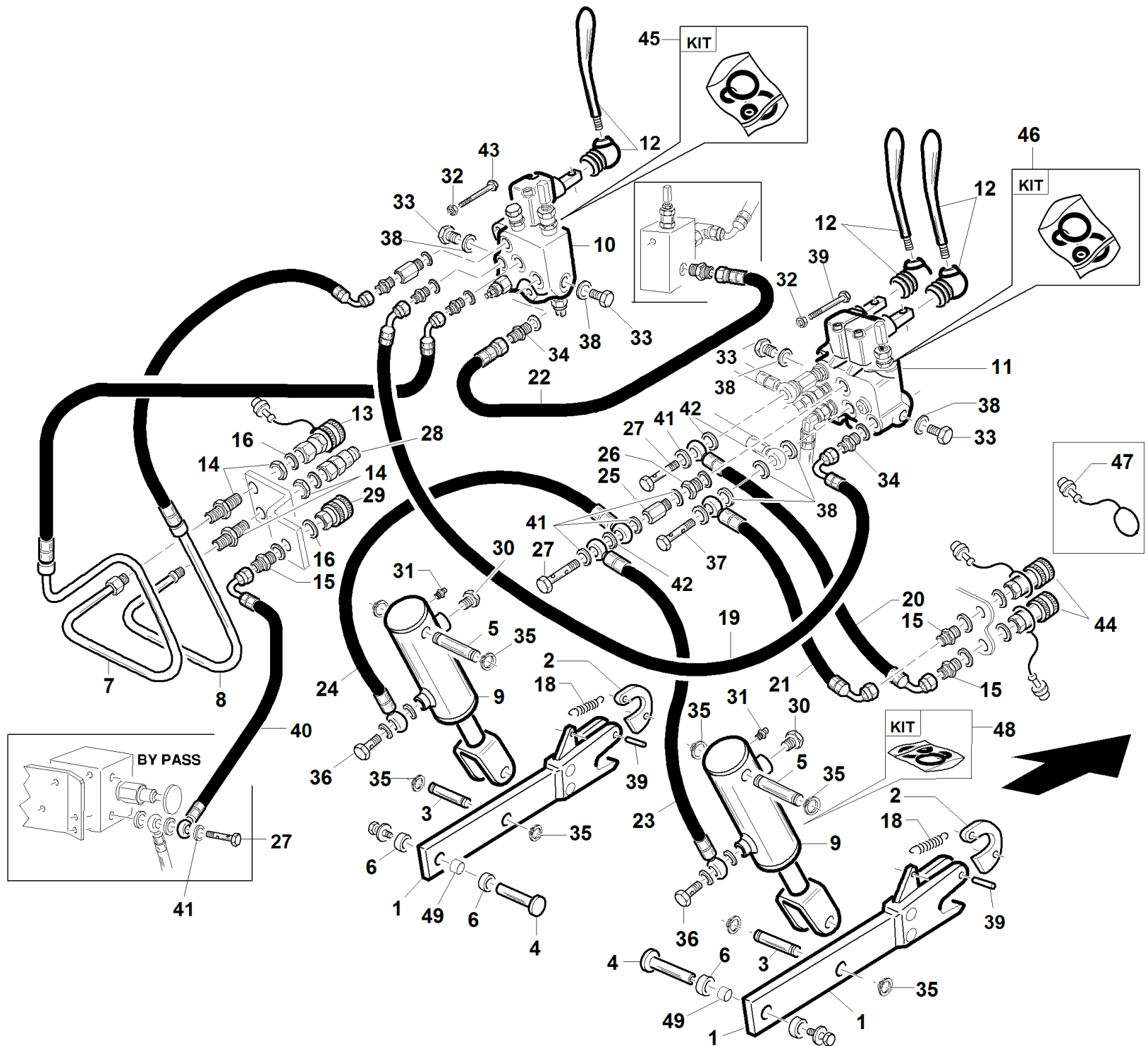


S/N

→ **0811001 ÷ 1103001** ←

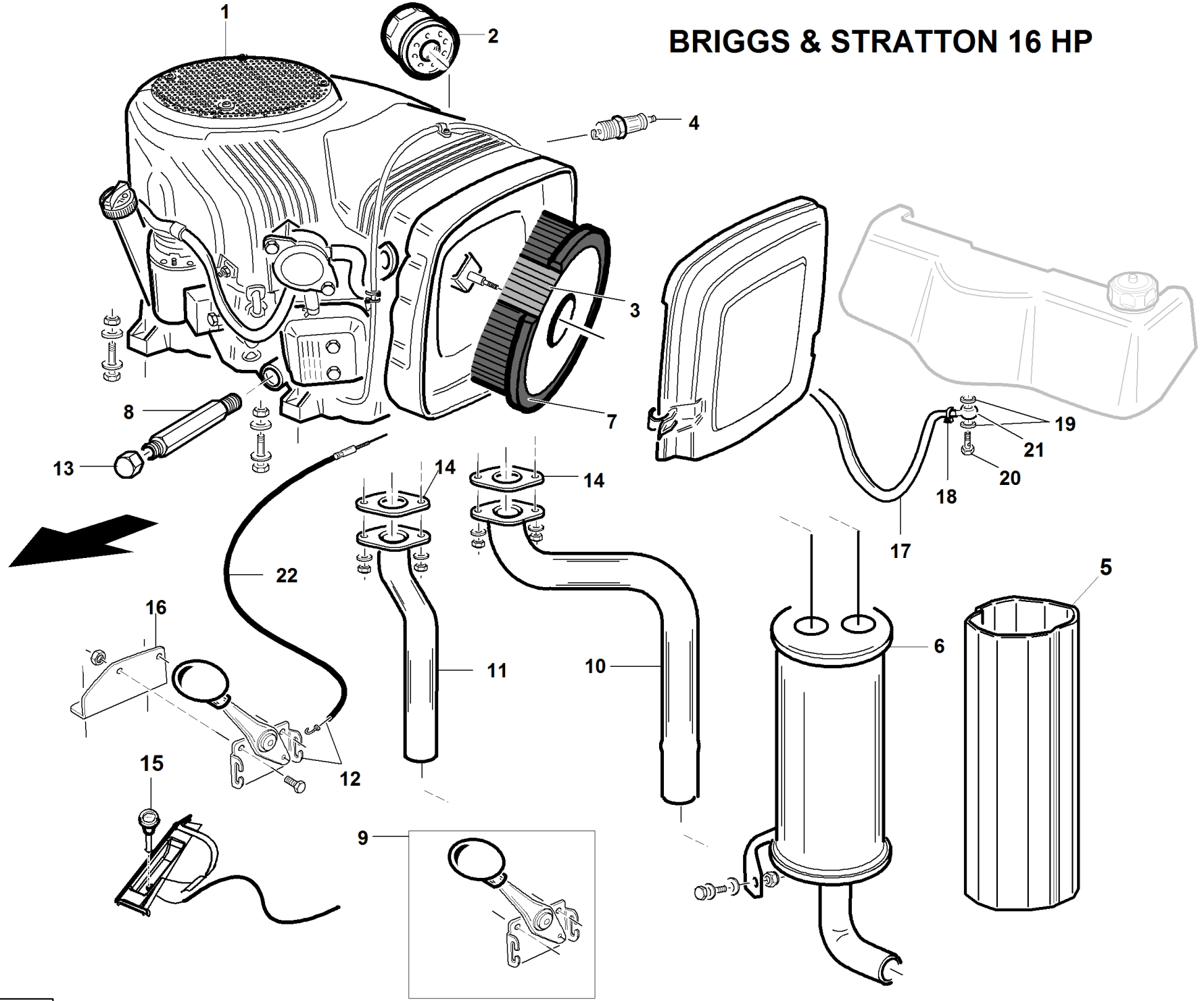
REF.04 - 00555501304

| # | P/N | DESCRIPTION | GTS - 4WD | REF. 04 - 00555501304 |
|----|-------------|--------------------------------|-----------|-----------------------|
| 1 | 92002000001 | REAR WHEEL HYDR.MOTOR ARS 80 | | |
| 2 | 92002000011 | BLACK SPIRAL D. 27 L=400mm | | |
| 3 | 92002000006 | RIGHT WHEEL ENGINE HOSE | | |
| 4 | 92002000004 | RIGHT WHEEL ENGINE HOSE | | |
| 5 | 92002000005 | RIGHT WHEEL ENGINE HOSE | | |
| 6 | 92002000002 | CENTRAL HOSE Ø20X2.5 | | |
| 7 | 92002000003 | RECOVERY TUBE Ø20X2.5 | | |
| 8 | 00111990109 | PLASTIC COLLAR | | |
| 9 | 00111400027 | ALLEN SCREW M8X50 | | |
| 10 | 00111250018 | NUT "CONEKLOK" M8 | | |
| 11 | 00111990121 | PLASTIC COLLAR | | |
| 12 | 00111400021 | ALLEN SCREW M8X20 | | |
| 13 | 92002000007 | LEFT WHEEL ENGINE TUBE | | |
| 14 | 92002000009 | LEFT WHEEL ENGINE TUBE | | |
| 15 | 92002000010 | LEFT WHEEL ENGINE TUBE | | |
| 16 | 00777600124 | ADAPTER 90° M/M 1/2 ADJUSTABLE | | |
| 17 | 00777600015 | NIPPLE 3/8 | | |
| 18 | 00777600003 | WASHER COPPER 3/8 | | |
| 19 | 00777600001 | WASHER COPPER 1/4 | | |
| 20 | 00777600040 | SIMPLE CABLE BOLT | | |
| 21 | 00777600050 | PLUG 1/4 | | |
| 22 | 95598470000 | NUT-WASHER-TONGUA KIT | | |
| 23 | 00111000177 | PIN 4X40 | | |
| 24 | 95598700000 | ARS WHEEL MOTOR OIL SEALS KIT | | |



| # | P/N | DESCRIPTION | GTS |
|----|-------------|--|-----|
| 1 | 92001260000 | DECK LIFTING ARM | |
| 2 | 91001000033 | SHAFT BLOCK | |
| 3 | 92001000032 | CYLINDER FORK-PIN | |
| 4 | 91001000018 | LIFTING PIN L=52 | |
| 5 | 92001000033 | DECK-LIFTING CYLINDER PIN | |
| 6 | 91001000035 | LIFR ARM SPACER | |
| 7 | 92002120029 | RECOVERY TUBE FOR PTO Ø20X2.5 | |
| 8 | 92002120028 | ENTRY HOSE PTO Ø20X2.5 | |
| 9 | 92001581000 | FRONT LIFTING CYLINDER GTS | |
| 10 | 91001000010 | PTO CONTROL DISTRIBUTOR | |
| 11 | 92001000002 | DISTRIBUTOR | |
| 12 | 95599000054 | DISTRIBUTOR WORKING LEVEL | |
| 13 | 00777600160 | FEMALE RAPID ATTACHMENT 1/2" | |
| 14 | 00777600164 | NIPLES 1/2 | |
| 15 | 00777600100 | EXTENSION M/M 1/4 L=35 | |
| 16 | 00777600001 | WASHER COPPER 1/4 | |
| 18 | 95001000055 | TRACTION DISC SPRING | |
| 19 | 92002120014 | HOSE 1/2 | |
| 20 | 92002120026 | HOSE 1/4 1SN OC1/4-F90° 1/4L=390 90° | |
| 21 | 92002120027 | HOSE 1/4 1SN OC3/8-F90° 1/4 L=430 90° | |
| 22 | 92002120009 | HOSE 1/2 | |
| 23 | 92002120023 | HOSE 1/4 1SN OC1/4-OC1/4 L=805 0° | |
| 24 | 92002120022 | HOSE 1/4 1SN OC1/4-OC1/4 L=570 135° | |
| 25 | 00777600138 | EXTENSION 1/4 L=35 | |
| 26 | 00777600147 | NIPPLE 1/4-3/8 2 ORIFICE | |
| 27 | 00777600039 | DOUBLE CABLE BOLT | |
| 28 | 00777600161 | MALE RAPID ATTACHMENT 1/2" | |
| 29 | 00777600162 | FEMALE RAPID ATTACHMENT 1/4 | |
| 30 | 00777600051 | VENT PLUG | |
| 31 | 00111000036 | GREASER M6 | |
| 32 | 00111000095 | SELF BLO. NUT M8 | |
| 33 | 00777600155 | PLUG 3/8 | |
| 34 | 00777600156 | NIPPLE 1/2 - 3/8 | |
| 35 | 00111000057 | SNAP RING D.20 E | |
| 36 | 00777600040 | SIMPLE CABLE BOLT | |
| 37 | 00777600133 | DOUBLE CABLE BOLT | |
| 38 | 00777600003 | WASHER COPPER 3/8 | |
| 39 | 00111700006 | PIN EL D.6X28 | |
| 40 | 92002120018 | HOSE 1/4 1SN OC1/4-F45° 1/4 L=1440 45° | |
| 41 | 00777600015 | NIPPLE 3/8 | |
| 42 | 00777600038 | WASHER BONDED 1/4 | |
| 43 | 00111300015 | SCREW TE M8X55 | |
| 44 | 00777600102 | FEMALE RAPID ATTACHMENT 1/4 | |
| 45 | 95598750000 | PTO DISTRIBUTOR GASKET KIT | |
| 46 | 95598760000 | DISTRIBUTOR GASKET KIT | |
| 47 | 00111970229 | TAPPO INNESTO RAPIDO FEMMINA 1/4 | |
| 48 | 95598960000 | OIL GASKETS KIT FOR GTS LIFTING CILINDER | |
| 49 | 00111530008 | BUSHING FRIMET TFP 20X22X15 | |

GTS



#

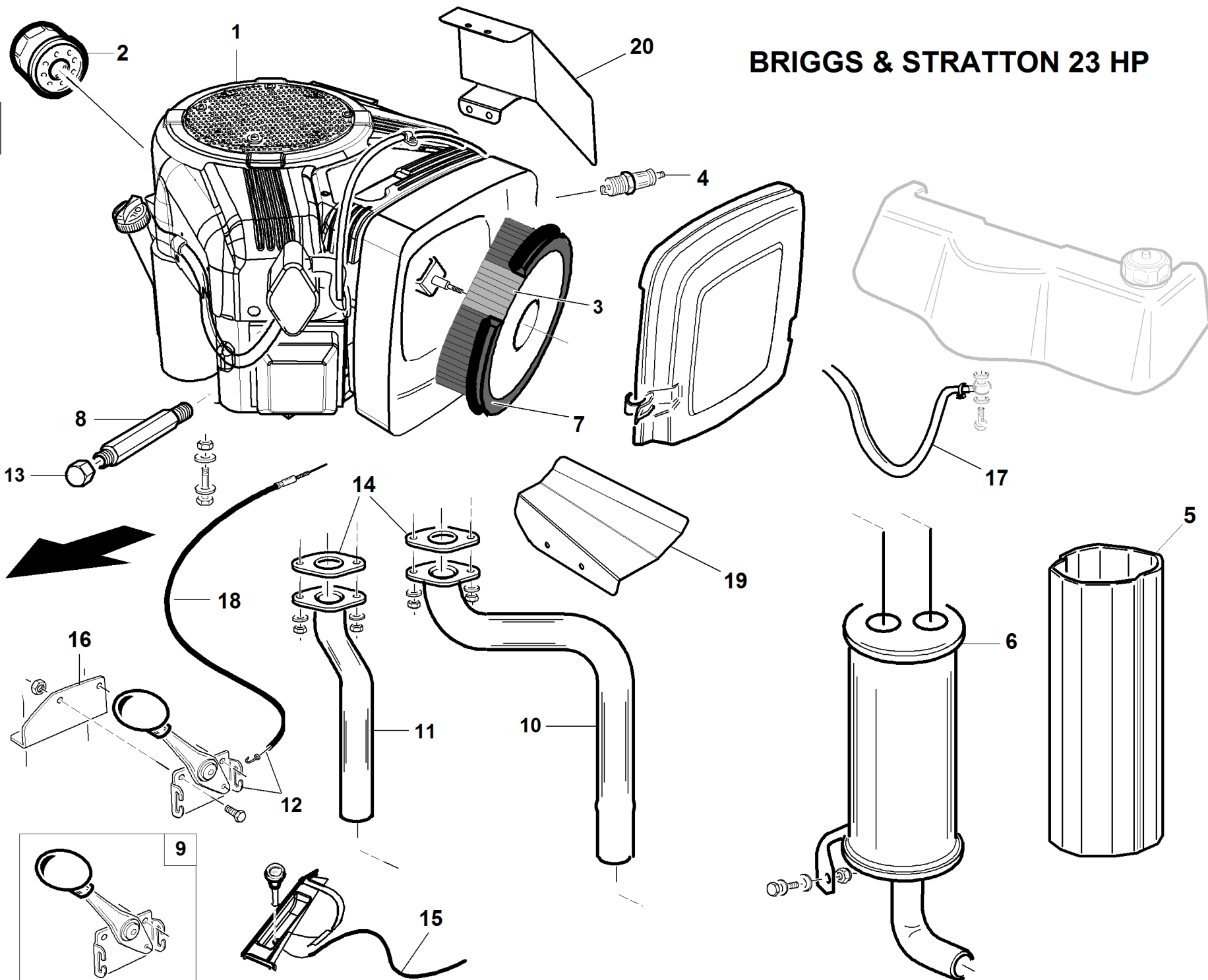
P/N

DESCRIPTION

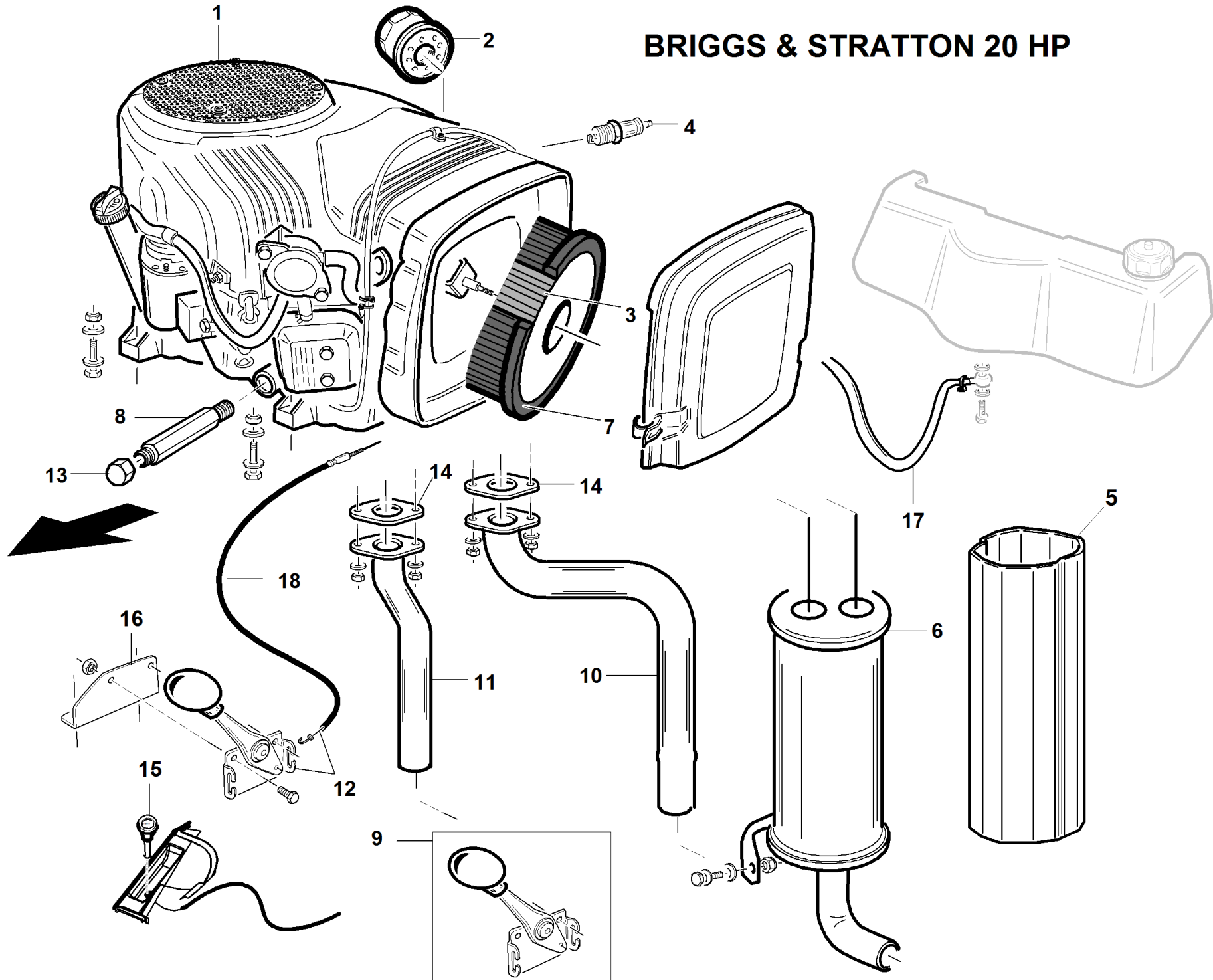
GTS

REF. 06 - 00555501306

| | | | |
|----|-------------|--------------------------------|--|
| 1 | 00777700032 | B&S 16HP TWIN-CYLINDER ENGINE | |
| 2 | 00777650001 | OIL FILTER 9/18 HP | |
| 3 | 00777650002 | AIR FILTER CARTRIDGE | |
| 4 | 00777750001 | SPARK PLUG 491055 | |
| 5 | 92001470000 | EXHAUST PROTECTION COMPL. | |
| 6 | 92001300000 | GTS160/200 EXHAUST KIT | |
| 7 | 00777650003 | B&S 16HP PRE-FILTER | |
| 8 | 92001000056 | OIL RELIEFG EXTENSION | |
| 9 | 00111990104 | THROTTLE LEVER WITH BLACK KNOB | |
| 10 | 92001300003 | EXHAUST COLLECTOR | |
| 11 | 92001300002 | EXHAUST COLLECTOR | |
| 12 | 92001200000 | LEVER WITH CABLE | |
| 13 | 00777600170 | ROTATING CAP 3/8 | |
| 14 | 00111990009 | EXHAUST GASKET | |
| 15 | 92001000029 | STARTER CABLE | |
| 16 | 94500000042 | ACCELERATOR SUPPORT | |
| 17 | 92001000059 | | |
| 18 | 00111810010 | CLAMP 10-16 TYPE NORMA | |
| 19 | 00777600001 | WASHER COPPER 1/4 | |
| 20 | 00777600040 | SIMPLE CABLE BOLT | |
| 21 | 00777600183 | METAL EYELET 1/4 | |
| 22 | 92001200001 | | |

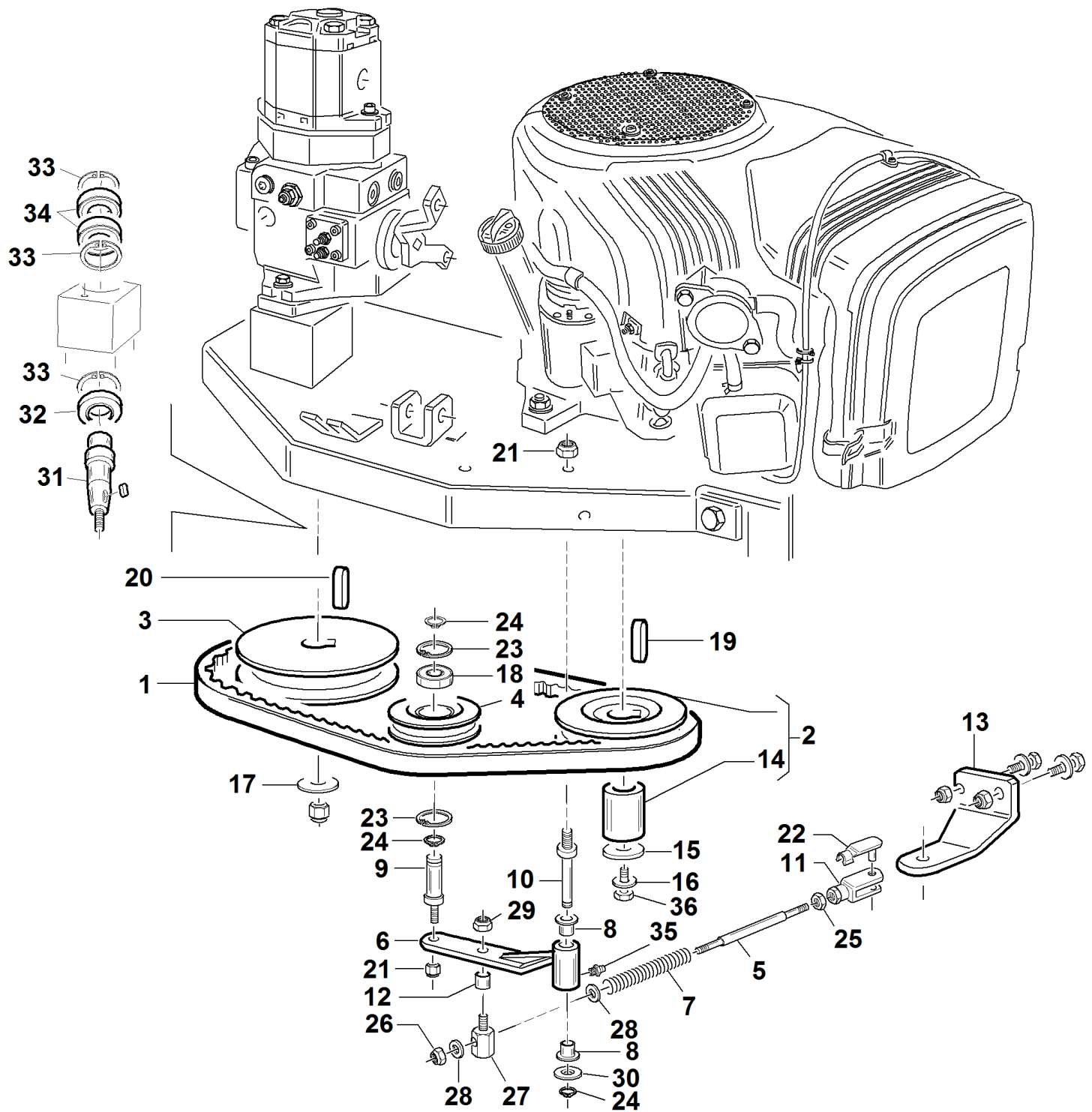


| # | P/N | DESCRIPTION | GTS |
|----|-------------|--------------------------------|-----|
| 1 | 00777700038 | B&S 23HP VERTICAL SHAFT ENGINE | |
| 2 | 00777650001 | OIL FILTER 9/18 HP | |
| 3 | 00777650070 | B&S 20HP FILTER CARTRIDGE | |
| 4 | 00777750001 | SPARK PLUG 491055 | |
| 5 | 92001470000 | EXHAUST PROTECTION COMPL. | |
| 6 | 92001300001 | GTS PETROL ENGINE MUFFLER | |
| 7 | 00777650071 | B&S 20HP PRE-FILTER | |
| 8 | 92001000056 | OIL RELIEFG EXTENSION | |
| 9 | 00111990104 | THROTTLE LEVER WITH BLACK KNOB | |
| 10 | 92011140001 | REAR EXAHUST MANIFOLD | |
| 11 | 92011140002 | FRONT EXAHUST MANIFOLD | |
| 12 | 92001200000 | LEVER WITH CABLE | |
| 13 | 00777600170 | ROTATING CAP 3/8 | |
| 14 | 00111990148 | B&S 21-23HP EXHAUST GASKET | |
| 15 | 92001000029 | STARTER CABLE | |
| 16 | 92001000041 | ACCELERATOR LEVER SUPPORT | |
| 17 | 92001000059 | | |
| 18 | 92001200001 | | |
| 19 | 92011000004 | EXHAUST MANIFOLD HEAT COVER | |
| 20 | 92011000005 | OIL COOLER HEAT COVER | |



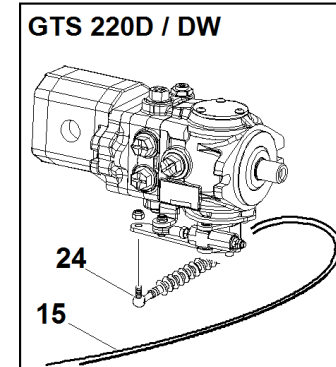
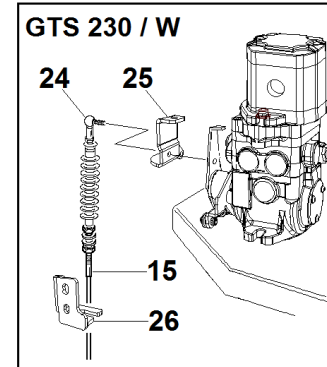
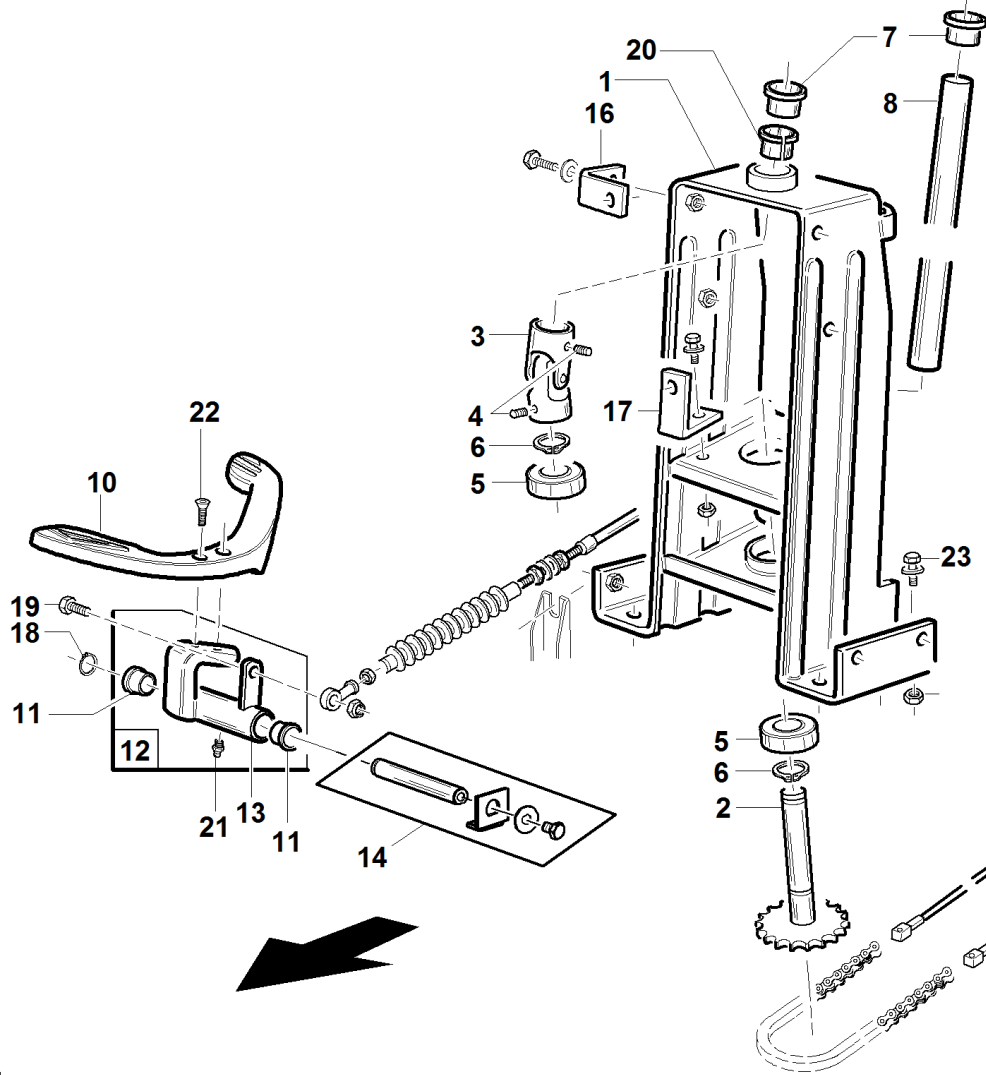
| # | P/N | DESCRIPTION | GTS |
|----|-------------|--------------------------------|-----|
| 1 | 00777700033 | B&S 20HP TWIN-CYLINDER ENGINE | |
| 2 | 00777650001 | OIL FILTER 9/18 HP | |
| 3 | 00777650070 | B&S 20HP FILTER CARTRIDGE | |
| 4 | 00777750001 | SPARK PLUG 491055 | |
| 5 | 92001470000 | EXHAUST PROTECTION COMPL. | |
| 6 | 92001300000 | GTS160/200 EXHAUST KIT | |
| 7 | 00777650071 | B&S 20HP PRE-FILTER | |
| 8 | 92001000056 | OIL RELIEFG EXTENSION | |
| 9 | 00111990104 | THROTTLE LEVER WITH BLACK KNOB | |
| 10 | 92001300003 | EXHAUST COLLECTOR | |
| 11 | 92001300002 | EXHAUST COLLECTOR | |
| 12 | 92001200000 | LEVER WITH CABLE | |
| 13 | 00777600170 | ROTATING CAP 3/8 | |
| 14 | 00111990009 | EXHAUST GASKET | |
| 15 | 92001000029 | STARTER CABLE | |
| 16 | 92001000041 | ACCELERATOR LEVER SUPPORT | |
| 17 | 92001000059 | | |
| 18 | 92001200001 | | |

| # | P/N | DESCRIPTION | GTS |
|----|-------------|--------------------------------|-----|
| 1 | 00111980037 | GATES POWER II XPA 1030 BELT | |
| 2 | 92011000001 | PUMP PULLEY | |
| 3 | 92001000016 | BELT TIGHTENER | |
| 4 | 92001000021 | LEVER STAFF BELT TIGHTENER | |
| 5 | 94500190000 | TIGHTENER BELT LEVER | |
| 6 | 95200000002 | ENGINE BELT TIGHTENER SPRING | |
| 7 | 95001000060 | BRASS BUSHING | |
| 8 | 92001000019 | BELT TIGHTENING PIN | |
| 9 | 92001000018 | BELT TIGHTENING PIN | |
| 10 | 00777180002 | FORK IN M8 | |
| 11 | 00111530009 | BUSHING FRIMET Ø10X7 TFF1007 | |
| 12 | 92001000020 | | |
| 13 | 92001000022 | ENGINE PULLEY FIXING SPACER | |
| 14 | 00111500003 | WASHER 12X36X3 | |
| 15 | 00111550007 | WASHER M12 | |
| 16 | 00111000132 | WASHER P. 8,4X32X2,5 ZNT | |
| 17 | 00777100032 | KOYO BEARING 6003 2RS 17X35X10 | |
| 18 | 00111900022 | TONGUE 1/4 X 1/4 X 14,5 | |
| 19 | 00111250008 | SELF BL. NUT M12 | |
| 20 | 00777180001 | FORKED PIN D.8 | |
| 21 | 00111650005 | SNAP RING D.35 I | |
| 22 | 00111650004 | SNAP RING D.15 E | |
| 23 | 00111000082 | NUT M8 | |
| 24 | 00111000071 | SELF BLO. NUT M8 | |
| 25 | 94010820000 | SPRING TENSION DRILL ROD | |
| 26 | 00111000087 | WASHER P.8,4X15.6X1,5 | |
| 27 | 00111000080 | SELF BLO. SCREW M10 | |
| 28 | 00111500004 | WASHER 15,2X28X2.5 | |
| 29 | 00111000036 | GREASER M6 | |
| 30 | 00111300089 | SCREW TE 7/16X35 | |
| 31 | 92001000012 | ENGINE PULLEY | |
| 32 | 00111450003 | SCREW WASHER M8X20 | |



| # | P/N | DESCRIPTION | GTS |
|----|-------------|----------------------------------|-----|
| 1 | 00111980036 | BELT GATES XPA 1060 | |
| 2 | 95599000059 | PULLEY KIT + ENGINE SPACER (GTS) | |
| 3 | 92001000014 | PUMP PULLEY | |
| 4 | 92001000016 | BELT TIGHTENER | |
| 5 | 92001000021 | LEVER STAFF BELT TIGHTENER | |
| 6 | 94500190000 | TIGHTENER BELT LEVER | |
| 7 | 95222000002 | BELT-TIGHTENER ADJUSTMENT SPRING | |
| 8 | 95001000060 | BRASS BUSHING | |
| 9 | 92001000019 | BELT TIGHTENING PIN | |
| 10 | 92001000018 | BELT TIGHTENING PIN | |
| 11 | 00777180002 | FORK IN M8 | |
| 12 | 00111530009 | BUSHING FRIMET Ø10X7 TFF1007 | |
| 13 | 92001000020 | | |
| 14 | 92001000022 | ENGINE PULLEY FIXING SPACER | |
| 15 | 00111500003 | WASHER 12X36X3 | |
| 16 | 00111550007 | WASHER M12 | |
| 17 | 00111500031 | WASHER P. 14X36X3 | |
| 18 | 00777100032 | KOYO BEARING 6003 2RS 17X35X10 | |
| 19 | 00111900022 | TONGUE 1/4 X 1/4 X 14,5 | |
| 20 | 00111900006 | TONGUE A 6X6X18 | |
| 21 | 00111250008 | SELF BL. NUT M12 | |
| 22 | 00777180001 | FORKED PIN D.8 | |
| 23 | 00111650005 | SNAP RING D.35 I | |
| 24 | 00111650004 | SNAP RING D.15 E | |
| 25 | 00111000082 | NUT M8 | |
| 26 | 00111000071 | SELF BLO. NUT M8 | |
| 27 | 94010820000 | SPRING TENSION DRILL ROD | |
| 28 | 00111000087 | WASHER P.8,4X15.6X1,5 | |
| 29 | 00111000080 | SELF BLO. SCREW M10 | |
| 30 | 00111500004 | WASHER 15,2X28X2.5 | |
| 31 | 91001000008 | PULLEY SHAFT | |
| 32 | 00777250031 | SEAL WASHER AS 30X62X7 | |
| 33 | 00111650029 | SNAP RING D.62 | |
| 34 | 00777100024 | BEARING CLA 6206 0X62X16 | |
| 35 | 00111000036 | GREASER M6 | |
| 36 | 00111300089 | SCREW TE 7/16X35 | |

GTS

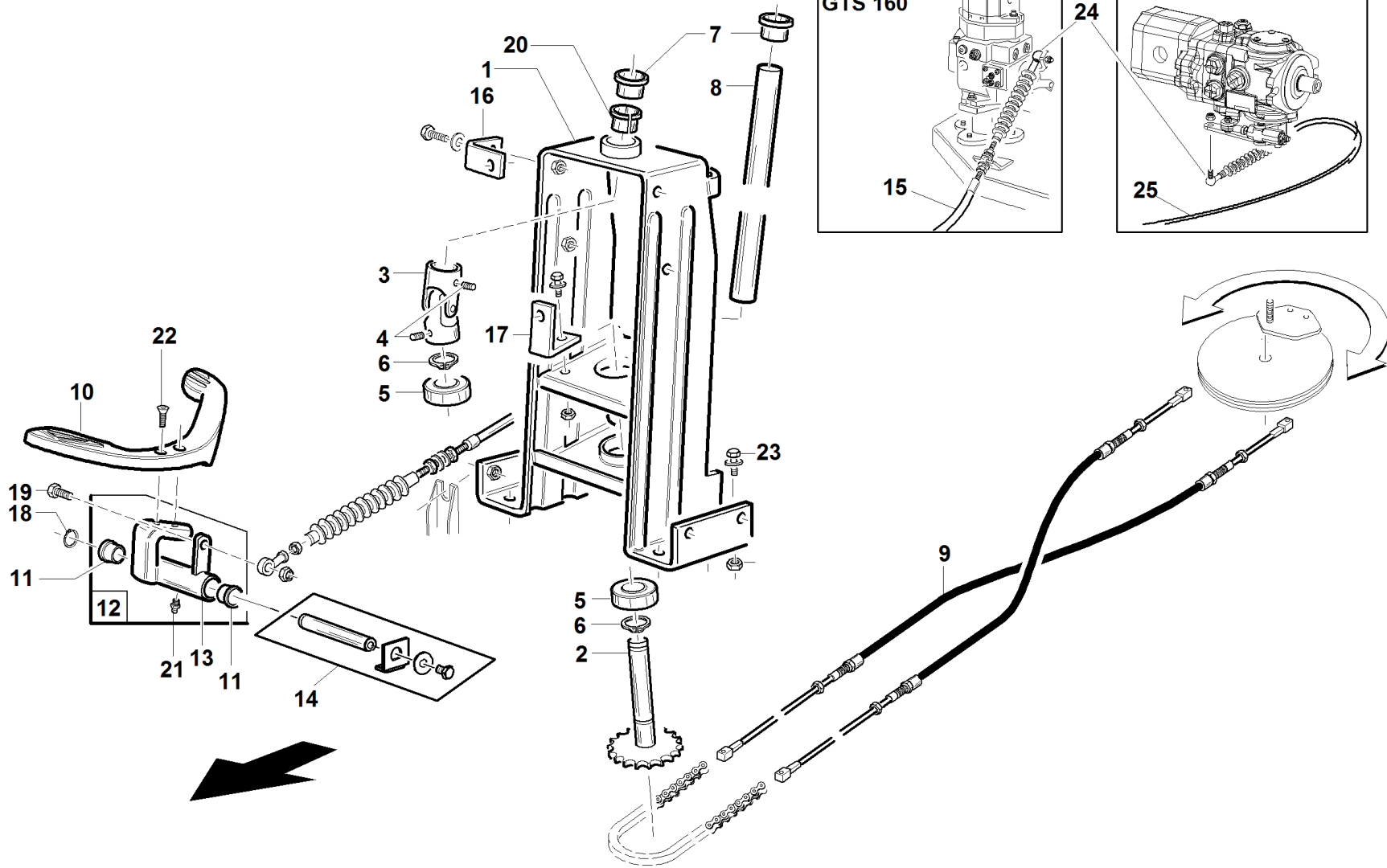


S/N
→1310001

REF.09 - 00555501349

| # | P/N | DESCRIPTION | GTS |
|----|-------------|---------------------------------|-----|
| 1 | 94500260000 | STEERING COLUMN | |
| 2 | 92001000027 | PINION SHAFT | |
| 3 | 00777200002 | STEERING JOINT | |
| 4 | 00111000147 | PIN EL D.5X30 | |
| 5 | 00777100008 | BEARING 6204 2RS 20x47x14 | |
| 6 | 00111000057 | SNAP RING D.20 E | |
| 7 | 95500000029 | BUSHING STEERING | |
| 8 | 95500000023 | STEERING WHEEL SHAFT | |
| 9 | 92001000031 | COMPLETE STEERING CABLE | |
| 10 | 95533000003 | ACCELERATOR PEDAL | |
| 11 | 95001000060 | BRASS BUSHING | |
| 12 | 92001540000 | ACCELERATOR PEDAL SUPPORT | |
| 13 | 92001330000 | ACCELERATOR PEDAL SUPPORT | |
| 14 | 95597270000 | PEDAL PIN KIT | |
| 15 | 92006000012 | ADVANCEMENT CABLE GTSD | |
| 16 | 92001360000 | UPPER TERMINAL BOARD SUPP. | |
| 17 | 92001370000 | LOWER TERMINAL BOARD SUPPORT | |
| 18 | 00111650004 | SNAP RING D.15 E | |
| 19 | 00111300008 | SCREW TE M8X25 | |
| 20 | 00111990017 | BUSHING WITH EDGE TFF 20/16,5 | |
| 21 | 00111000036 | GREASER M6 | |
| 22 | 00111350022 | SCREW TSPEI M8X30 ZNT | |
| 23 | 00111000059 | FAKE SCREW/WASH. M8X14 | |
| 24 | 00777200026 | ROUND JOINT M6 | |
| 25 | 92011000002 | PUMP CONTROL EXTENDED LEVER | |
| 26 | 92011000003 | ADVACEMENT CABLE FIXING BRACKET | |

GTS

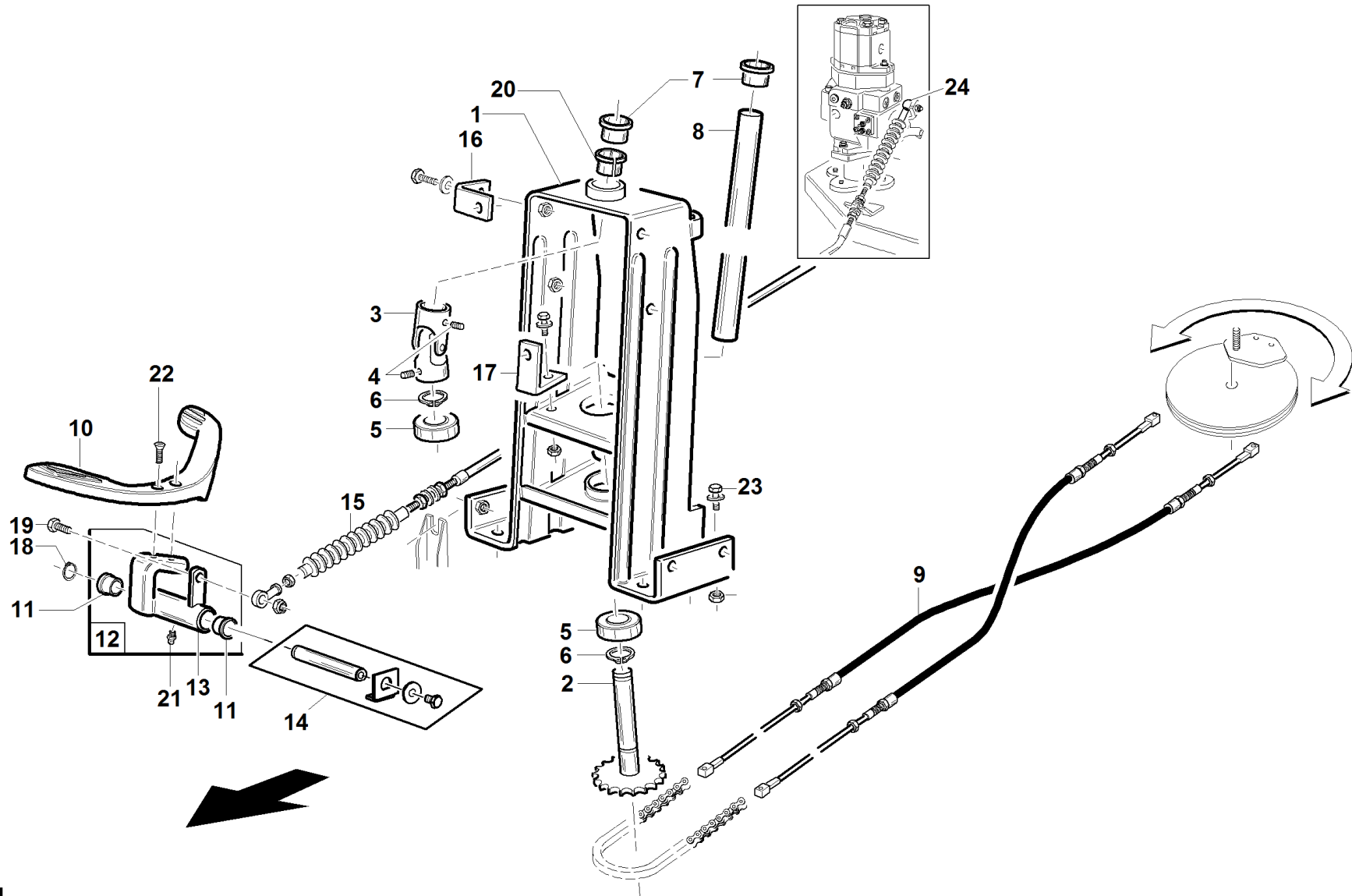


S/N
→ **1003053**

REF. 09 - 00555501323

| # | P/N | DESCRIPTION | GTS |
|----|-------------|-------------------------------|-----|
| 1 | 94500260000 | STEERING COLUMN | |
| 2 | 92001000027 | PINION SHAFT | |
| 3 | 00777200002 | STEERING JOINT | |
| 4 | 00111000147 | PIN EL D.5X30 | |
| 5 | 00777100008 | BEARING 6204 2RS 20x47x14 | |
| 6 | 00111000057 | SNAP RING D.20 E | |
| 7 | 95500000029 | BUSHING STEERING | |
| 8 | 95500000023 | STEERING WHEEL SHAFT | |
| 9 | 92001000031 | COMPLETE STEERING CABLE | |
| 10 | 95533000003 | ACCELERATOR PEDAL | |
| 11 | 95001000060 | BRASS BUSHING | |
| 12 | 92001540000 | ACCELERATOR PEDAL SUPPORT | |
| 13 | 92001330000 | ACCELERATOR PEDAL SUPPORT | |
| 14 | 95597270000 | PEDAL PIN KIT | |
| 15 | 92001000028 | ADVANCEMENT CABLE | |
| 16 | 92001360000 | UPPER TERMINAL BOARD SUPP. | |
| 17 | 92001370000 | LOWER TERMINAL BOARD SUPPORT | |
| 18 | 00111650004 | SNAP RING D.15 E | |
| 19 | 00111300008 | SCREW TE M8X25 | |
| 20 | 00111990017 | BUSHING WITH EDGE TFF 20/16,5 | |
| 21 | 00111000036 | GREASER M6 | |
| 22 | 00111350022 | SCREW TSPEI M8X30 ZNT | |
| 23 | 00111000059 | FAKE SCREW/WASH. M8X14 | |
| 24 | 00777200026 | ROUND JOINT M6 | |
| 25 | 92006000012 | ADVANCEMENT CABLE GTSD | |

GTS



S/N

→ **0811001 ÷ 1003052** ←

REF.09 - 00555501308

#

P/N

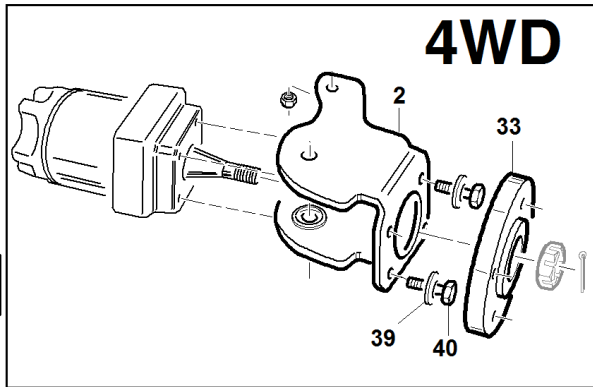
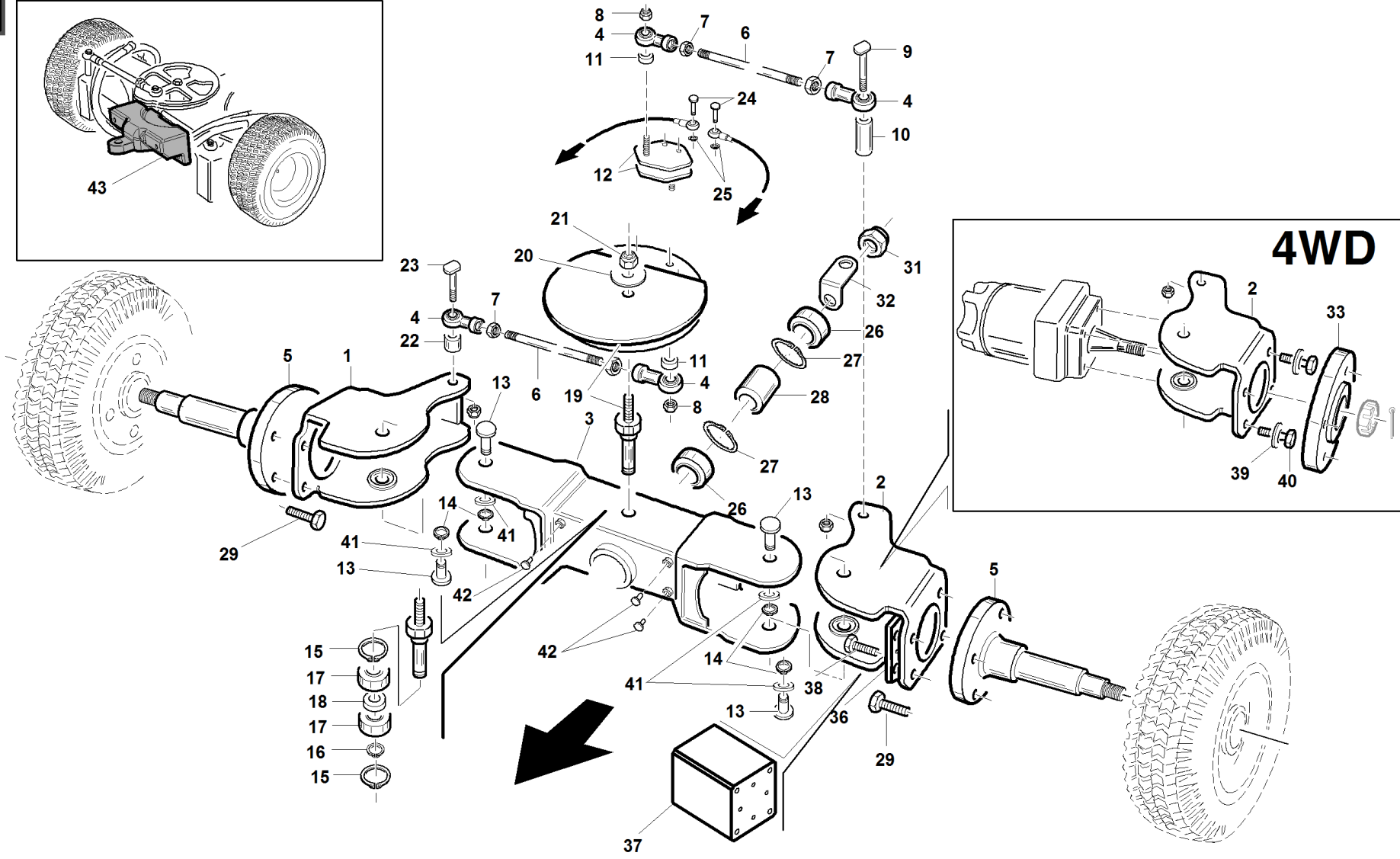
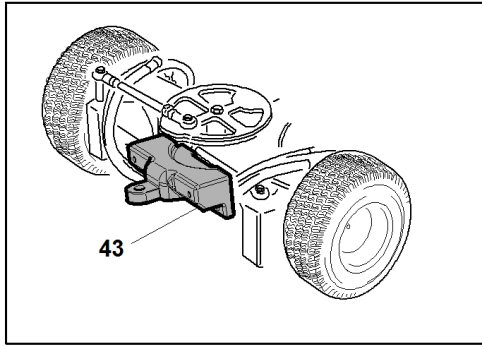
DESCRIPTION

GTS

REF. 09 - 00555501308

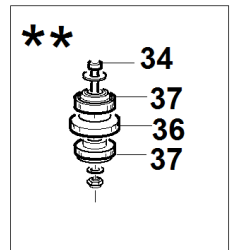
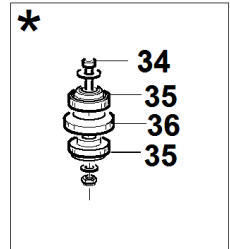
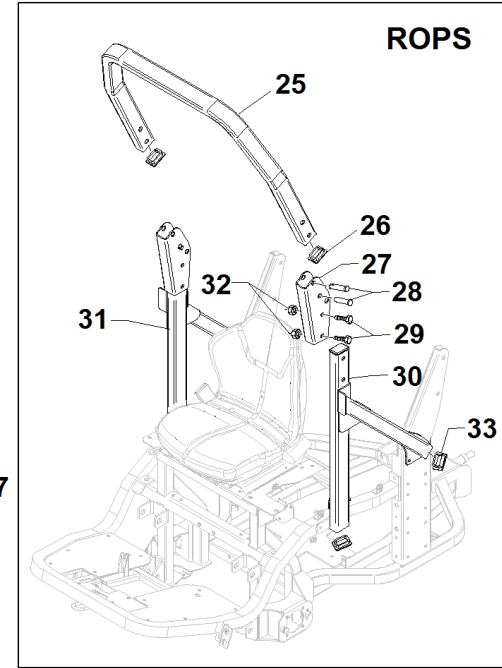
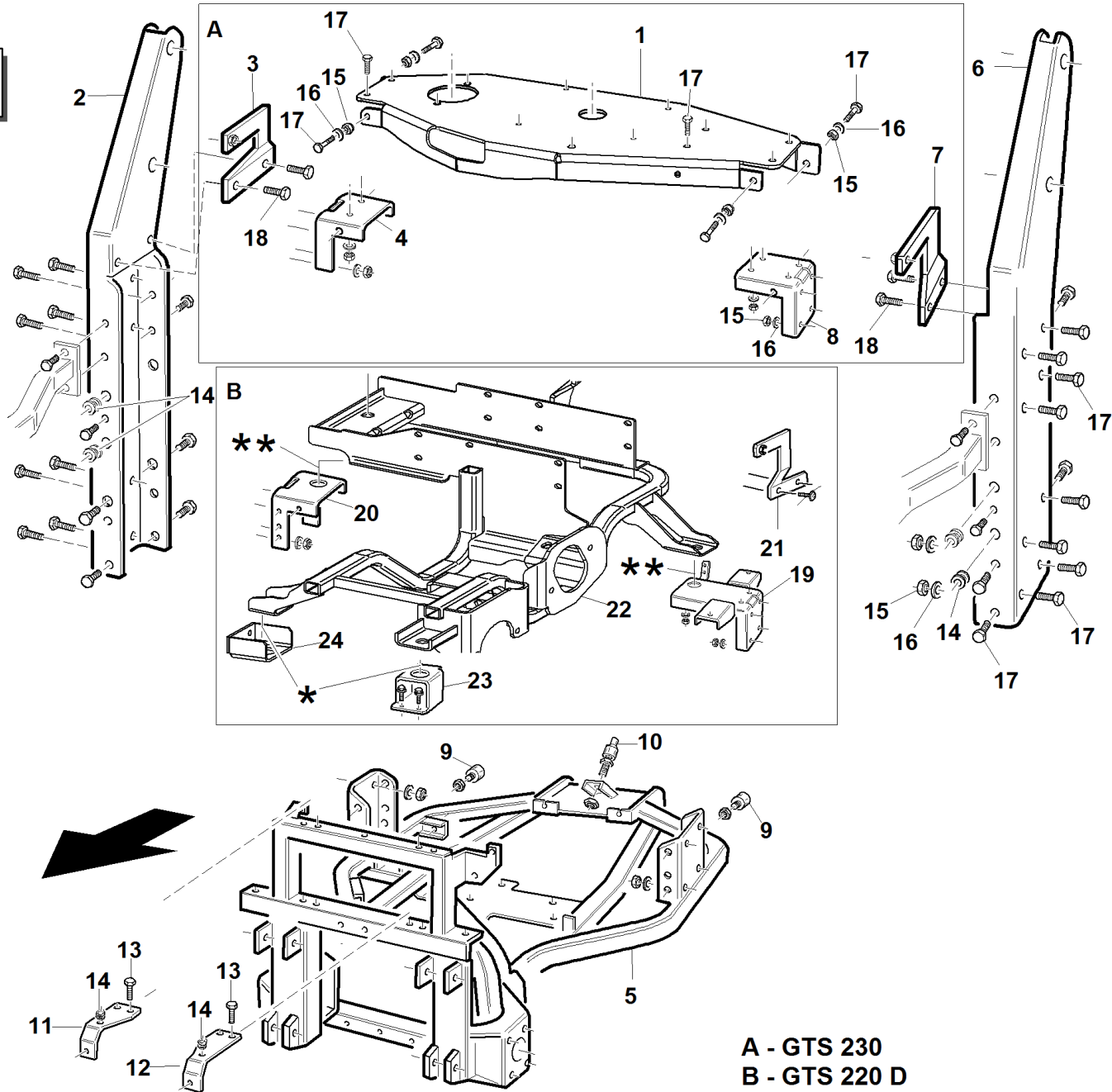
| | | | |
|----|-------------|-------------------------------|--|
| 1 | 94500260000 | STEERING COLUMN | |
| 2 | 92001000027 | PINION SHAFT | |
| 3 | 00777200002 | STEERING JOINT | |
| 4 | 00111000147 | PIN EL D.5X30 | |
| 5 | 00777100008 | BEARING 6204 2RS 20x47x14 | |
| 6 | 00111000057 | SNAP RING D.20 E | |
| 7 | 95500000029 | BUSHING STEERING | |
| 8 | 95500000023 | STEERING WHEEL SHAFT | |
| 9 | 92001000031 | COMPLETE STEERING CABLE | |
| 10 | 95533000003 | ACCELERATOR PEDAL | |
| 11 | 95001000060 | BRASS BUSHING | |
| 12 | 92001540000 | ACCELERATOR PEDAL SUPPORT | |
| 13 | 92001330000 | ACCELERATOR PEDAL SUPPORT | |
| 14 | 95597270000 | PEDAL PIN KIT | |
| 15 | 92001000028 | ADVANCEMENT CABLE | |
| 16 | 92001360000 | UPPER TERMINAL BOARD SUPP. | |
| 17 | 92001370000 | LOWER TERMINAL BOARD SUPPORT | |
| 18 | 00111650004 | SNAP RING D.15 E | |
| 19 | 00111300008 | SCREW TE M8X25 | |
| 20 | 00111990017 | BUSHING WITH EDGE TFF 20/16,5 | |
| 22 | 00111350022 | SCREW TSPEI M8X30 ZNT | |
| 23 | 00111000059 | FAKE SCREW/WASH. M8X14 | |
| 21 | 00111000036 | GREASER M6 | |
| 24 | 00777200026 | ROUND JOINT M6 | |

GTS



| # | P/N | DESCRIPTION | GTS |
|----|-------------|--------------------------------|-----|
| 1 | 92001450000 | LEFT REAR WHEEL-ROTOR SUPPORT | |
| 2 | 92001190000 | RIGHT REAR WHEEL-ROTOR SUPPORT | |
| 3 | 92002102000 | REAR COMPLETE AXLE | |
| 4 | 00777200019 | SPHEROX TF12 RIGHT | |
| 5 | 95311160001 | WHEEL SHAFT 2WD | |
| 6 | 92002100013 | TIE ROD STEERINGH | |
| 7 | 00111150012 | NUT M12 | |
| 8 | 00111250002 | SELF BL. NUT M12 | |
| 9 | 92002100012 | STEERING PIN L=103.5 | |
| 10 | 92002100011 | SPACER D12X20H=62.4 | |
| 11 | 92002100002 | SPACER Ø12X20 H=5 | |
| 12 | 92002101000 | STEERING SHAPED PLATE | |
| 13 | 92002100001 | REAR AXLE FORK PIN | |
| 14 | 00111650034 | SNAP RING D.17 E | |
| 15 | 00111650005 | SNAP RING D.35 I | |
| 16 | 00111650014 | SNAP RING D.17 E | |
| 17 | 00777100010 | BEARING 6003 2RS 17X35X10 | |
| 18 | 92002100005 | SPACER Ø22.5X17.5 H=4.7 | |
| 19 | 95598370000 | STEERING FIFTH WHEEL+ PIN | |
| 20 | 00111000170 | WASHER 17X30X3 | |
| 21 | 00111250003 | SELF BL. NUT M16 | |
| 22 | 92002100006 | SPACER Ø12X20 H=18.3 ZNT | |
| 23 | 92002100010 | STEERING PIN L=59.5 | |
| 24 | 92002100007 | STEERING CABLE PIN | |
| 25 | 00111650033 | SNAP RING E X Ø6 | |
| 26 | 00777100012 | BEARING 6006 2RS 30X55X13 | |
| 27 | 00111650035 | SNAP RING I X Ø55 | |
| 28 | 92002100008 | REAR AXLE BEARING SPACER | |
| 29 | 00111000103 | SCREW TE M10X30 | |
| 31 | 00111250007 | SELF BL. NUT M20X1.5 | |
| 32 | 94500000073 | HOOK | |
| 33 | 92002000008 | WHEEL HUB 4 HOLES D.85 | |
| 36 | 92003000002 | | |
| 37 | 92003000003 | BALLAST | |
| 38 | 00111300052 | SCREW TE UNI 5739 | |
| 39 | 00111550005 | WASHER M10 | |
| 40 | 00111000076 | SCREW TE M10X25 | |
| 41 | 92002100003 | SPACER Ø17.2XØ30X1.5 | |
| 42 | 00111970095 | KNOB -81205- | |
| 43 | 92113000000 | | |

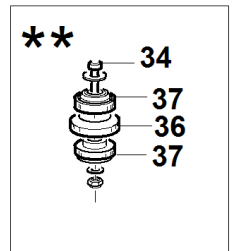
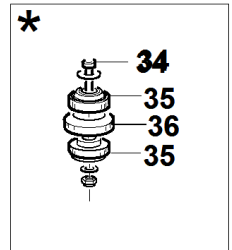
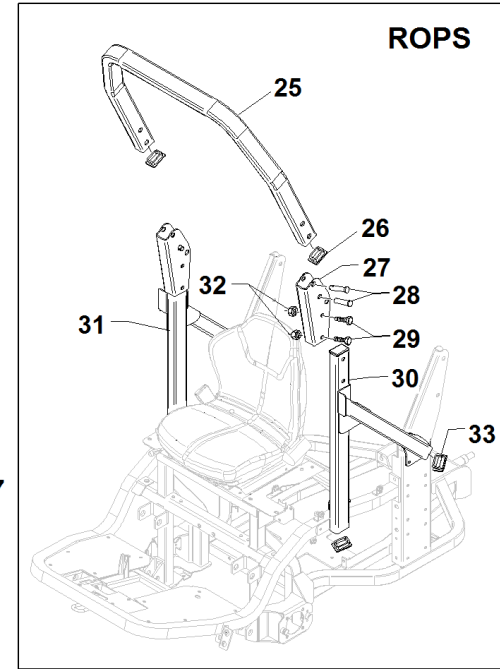
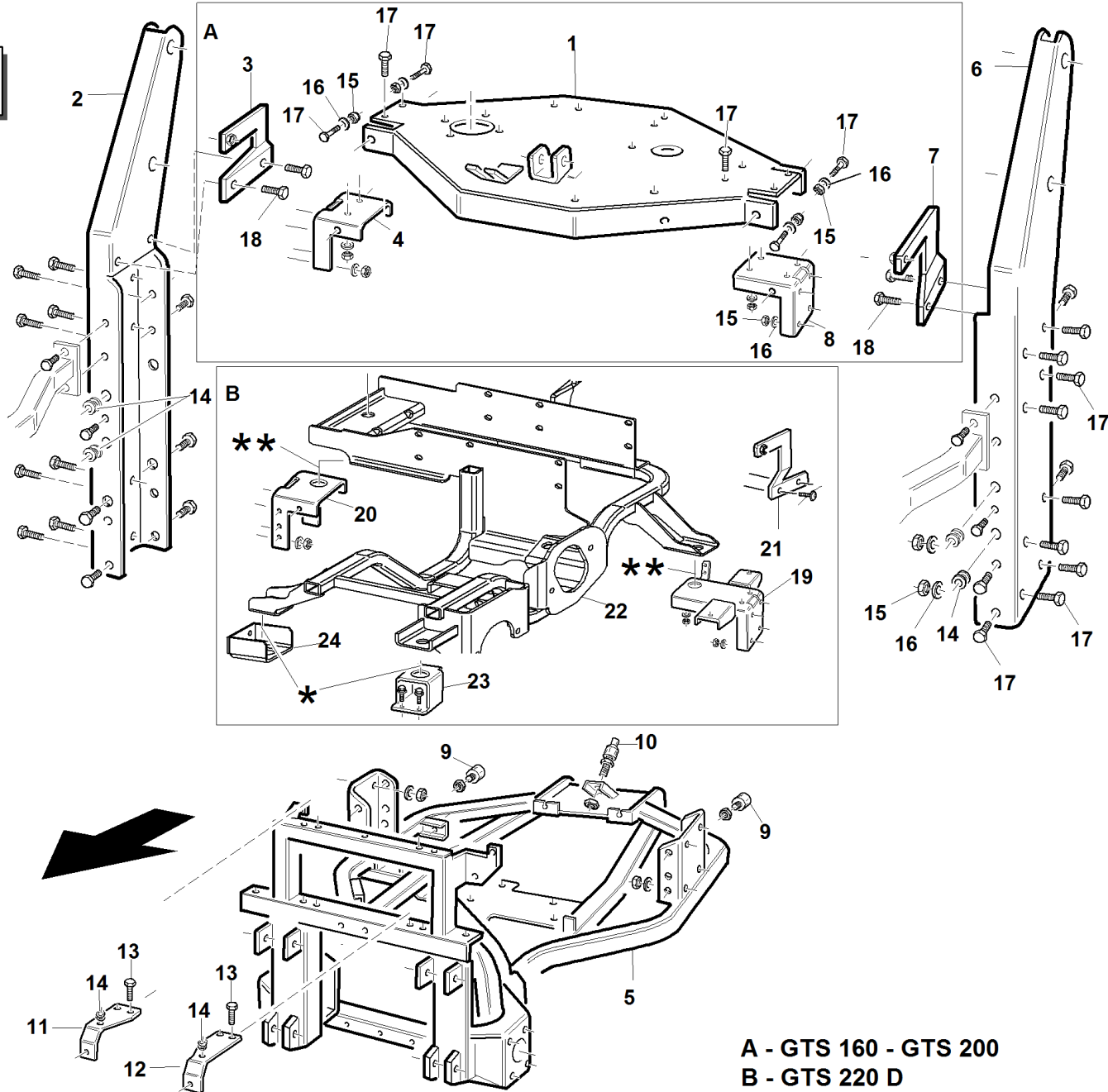
GTS



**A - GTS 230
B - GTS 220 D**

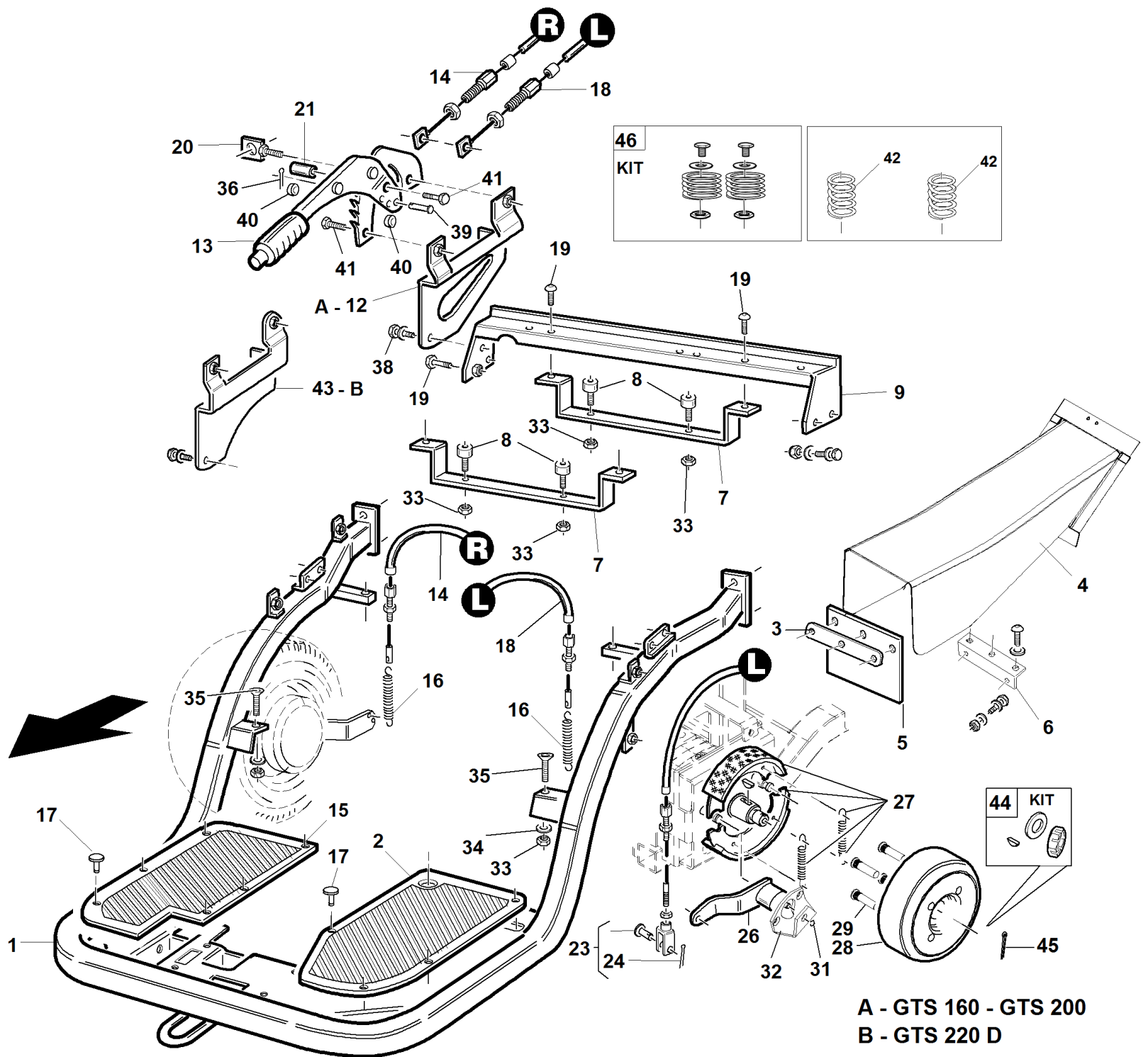
| # | P/N | DESCRIPTION | GTS |
|----|-------------|---|-----|
| 1 | 92011100000 | ENGINE SUPPORT FRAME | |
| 2 | 94500330000 | RIGHT OVERTURNING HOPPER COLUMN | |
| 3 | 92001340000 | LEFT ENGINE HOOD SUPPORT | |
| 4 | 92004120000 | | |
| 5 | 92001100000 | GTS FRAME | |
| 6 | 94500340000 | LEFT OVERTURNING HOPPER COLUMN | |
| 7 | 92001350000 | ENGINE HOOD LEFT SUPPORT | |
| 8 | 92004130000 | | |
| 9 | 00111970179 | VIBRATION-DAMPING STOPPER | |
| 10 | 94500000062 | LOCKING HOPPER PIN | |
| 11 | 92001400000 | RIGHT TANK SUPPORT PLATE | |
| 12 | 92001390000 | TANK SUPP.PLATE LEFT | |
| 13 | 00111450003 | SCREW WASHER M8X20 | |
| 14 | 00111970066 | CABLE HOLDER D.I.9 | |
| 15 | 00111250014 | SELF BL. NUT M8 | |
| 16 | 00111000087 | WASHER P.8,4X15.6X1,5 | |
| 17 | 00111300061 | SCREW TE M8X20 | |
| 18 | 00111000059 | FAKE SCREW/WASH. M8X14 | |
| 19 | 92006210000 | ENGINE LEFT SUPPORT BRACKET | |
| 20 | 92006250000 | | |
| 21 | 92006220000 | LEFT ENGINE HOOD SUPPORT | |
| 22 | 92006190000 | ENGINE SUPPORT FRAME | |
| 23 | 92006000015 | SX FRONT VIBRATION-DAMPING FIX. BRACKET | |
| 24 | 92006000017 | DX FRONT VIBRATION-DAMPING FIX. BRACKET | |
| 25 | 92108120000 | | |
| 26 | 00111970212 | RETTANGULAR PLASTIC CAP | |
| 27 | 92108000001 | ROPS ARTICULATION | |
| 28 | 92108000003 | PIN Ø16X62 | |
| 29 | 00111300076 | SCREW | |
| 30 | 92108200000 | | |
| 31 | 92108100000 | | |
| 32 | 00111000175 | PIN "R" D.4 | |
| 33 | 00111970181 | RECTANGULAR PUSH ROD 50X30 | |
| 34 | 00111400047 | SCREW TCEI M16X110 | |
| 35 | 00111970225 | DAMPER MDS66/4020-55 | |
| 36 | 91001000002 | SPACER SP=16 | |
| 37 | 00111970189 | VIBRATION-DAMPING STOPPER MDS80/3820-65 | |

GTS



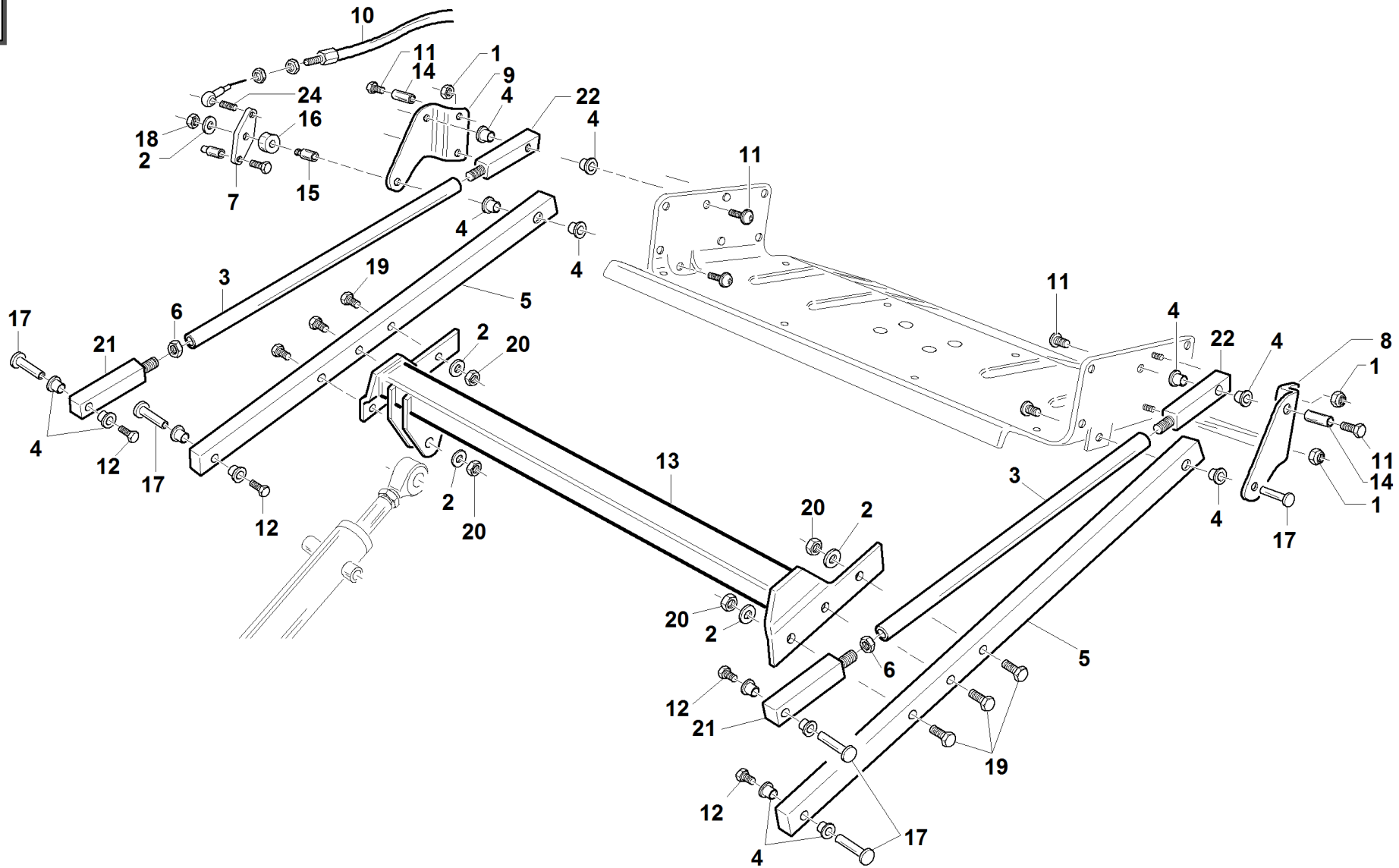
**A - GTS 160 - GTS 200
B - GTS 220 D**

| # | P/N | DESCRIPTION | GTS |
|----|-------------|---|-----|
| 1 | 92001440000 | COMPL. ENGINE SUPPORT | |
| 2 | 94500330000 | RIGHT OVERTURNING HOPPER COLUMN | |
| 3 | 92001340000 | LEFT ENGINE HOOD SUPPORT | |
| 4 | 92004120000 | | |
| 5 | 92001100000 | GTS FRAME | |
| 6 | 94500340000 | LEFT OVERTURNING HOPPER COLUMN | |
| 7 | 92001350000 | ENGINE HOOD LEFT SUPPORT | |
| 8 | 92004130000 | | |
| 9 | 00111970179 | VIBRATION-DAMPING STOPPER | |
| 10 | 94500000062 | LOCKING HOPPER PIN | |
| 11 | 92001400000 | RIGHT TANK SUPPORT PLATE | |
| 12 | 92001390000 | TANK SUPP.PLATE LEFT | |
| 13 | 00111450003 | SCREW WASHER M8X20 | |
| 14 | 00111970066 | CABLE HOLDER D.I.9 | |
| 15 | 00111250014 | SELF BL. NUT M8 | |
| 16 | 00111000087 | WASHER P.8,4X15.6X1,5 | |
| 17 | 00111300061 | SCREW TE M8X20 | |
| 18 | 00111000059 | FAKE SCREW/WASH. M8X14 | |
| 19 | 92006210000 | ENGINE LEFT SUPPORT BRACKET | |
| 20 | 92006250000 | | |
| 21 | 92006220000 | LEFT ENGINE HOOD SUPPORT | |
| 22 | 92006190000 | ENGINE SUPPORT FRAME | |
| 23 | 92006000015 | SX FRONT VIBRATION-DAMPING FIX. BRACKET | |
| 24 | 92006000017 | DX FRONT VIBRATION-DAMPING FIX. BRACKET | |
| 25 | 92108120000 | | |
| 26 | 00111970212 | RETTANGULAR PLASTIC CAP | |
| 27 | 92108000001 | ROPS ARTICULATION | |
| 28 | 92108000003 | PIN Ø16X62 | |
| 29 | 00111300076 | SCREW | |
| 30 | 92108200000 | | |
| 31 | 92108100000 | | |
| 32 | 00111000175 | PIN "R" D.4 | |
| 33 | 00111970181 | RECTANGULAR PUSH ROD 50X30 | |
| 34 | 00111400047 | SCREW TCEI M16X110 | |
| 35 | 00111970225 | DAMPER MDS66/4020-55 | |
| 36 | 91001000002 | SPACER SP=16 | |
| 37 | 00111970189 | VIBRATION-DAMPING STOPPER MDS80/3820-65 | |



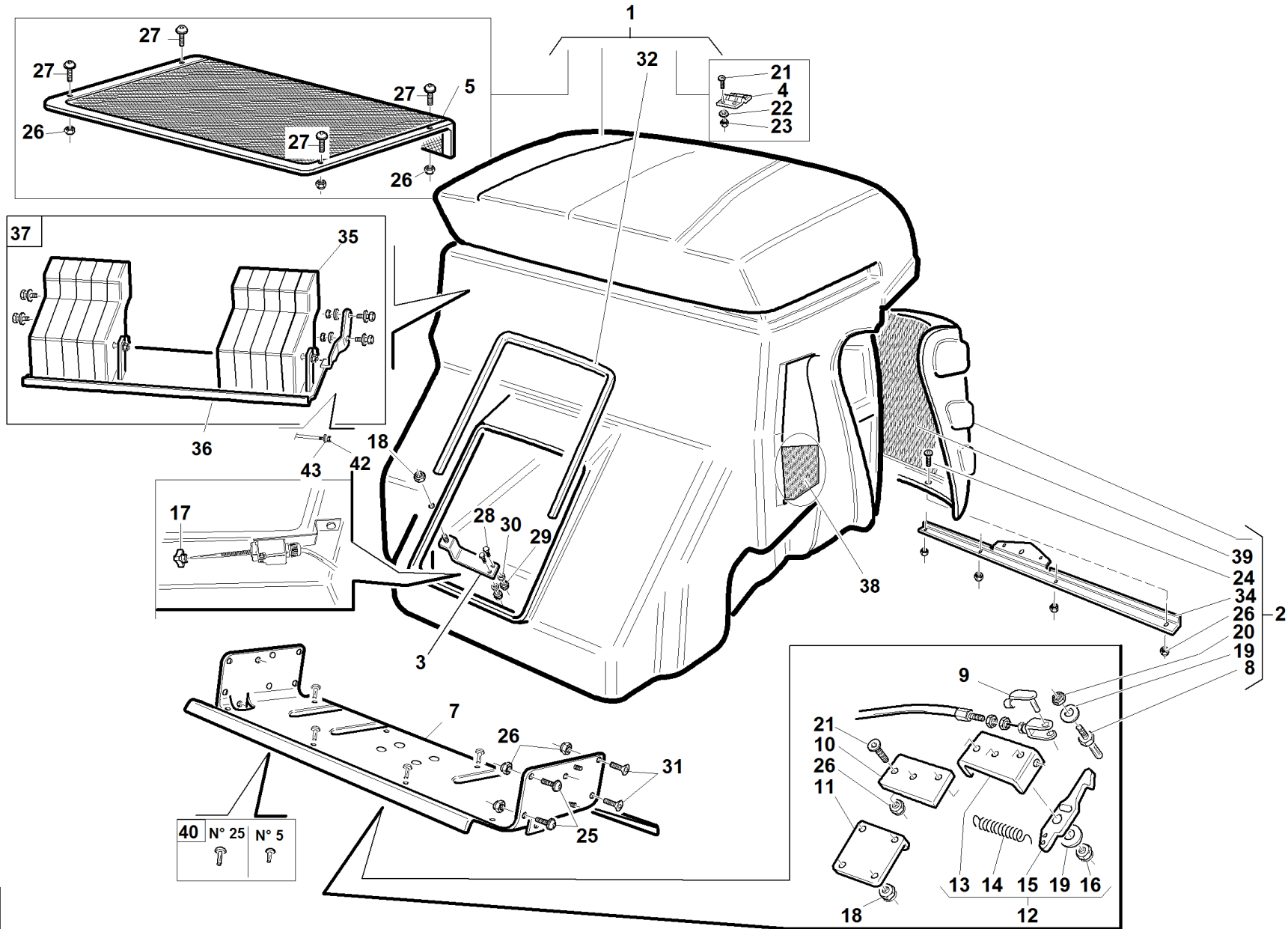
A - GTS 160 - GTS 200
 B - GTS 220 D

| # | P/N | DESCRIPTION | GTS |
|----|---------------|-----------------------------------|-----|
| 1 | 92001110000 | GTS FRONT FOOTBOARD | |
| 2 | 92001000052 | LEFT FOOT PAD | |
| 3 | 92001000057 | FIXING PLATE | |
| 4 | 92001410000 | COMPLETE TUNNEL | |
| 5 | 92001000058 | RUBBER STRAP | |
| 6 | 92001490000 | TUNNEL ANGULAR | |
| 7 | 92001240000 | RADIATOR SUPP. BRACKET | |
| 8 | 00111970127 | STOPPER M8 D30X20 | |
| 9 | 92001310000 | REAR SUPP.SEAT TIE ROD | |
| 12 | 92001420000 | HAND BRAKE SUPPORT BRACKET | |
| 13 | 00111990015 | HAND BRAKE LEVER | |
| 14 | 92001000049 | HAND BRAKE CABLE RIGHT | |
| 15 | 92001000051 | RIGHT FOOT PAD | |
| 16 | 92001000053 | SPRING De=12 L=100.2 FILO=3 | |
| 17 | 00111970169 | CLOSER PLUG D. 10.5 | |
| 18 | 92001000048 | HAND BRAKE CABLE LEFT | |
| 19 | 00111450003 | SCREW WASHER M8X20 | |
| 20 | PZ95042190000 | MICRO SUPPORT | |
| 21 | 95002000004 | HOPPER STOP PIN | |
| 23 | 95598340000 | PIN KIT Ø 12X30 + SPLIT 4X40 | |
| 24 | 00111000177 | PIN 4X40 | |
| 26 | 92001120000 | HAND BRAKE LEVEL | |
| 27 | 92001250000 | BRAKE SHOES KIT 152.4X25 | |
| 28 | 92001000009 | BRAKE DRUM W/ 4 HOLES | |
| 29 | 00111990102 | LITTLE COLUMN M12x1.5x35 | |
| 31 | 00111650001 | SNAP RING D.40 E | |
| 32 | 92001000010 | BRAKE CAM BLOCK BRACKET | |
| 33 | 00111000071 | SELF BLO. NUT M8 | |
| 34 | 00111000087 | WASHER P.8,4X15.6X1,5 | |
| 35 | 00111350021 | SCREW TSPEI M8X25 | |
| 36 | 00111750006 | SPLIT PIN 1,6X20 | |
| 37 | 92001000049 | HAND BRAKE CABLE RIGHT | |
| 38 | 00111000059 | FAKE SCREW/WASH. M8X14 | |
| 39 | 00777180003 | PIN Ø8 L=40 UNI 1710 | |
| 40 | 95001000027 | BORE WASHER Ø8.25X14 L=8 | |
| 41 | 00111450003 | SCREW WASHER M8X20 | |
| 42 | 89001000045 | SPRING. De=38.1 L=75 FILO=4.8 ZNT | |
| 43 | 92006160000 | HAND BRAKE SUPPORT BRACKET | |
| 44 | 95598470000 | NUT-WASHER-TONGUA KIT | |
| 45 | 00111000177 | PIN 4X40 | |
| 46 | 95597060000 | KIT | |



| # | P/N | DESCRIPTION | GTS |
|----|-------------|----------------------------|-----|
| 1 | 00111000071 | SELF BLO. NUT M8 | |
| 2 | 00111000015 | WASHER D.10,5X21X2 | |
| 3 | 94500000008 | OVERTURNING HOPPER TIE ROD | |
| 4 | 00111530003 | BUSHING TFF 14X16 L=9 | |
| 5 | 92001000039 | HOPPER OVERTURNING ARM | |
| 6 | 00111150005 | NUT M16X1.5 | |
| 7 | 94500840000 | OPEN HOPPER LEVER | |
| 8 | 94500170000 | LEFT HOPPER SUPPORT | |
| 9 | 94500180000 | RIGHT HOPPER SUPPORT | |
| 10 | 94500000067 | OPEN HOPPER WIRE CABLE | |
| 11 | 00111450010 | SCREW/W M6X10 | |
| 12 | 00111450014 | SCREW FR M6X12 | |
| 13 | 92001180000 | HOPPER CROSS ARM | |
| 14 | 94500000047 | TIE ROD PIN | |
| 15 | 94500000053 | RIGHT HOPPER TIE ROD | |
| 16 | 94500000051 | SPACER 10.25X16X10.5 | |
| 17 | 94500000007 | HOPPER FIXING PIN | |
| 18 | 00111250004 | SELF BL. NUT M10 | |
| 19 | 00111300059 | SCREW TE M10X45 | |
| 20 | 00111250013 | SELF BL.NUT M10 | |
| 21 | 94500000006 | BUSHING M16X1.5 | |
| 22 | 94500000005 | ARM BUSHING M16X1.5 | |
| 24 | 00111320001 | STUD BOLT M8X16 | |

GTS



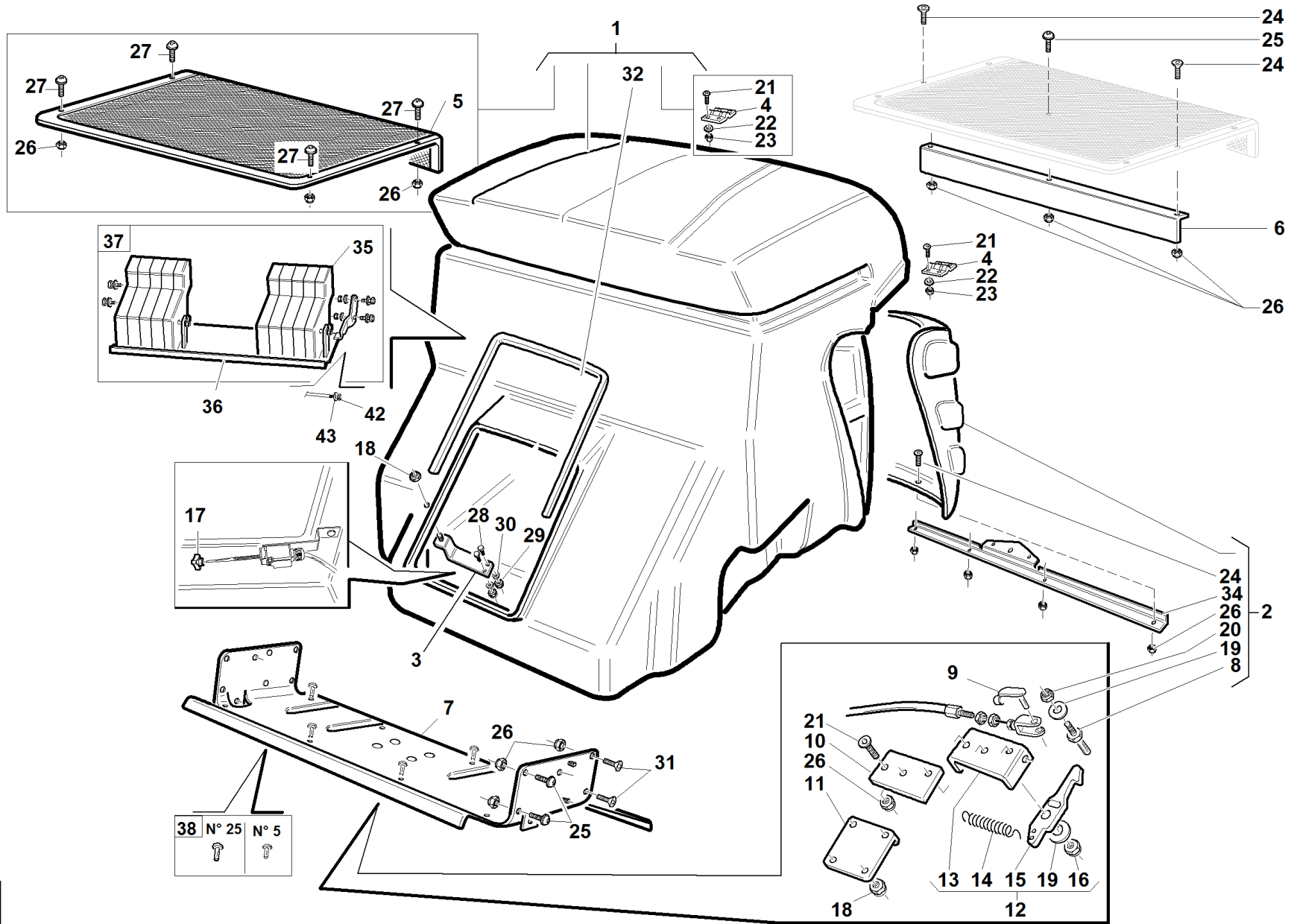
S/N
→ **0911015**

REF. 14 - 00555501322

| # | P/N | DESCRIPTION | GTS |
|---|-----|-------------|-----|
|---|-----|-------------|-----|

| | | | |
|----|-------------|-------------------------------------|--|
| 1 | 92001481000 | ASSEMBLED GTS HOPPER | |
| 2 | 94500050000 | ASSEMB.TG TECH -GTS COLLECTOR COVER | |
| 3 | 94500630000 | HOPPER MICRO SUPPORT | |
| 4 | 00777580003 | METAL HING 50x76 | |
| 5 | 94500970000 | TG TECH HOPPER GRID | |
| 7 | 94500270000 | HOPPER SUPPORT | |
| 8 | 94500000109 | CLOSER HOPPER DRILL ROD | |
| 9 | 00777180001 | FORKED PIN D.8 | |
| 10 | 94500000108 | HOOK SUPPORT SPACER | |
| 11 | 94500000072 | CENTRING HOPPER PLATE | |
| 12 | 94500810000 | HOPPER HOOK | |
| 13 | 94017190000 | HOOK SUPPORT | |
| 14 | 94500000111 | TG TECH ENCLOSING SPRING | |
| 15 | 94500000083 | TG TECH HOPPER HOOK | |
| 16 | 00111000080 | SELF BLO. SCREW M10 | |
| 17 | 00111970042 | FEMALE KNOB THB20M4 | |
| 18 | 00111000071 | SELF BLO. NUT M8 | |
| 19 | 00111000070 | WASHER P. 11X30X2.5 ZNT | |
| 20 | 00111250004 | SELF BL. NUT M10 | |
| 21 | 00111350030 | SCREW TSPEI M6X25 | |
| 22 | 00111000037 | WASHER 6.6X18X2 | |
| 23 | 00111000166 | SELF BL. SCREW M6 | |
| 24 | 00111000014 | SCREW TSPEI M6X16 | |
| 25 | 00111300011 | SCREW TE M6X20 | |
| 26 | 00111000035 | SELF BLOC. NUT M6 | |
| 27 | 00111450012 | SCREW FR M 6X20 | |
| 28 | 00111300024 | SCREW TE M4X35 | |
| 29 | 00111250006 | SELF BL. NUT M4 | |
| 30 | 00111500010 | WASHER 4.3X9X0.8 | |
| 31 | 00111350023 | SCREW TSPEI M6X20 | |
| 32 | 94500830002 | HOPPER WASHER L=930 | |
| 34 | 94500000110 | REINFORCEMENT | |
| 35 | 95049000037 | PG REAR BALLAST | |
| 36 | 92105100000 | | |
| 37 | 92105000000 | | |
| 38 | 92001481100 | | |
| 39 | 94500050002 | | |
| 40 | 95598560000 | | |
| 42 | 00111150002 | NUT M10 6S ZNT | |
| 43 | 00111150013 | | |

GTS



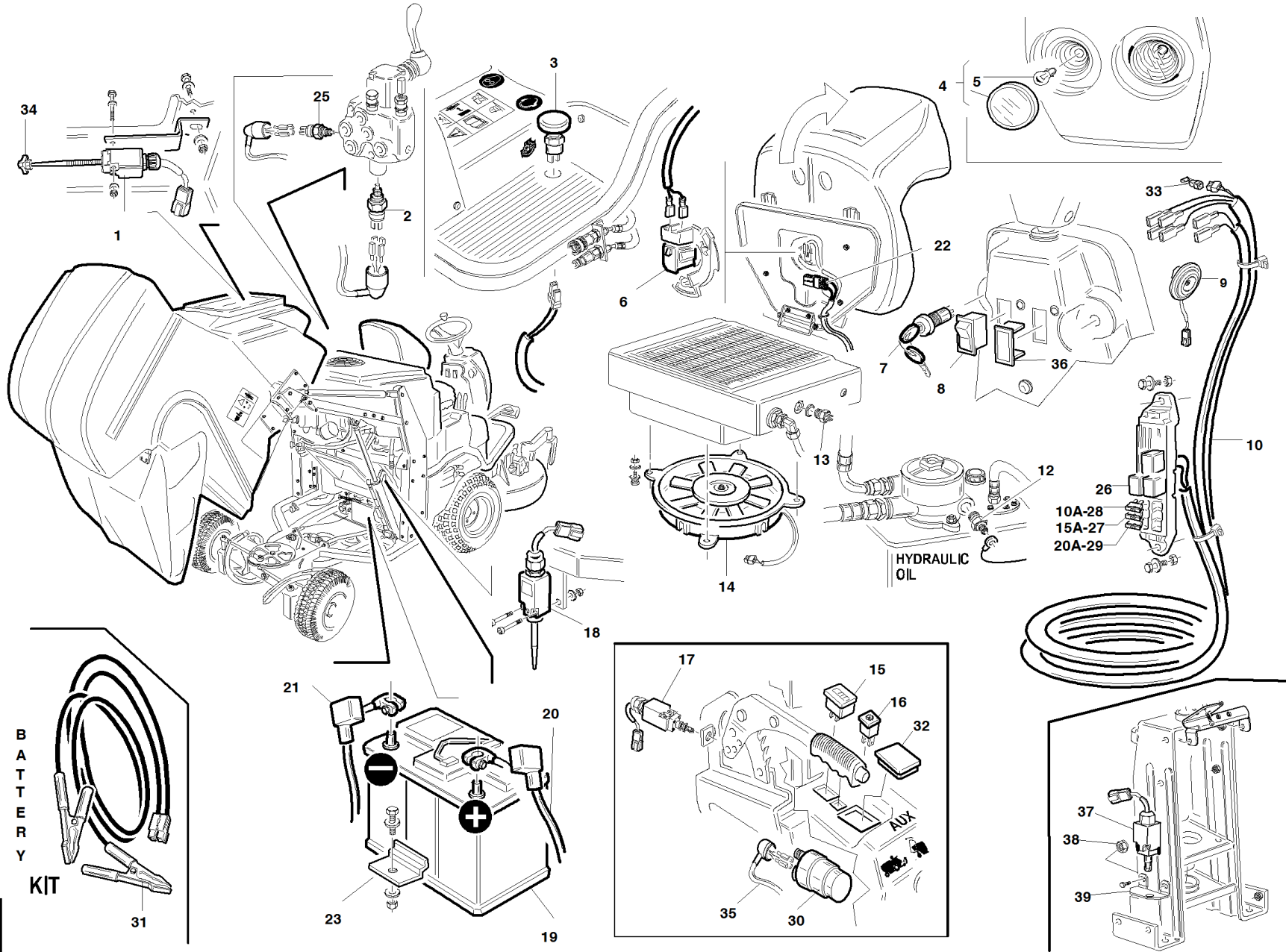
S/N

→ 0811001 ÷ 0911014 ←

REF. 14 - 00555501313

| # | P/N | DESCRIPTION | GTS |
|----|-------------|-------------------------------------|-----|
| 1 | 92001481000 | ASSEMBLED GTS HOPPER | |
| 2 | 94500050000 | ASSEMB.TG TECH -GTS COLLECTOR COVER | |
| 3 | 94500630000 | HOPPER MICRO SUPPORT | |
| 4 | 00777580003 | METAL HING 50x76 | |
| 5 | 94500970000 | TG TECH HOPPER GRID | |
| 6 | 94500460000 | COLLECTOR GRID WING | |
| 7 | 94500270000 | HOPPER SUPPORT | |
| 8 | 94500000109 | CLOSER HOPPER DRILL ROD | |
| 9 | 00777180001 | FORKED PIN D.8 | |
| 10 | 94500000108 | HOOK SUPPORT SPACER | |
| 11 | 94500000072 | CENTRING HOPPER PLATE | |
| 12 | 94500810000 | HOPPER HOOK | |
| 13 | 94017190000 | HOOK SUPPORT | |
| 14 | 94500000111 | TG TECH ENCLOSING SPRING | |
| 15 | 94500000083 | TG TECH HOPPER HOOK | |
| 16 | 00111000080 | SELF BLO. SCREW M10 | |
| 17 | 00111970042 | FEMALE KNOB THB20M4 | |
| 18 | 00111000071 | SELF BLO. NUT M8 | |
| 19 | 00111000070 | WASHER P. 11X30X2.5 ZNT | |
| 20 | 00111250004 | SELF BL. NUT M10 | |
| 21 | 00111350030 | SCREW TSPEI M6X25 | |
| 22 | 00111000037 | WASHER 6.6X18X2 | |
| 23 | 00111000166 | SELF BL. SCREW M6 | |
| 24 | 00111000014 | SCREW TSPEI M6X16 | |
| 25 | 00111300011 | SCREW TE M6X20 | |
| 26 | 00111000035 | SELF BLOC. NUT M6 | |
| 27 | 00111450012 | SCREW FR M 6X20 | |
| 28 | 00111300024 | SCREW TE M4X35 | |
| 29 | 00111250006 | SELF BL. NUT M4 | |
| 30 | 00111500010 | WASHER 4.3X9X0.8 | |
| 31 | 00111350023 | SCREW TSPEI M6X20 | |
| 32 | 94500830002 | HOPPER WASHER L=930 | |
| 34 | 94500000110 | REINFORCEMENT | |
| 35 | 95049000037 | PG REAR BALLAST | |
| 36 | 92105100000 | | |
| 37 | 92105000000 | | |
| 38 | 95598560000 | | |
| 42 | 00111150002 | NUT M10 6S ZNT | |
| 43 | 00111150013 | | |

GTS

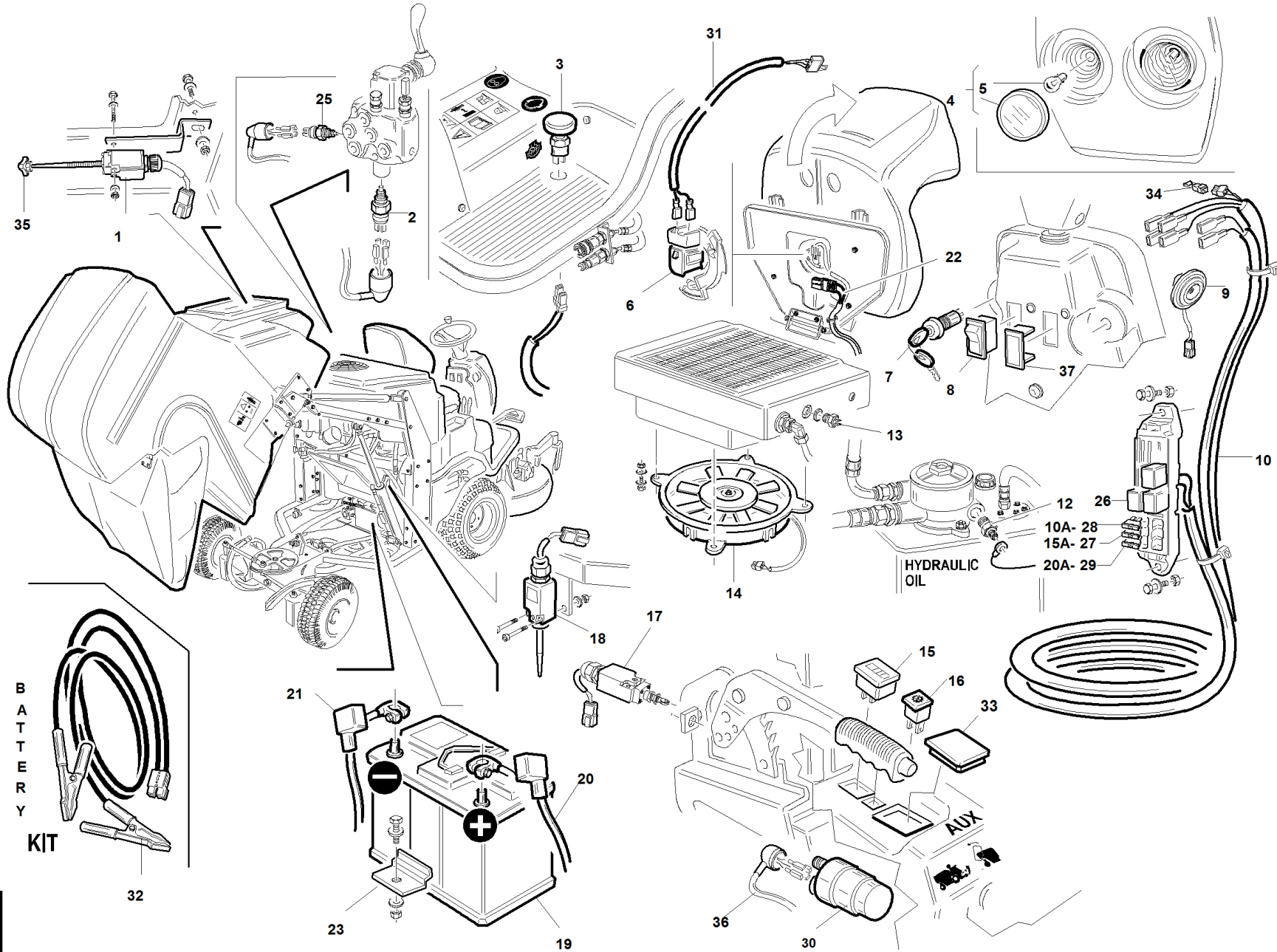


S/N
→ **0904040**

REF. 15 - 00555501320

| # | P/N | DESCRIPTION | GTS |
|----|-------------|----------------------------------|-----|
| 1 | 92001290009 | FULL HOPPER WIRED MICRO SWITCH | |
| 2 | 00777800202 | PTO MICRO SWITCH | |
| 3 | 91002140011 | DIFFERENTIAL BLOCK SWITCH | |
| 4 | 00777800137 | PROJECTOR | |
| 5 | 95599000021 | LAMP WITH SUPPORT | |
| 6 | 00777800216 | SEAT MICRO SWITCH | |
| 7 | 00777800222 | START SWITCH | |
| 8 | 00777800007 | SWITCH | |
| 9 | 00777800022 | HORN 12V | |
| 10 | 92001290006 | GTS160/200 CENTRAL EL.HARNESS | |
| 12 | 95599000061 | DIFFERENTIAL PRESSURE SWITCH | |
| 13 | 00777800201 | TYHERMOSTAT 50°-60° M22X1,5 | |
| 14 | 95599000058 | GTS ELECTRIC FAN (4Kw) | |
| 15 | 00777800219 | HOUR METER | |
| 16 | 91002140010 | OBSTRUCTION FILTER PILOT LIGHT | |
| 17 | 94011250000 | TG 200 HANDBRAKE WIRED MICRO | |
| 18 | 94500650000 | CLOSE HOPPER WIRED MICRO | |
| 19 | 95599000036 | BATTERY 12V 43A | |
| 20 | 92001290002 | POSITIVE BATTERY CABLE | |
| 21 | 92001290003 | NEGATIVE BATTERY CABLE | |
| 22 | 92001290004 | WIRED EMERGENCY BATTERY PLUG | |
| 23 | 94500000079 | BRACKET FIXING BATTERY | |
| 25 | 00777800211 | THERMOSTAT EUROSITCH 95°C | |
| 26 | 00777800059 | MICRO RELAYS 12V | |
| 27 | 00777800213 | MICRO BLADE FUSE 15A | |
| 28 | 00777800212 | MICRO BLADE FUSE 10A | |
| 29 | 00777800214 | "MICRO BLADE FUSE 20A | |
| 30 | 00777800012 | RELAY 06020 | |
| 31 | 92001290005 | WIRED BATTERY PLUG | |
| 32 | 00111970215 | RECTANGULAR CAP | |
| 33 | 00777800239 | ELECTRIC DIODE P600K W/CONNECTOR | |
| 34 | 00111970042 | FEMALE KNOB THB20M4 | |
| 35 | 95599000122 | CONTACTOR-STARTER POSITIVE CABLE | |
| 36 | 00111970159 | PLUG | |
| 37 | 95410140002 | | |
| 38 | 00111000035 | SELF BLOC. NUT M6 | |
| 39 | 92111000005 | | |

GTS

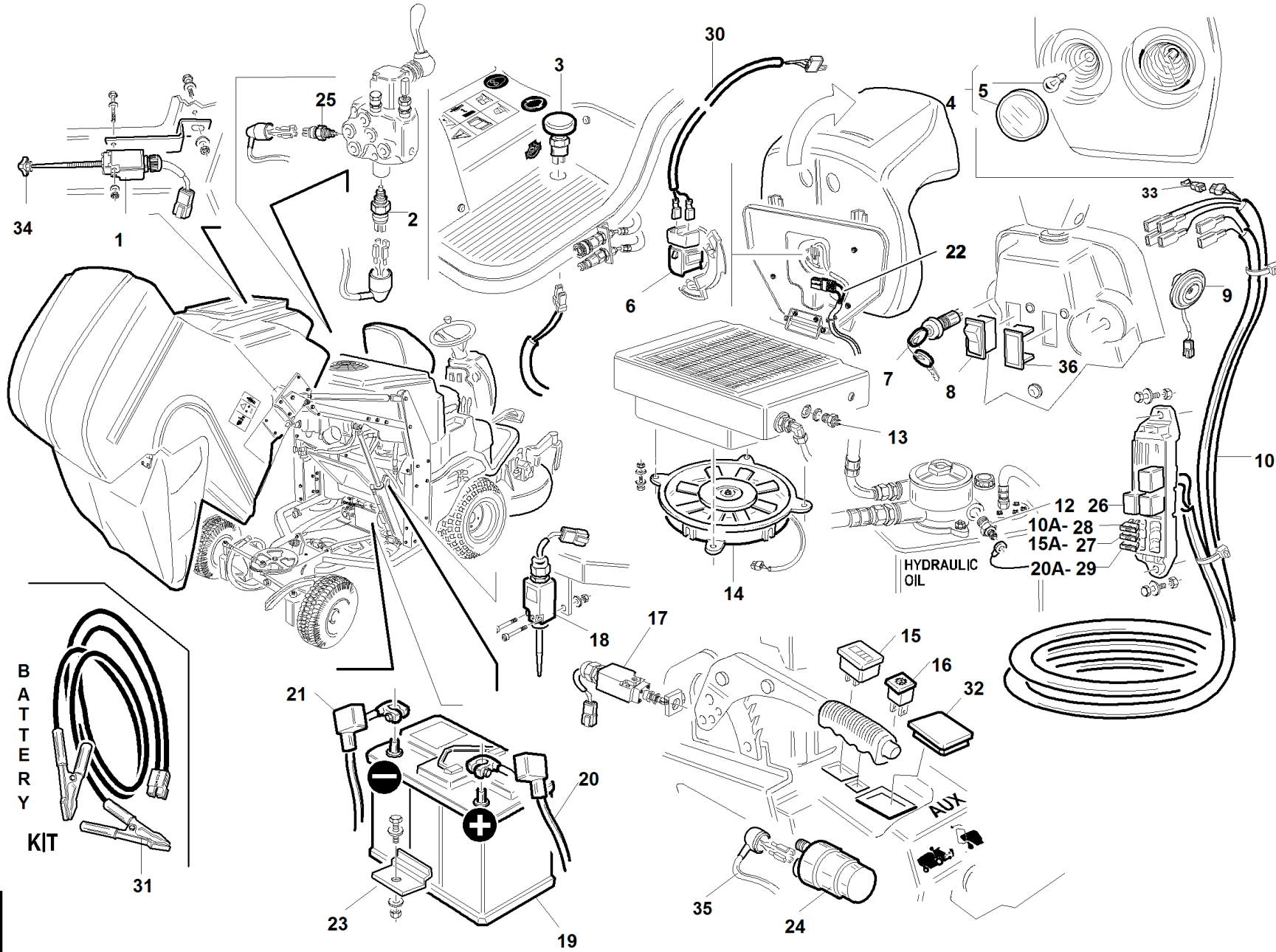


S/N
→ 0902008 ÷ 0904039 ←

REF. 15 - 00555501319

| # | P/N | DESCRIPTION | GTS |
|----|-------------|--|-----|
| 1 | 92001290009 | FULL HOPPER WIRED MICRO SWITCH | |
| 2 | 00777800202 | PTO MICRO SWITCH | |
| 3 | 91002140011 | DIFFERENTIAL BLOCK SWITCH | |
| 4 | 00777800137 | PROJECTOR | |
| 5 | 95599000021 | LAMP WITH SUPPORT | |
| 6 | 00777800216 | SEAT MICRO SWITCH | |
| 7 | 00777800222 | START SWITCH | |
| 8 | 00777800007 | SWITCH | |
| 9 | 00777800022 | HORN 12V | |
| 10 | 92001290006 | GTS160/200 CENTRAL EL.HARNESS | |
| 36 | 95599000122 | CONTACTOR-STARTER POSITIVE CABLE | |
| 12 | 95599000061 | DIFFERENTIAL PRESSURE SWITCH | |
| 13 | 00777800201 | TYHERMOSTAT 50°-60° M22X1,5 | |
| 14 | 95599000058 | GTS ELECTRIC FAN (4Kw) | |
| 15 | 00777800219 | HOUR METER | |
| 16 | 91002140010 | OBSTRUCTION FILTER PILOT LIGHT | |
| 17 | 94011250000 | TG 200 HANDBRAKE WIRED MICRO | |
| 18 | 94500650000 | CLOSE HOPPER WIRED MICRO | |
| 19 | 95599000036 | BATTERY 12V 43A | |
| 20 | 92001290002 | POSITIVE BATTERY CABLE | |
| 21 | 92001290003 | NEGATIVE BATTERY CABLE | |
| 22 | 92001290004 | WIRED EMERGENCY BATTERY PLUG | |
| 23 | 94500000079 | BRACKET FIXING BATTERY | |
| 25 | 00777800211 | THERMOSTAT EUROS SWITCH 95°C | |
| 26 | 00777800059 | MICRO RELAYS 12V | |
| 27 | 00777800213 | MICRO BLADE FUSE 15A | |
| 28 | 00777800212 | MICRO BLADE FUSE 10A | |
| 29 | 00777800214 | "MICRO BLADE FUSE 20AMICRO BLADE FUSE 2" | |
| 30 | 00777800012 | RELAY 06020 | |
| 31 | 95599000062 | GTS CABLE | |
| 32 | 92001290005 | WIRED BATTERY PLUG | |
| 33 | 00111970215 | RECTANGULAR CAP | |
| 34 | 00777800239 | ELECTRIC DIODE P600K W/CONNECTOR | |
| 35 | 00111970042 | FEMALE KNOB THB20M4 | |
| 36 | 95599000122 | CONTACTOR-STARTER POSITIVE CABLE | |
| 37 | 00111970159 | PLUG | |

GTS

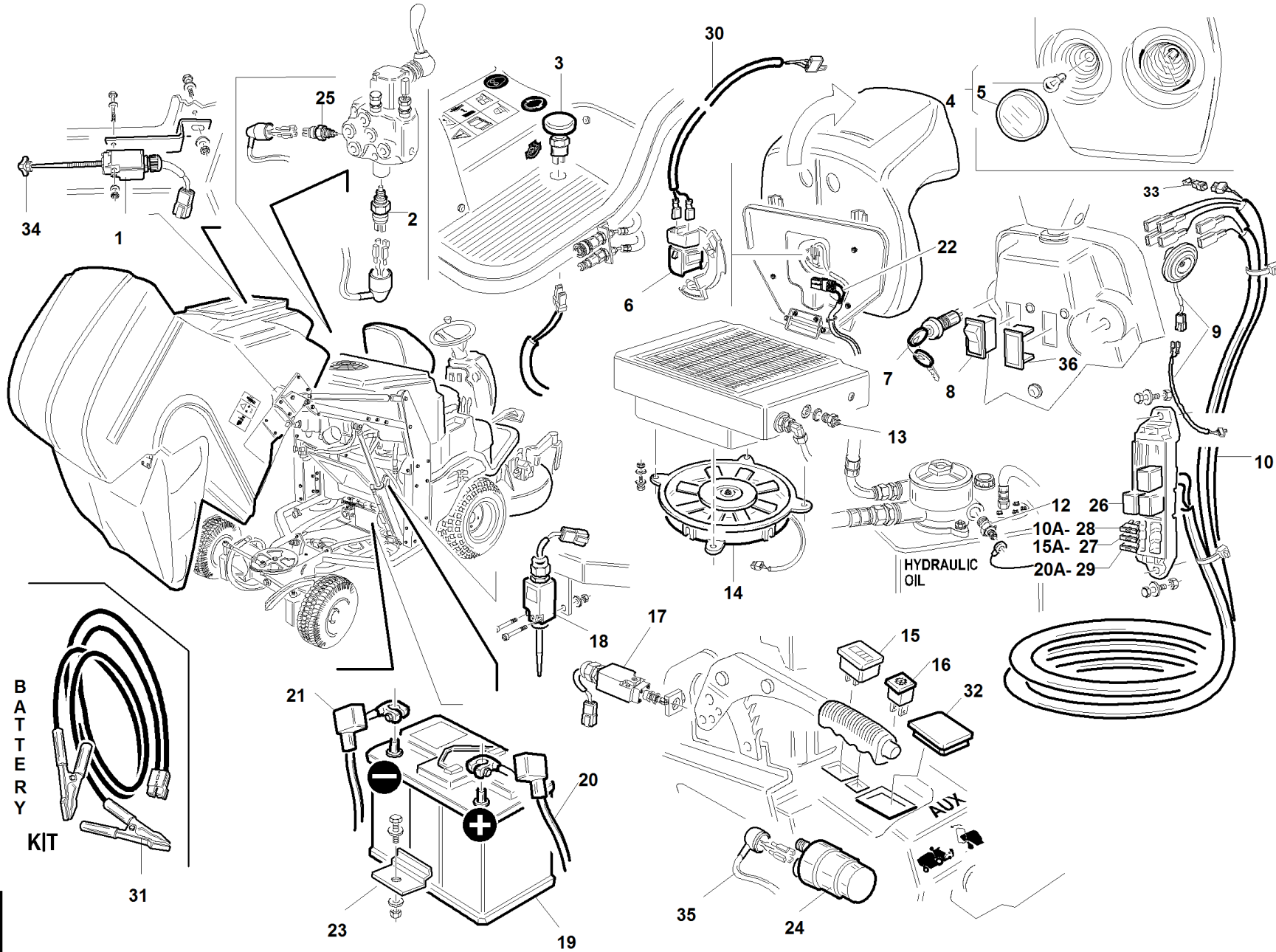


S/N
 → 0901042 ÷ 0902007 ←

REF. 15 - 00555501314

| # | P/N | DESCRIPTION | GTS |
|----|-------------|--|-----|
| 1 | 92001290009 | FULL HOPPER WIRED MICRO SWITCH | |
| 2 | 00777800202 | PTO MICRO SWITCH | |
| 3 | 91002140011 | DIFFERENTIAL BLOCK SWITCH | |
| 4 | 00777800137 | PROJECTOR | |
| 5 | 95599000021 | LAMP WITH SUPPORT | |
| 6 | 00777800216 | SEAT MICRO SWITCH | |
| 7 | 00777800222 | START SWITCH | |
| 8 | 00777800007 | SWITCH | |
| 9 | 00777800022 | HORN 12V | |
| 10 | 92001290006 | GTS160/200 CENTRAL EL.HARNESS | |
| 12 | 95599000061 | DIFFERENTIAL PRESSURE SWITCH | |
| 13 | 00777800201 | TYHERMOSTAT 50°-60° M22X1,5 | |
| 14 | 95599000058 | GTS ELECTRIC FAN (4Kw) | |
| 15 | 00777800219 | HOUR METER | |
| 16 | 91002140010 | OBSTRUCTION FILTER PILOT LIGHT | |
| 17 | 94011250000 | TG 200 HANDBRAKE WIRED MICRO | |
| 18 | 94500650000 | CLOSE HOPPER WIRED MICRO | |
| 19 | 95599000036 | BATTERY 12V 43A | |
| 20 | 92001290002 | POSITIVE BATTERY CABLE | |
| 21 | 92001290003 | NEGATIVE BATTERY CABLE | |
| 22 | 92001290004 | WIRED EMERGENCY BATTERY PLUG | |
| 23 | 94500000079 | BRACKET FIXING BATTERY | |
| 24 | 00777800012 | RELAY 06020 | |
| 25 | 00777800210 | THERMOSTAT COBO 95°C | |
| 26 | 00777800059 | MICRO RELAYS 12V | |
| 27 | 00777800213 | MICRO BLADE FUSE 15A | |
| 28 | 00777800212 | MICRO BLADE FUSE 10A | |
| 29 | 00777800214 | "MICRO BLADE FUSE 20AMICRO BLADE FUSE 2" | |
| 30 | 95599000062 | GTS CABLE | |
| 31 | 92001290005 | WIRED BATTERY PLUG | |
| 32 | 00111970215 | RECTANGULAR CAP | |
| 33 | 00777800239 | ELECTRIC DIODE P600K W/CONNECTOR | |
| 34 | 00111970042 | FEMALE KNOB THB20M4 | |
| 35 | 95599000122 | CONTACTOR-STARTER POSITIVE CABLE | |
| 36 | 00111970159 | PLUG | |

GTS



BATTERY

KIT

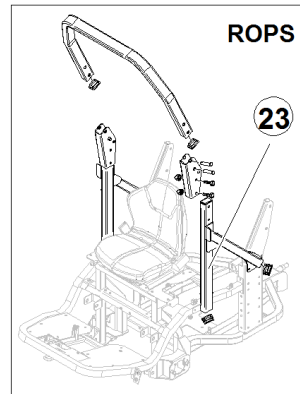
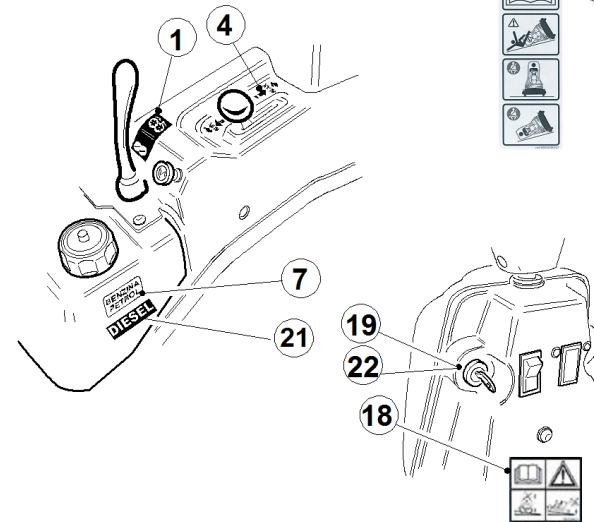
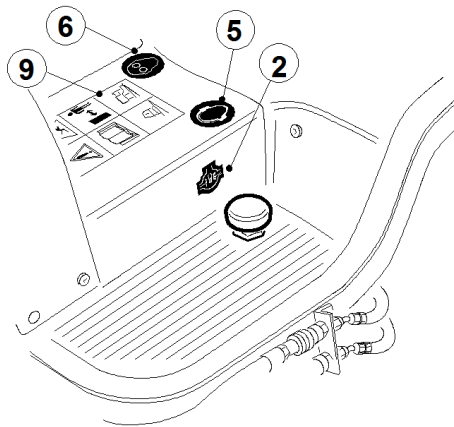
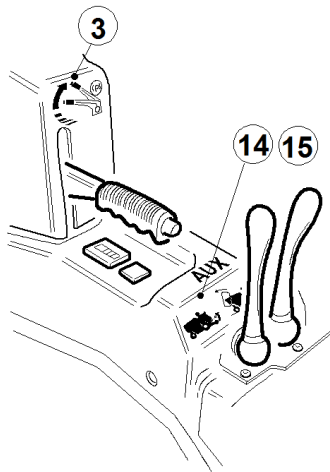
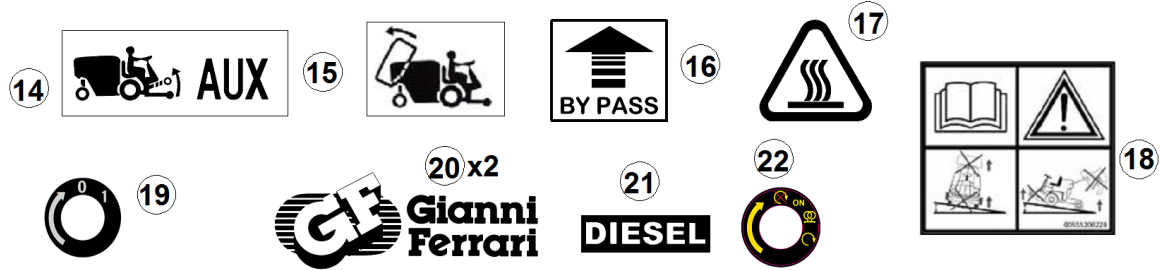
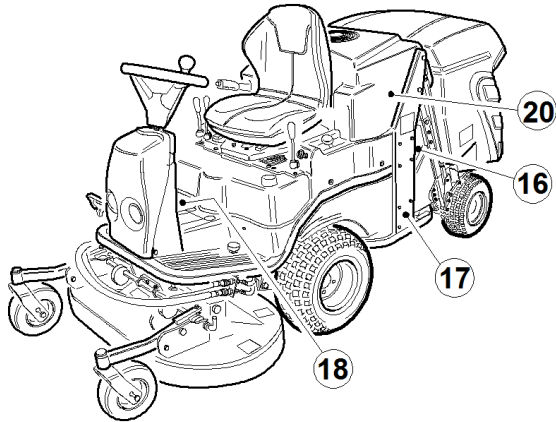
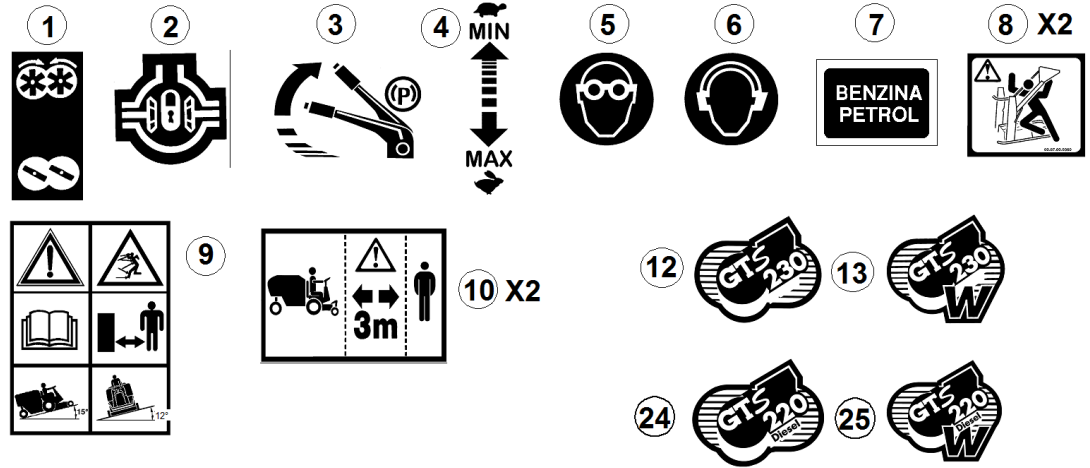
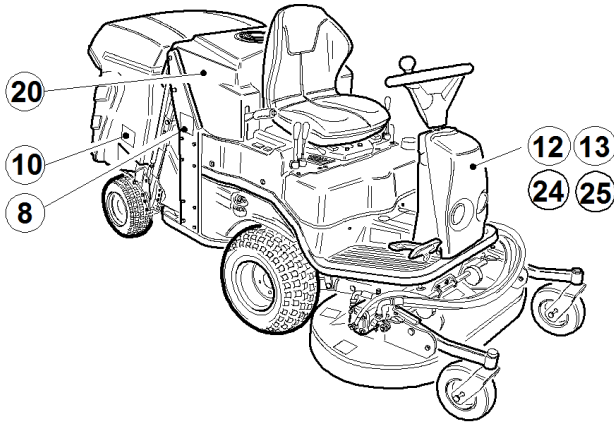
HYDRAULIC OIL

AUX

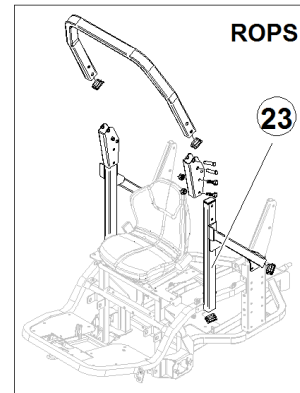
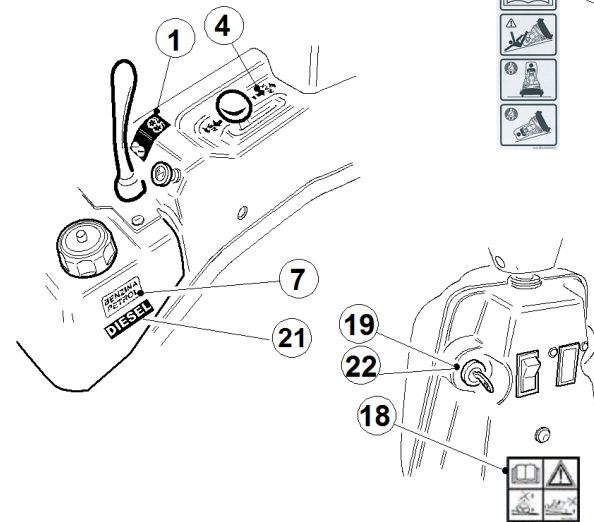
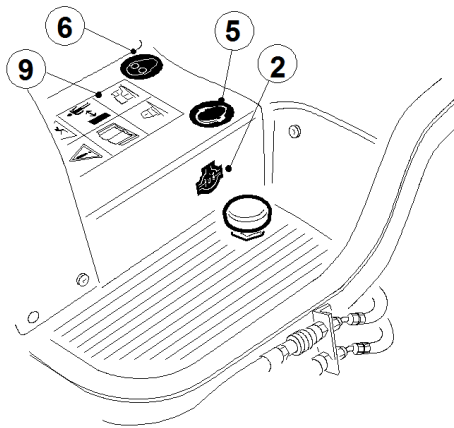
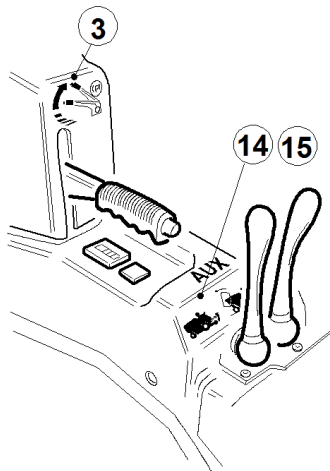
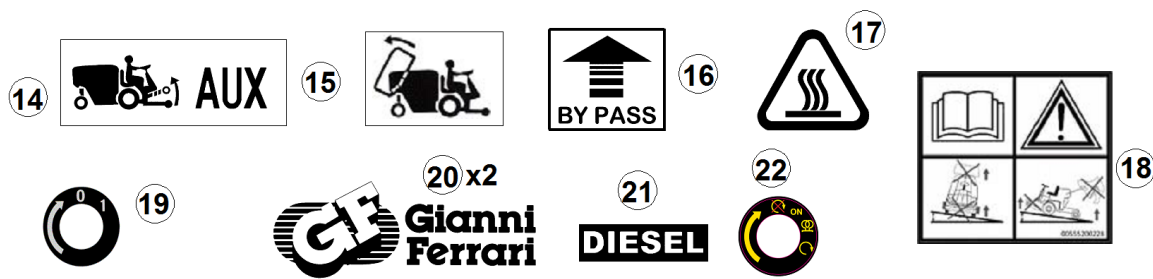
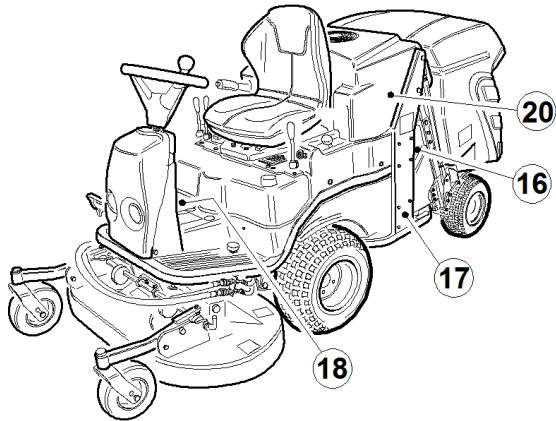
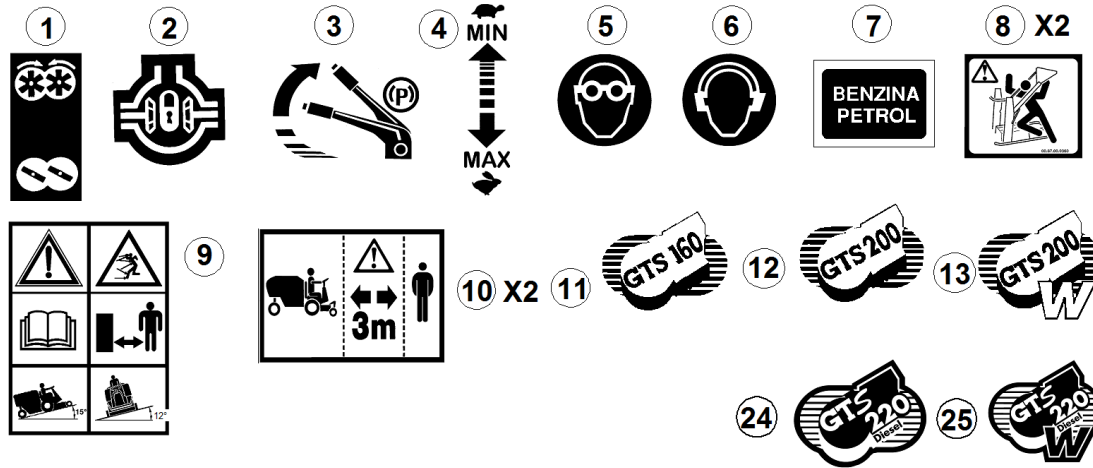
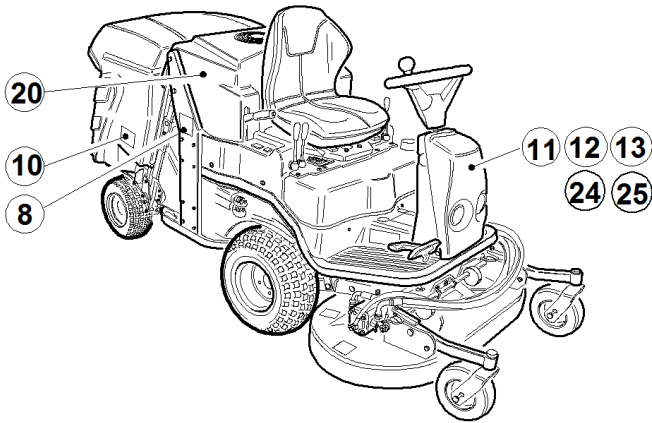
S/N
 → 0811001 ÷ 0901040 ←

REF. 15 - 00555501321

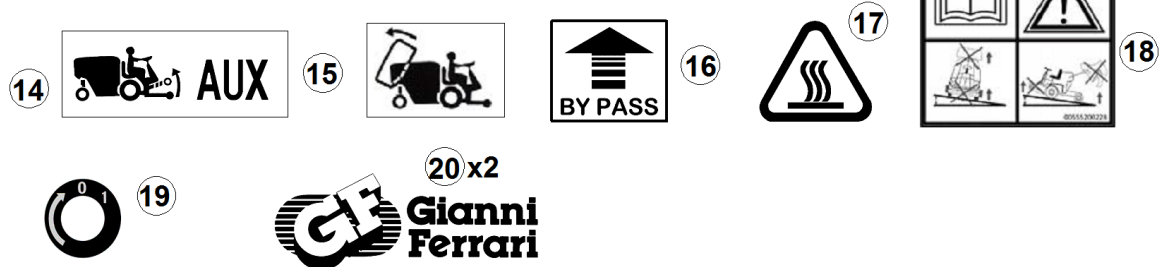
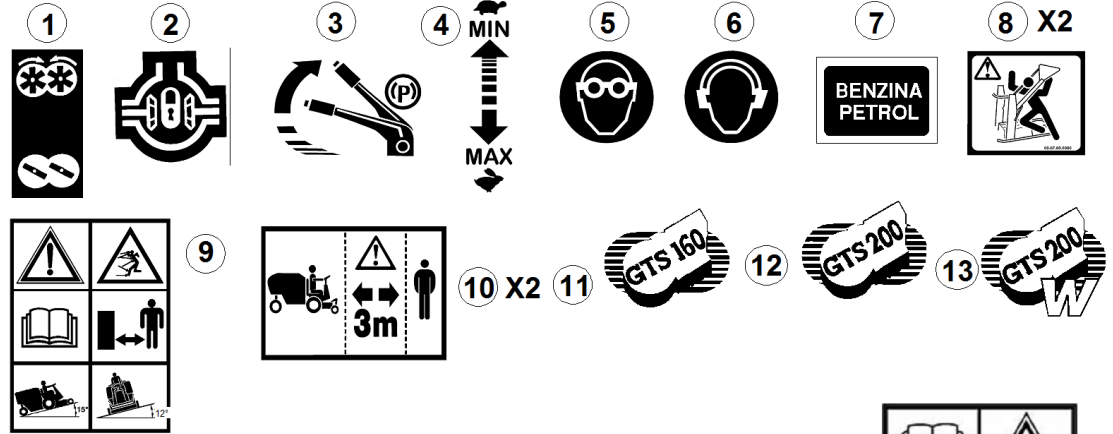
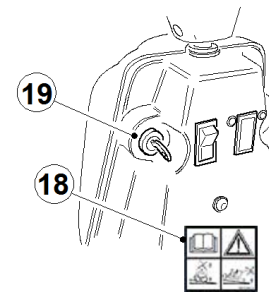
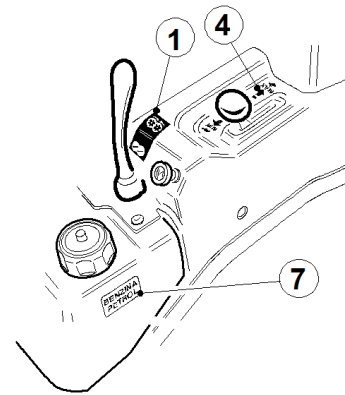
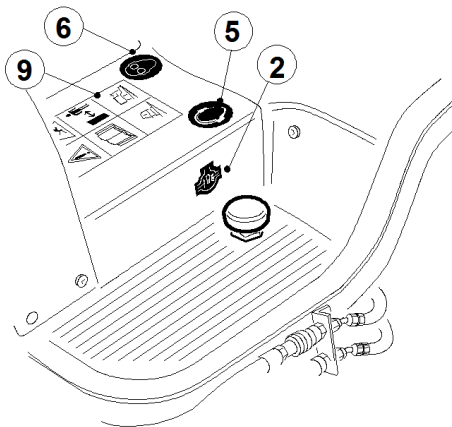
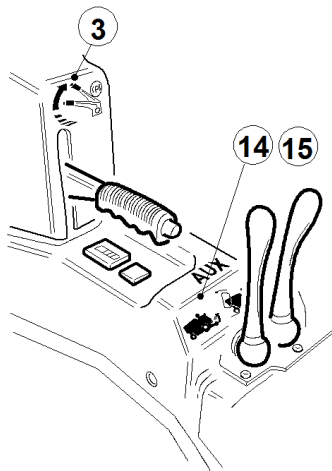
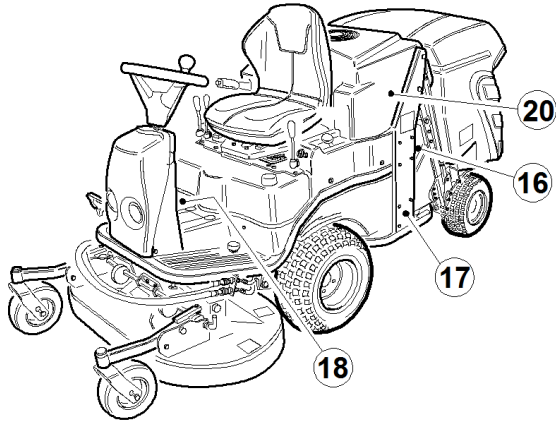
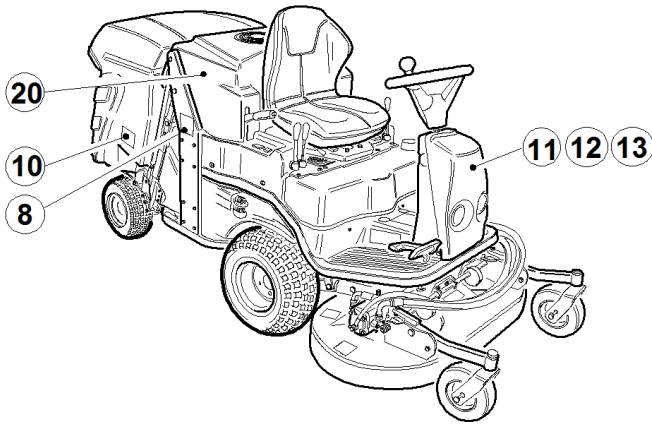
| # | P/N | DESCRIPTION | GTS |
|----|-------------|--|-----|
| 1 | 92001290009 | FULL HOPPER WIRED MICRO SWITCH | |
| 2 | 00777800202 | PTO MICRO SWITCH | |
| 3 | 91002140011 | DIFFERENTIAL BLOCK SWITCH | |
| 4 | 00777800137 | PROJECTOR | |
| 5 | 95599000021 | LAMP WITH SUPPORT | |
| 6 | 00777800216 | SEAT MICRO SWITCH | |
| 7 | 00777800222 | START SWITCH | |
| 8 | 00777800007 | SWITCH | |
| 9 | 95598350000 | GTS CLAXON KIT | |
| 10 | 92001290006 | GTS160/200 CENTRAL EL.HARNESS | |
| 12 | 95599000061 | DIFFERENTIAL PRESSURE SWITCH | |
| 13 | 00777800201 | TYHERMOSTAT 50°-60° M22X1,5 | |
| 14 | 95599000058 | GTS ELECTRIC FAN (4Kw) | |
| 15 | 00777800219 | HOUR METER | |
| 16 | 91002140010 | OBSTRUCTION FILTER PILOT LIGHT | |
| 17 | 94011250000 | TG 200 HANDBRAKE WIRED MICRO | |
| 18 | 94500650000 | CLOSE HOPPER WIRED MICRO | |
| 19 | 95599000036 | BATTERY 12V 43A | |
| 20 | 92001290002 | POSITIVE BATTERY CABLE | |
| 21 | 92001290003 | NEGATIVE BATTERY CABLE | |
| 22 | 92001290004 | WIRED EMERGENCY BATTERY PLUG | |
| 23 | 94500000079 | BRACKET FIXING BATTERY | |
| 24 | 00777800012 | RELAY 06020 | |
| 25 | 00777800210 | THERMOSTAT COBO 95°C | |
| 26 | 00777800059 | MICRO RELAYS 12V | |
| 27 | 00777800213 | MICRO BLADE FUSE 15A | |
| 28 | 00777800212 | MICRO BLADE FUSE 10A | |
| 29 | 00777800214 | "MICRO BLADE FUSE 20AMICRO BLADE FUSE 2" | |
| 30 | 95599000062 | GTS CABLE | |
| 31 | 92001290005 | WIRED BATTERY PLUG | |
| 32 | 00111970215 | RECTANGULAR CAP | |
| 33 | 00777800239 | ELECTRIC DIODE P600K W/CONNECTOR | |
| 34 | 00111970042 | FEMALE KNOB THB20M4 | |
| 35 | 95599000122 | CONTACTOR-STARTER POSITIVE CABLE | |
| 36 | 00111970159 | PLUG | |



| # | P/N | DESCRIPTION | GTS | REF. 16 - 00555501345 |
|----|-------------|---|-----|-----------------------|
| 1 | 00555200006 | TRANSFER PRINTING | | |
| 2 | 00555200008 | TRANSFER PRINTING BLOC | | |
| 3 | 00555200128 | TRANSFER PRINTING BRAKE | | |
| 4 | 00555200127 | TRANSFER PRINTING | | |
| 5 | 00555200130 | TRANSFER PRINTING EYE PROTECTION | | |
| 6 | 00555200129 | TRANSFER PRINT.HEARING PROTEC. | | |
| 7 | 00555200163 | "PETROL" FUEL TRANSFER PRINTING | | |
| 8 | 00555200119 | TRANSFER PRINTING | | |
| 9 | 00555200143 | DANGER TRANSFER PRINTING | | |
| 10 | 00555200018 | TRANF. KEEP AWAY | | |
| 12 | 00555200291 | GTS 230 W DECAL | | |
| 13 | 00555200290 | GTS 230 DECAL | | |
| 14 | 00555200203 | TRANSFER PRINTING FOR MOWER DECK & AUX | | |
| 15 | 00555200135 | TRANSFER PRINTING | | |
| 16 | 00555200141 | TRANSFER PRINTING | | |
| 17 | 00555200142 | TRANSFER PRINTING | | |
| 18 | 00555200228 | TRANSF.PRINTING"LIFTEDHOPPER+MOWER DECK | | |
| 19 | 00555200013 | TRANSFER PRINTING START | | |
| 20 | 00555200165 | YELLOW GIANNI FERRARI TRANSF. PRINTING | | |
| 21 | 00555200114 | TRANSFER PRINTING "DIESEL" | | |
| 22 | 00555200251 | | | |
| 23 | 00555200257 | ROPS-SAFETY TRANSFER PRINT | | |
| 24 | 00555200250 | TRANSF.PRINTING "GTS 220 D" | | |
| 25 | 00555200235 | TRANSFER PRINTING "GTS 220 DW" | | |



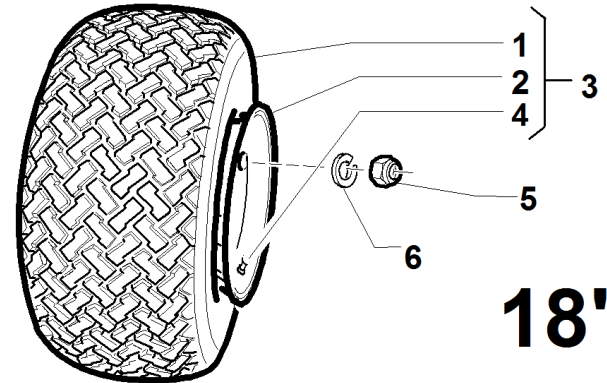
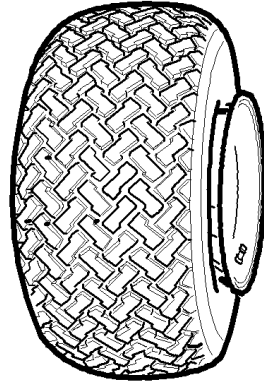
| # | P/N | DESCRIPTION | GTS |
|----|-------------|---|-----|
| 1 | 00555200006 | TRANSFER PRINTING | |
| 2 | 00555200008 | TRANSFER PRINTING BLOC | |
| 3 | 00555200128 | TRANSFER PRINTING BRAKE | |
| 4 | 00555200127 | TRANSFER PRINTING | |
| 5 | 00555200130 | TRANSFER PRINTING EYE PROTECTION | |
| 6 | 00555200129 | TRANSFER PRINT.HEARING PROTEC. | |
| 7 | 00555200163 | "PETROL" FUEL TRANSFER PRINTING | |
| 8 | 00555200119 | TRANSFER PRINTING | |
| 9 | 00555200143 | DANGER TRANSFER PRINTING | |
| 10 | 00555200018 | TRANF. KEEP AWAY | |
| 11 | 00555200217 | TRANSFER PRINTING "GTS 160" | |
| 12 | 00555200216 | "GTS 200" TRANSFER PRINTING | |
| 13 | 00555200215 | "GTS 200W" TRANSFER PRINTING | |
| 14 | 00555200203 | TRANSFER PRINTING FOR MOWER DECK & AUX | |
| 15 | 00555200135 | TRANSFER PRINTING | |
| 16 | 00555200141 | TRANSFER PRINTING | |
| 17 | 00555200142 | TRANSFER PRINTING | |
| 18 | 00555200228 | TRANSF.PRINTING"LIFTEDHOPPER+MOWER DECK | |
| 19 | 00555200013 | TRANSFER PRINTING START | |
| 20 | 00555200165 | YELLOW GIANNI FERRARI TRANSF. PRINTING | |
| 21 | 00555200114 | TRANSFER PRINTING "DIESEL" | |
| 22 | 00555200251 | | |
| 23 | 00555200257 | ROPS-SAFETY TRANSFER PRINT | |
| 24 | 00555200250 | TRANSF.PRINTING "GTS 220 D" | |
| 25 | 00555200235 | TRANSFER PRINTING "GTS 220 DW" | |



| # | P/N | DESCRIPTION | GTS |
|----|-------------|---|-----|
| 1 | 00555200006 | TRANSFER PRINTING | |
| 2 | 00555200008 | TRANSFER PRINTING BLOC | |
| 3 | 00555200128 | TRANSFER PRINTING BRAKE | |
| 4 | 00555200127 | TRANSFER PRINTING | |
| 5 | 00555200130 | TRANSFER PRINTING EYE PROTECTION | |
| 6 | 00555200129 | TRANSFER PRINT.HEARING PROTEC. | |
| 7 | 00555200163 | "PETROL" FUEL TRANSFER PRINTING | |
| 8 | 00555200119 | TRANSFER PRINTING | |
| 9 | 00555200143 | DANGER TRANSFER PRINTING | |
| 10 | 00555200018 | TRANF. KEEP AWAY | |
| 11 | 00555200217 | TRANSFER PRINTING "GTS 160" | |
| 12 | 00555200216 | "GTS 200" TRANSFER PRINTING | |
| 13 | 00555200215 | "GTS 200W" TRANSFER PRINTING | |
| 14 | 00555200203 | TRANSFER PRINTING FOR MOWER DECK & AUX | |
| 15 | 00555200135 | TRANSFER PRINTING | |
| 16 | 00555200141 | TRANSFER PRINTING | |
| 17 | 00555200142 | TRANSFER PRINTING | |
| 18 | 00555200228 | TRANSF.PRINTING"LIFTEDHOPPER+MOWER DECK | |
| 19 | 00555200013 | TRANSFER PRINTING START | |
| 20 | 00555200165 | YELLOW GIANNI FERRARI TRANSF. PRINTING | |
| 21 | 00555200114 | TRANSFER PRINTING "DIESEL" | |
| 22 | 00555200251 | | |
| 23 | 00555200257 | ROPS-SAFETY TRANSFER PRINT | |

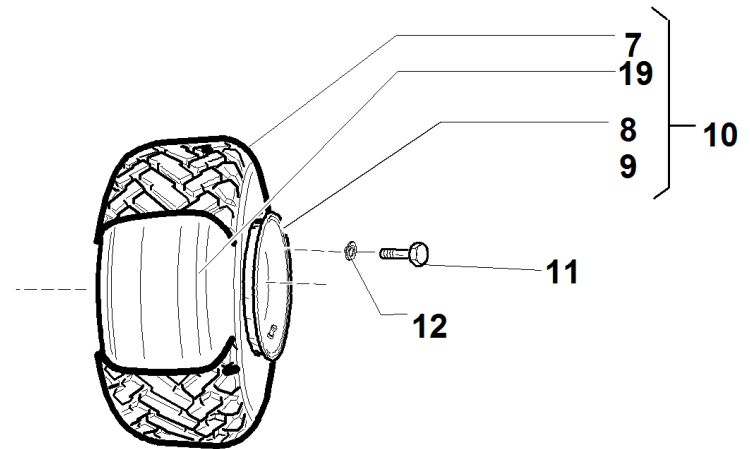
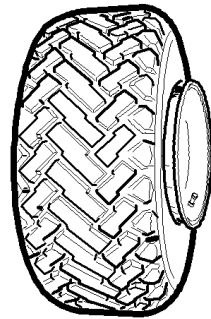
TRELLEBORG

GTS

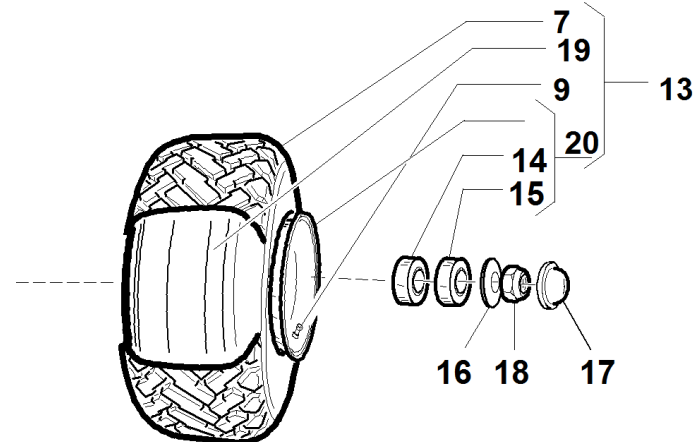
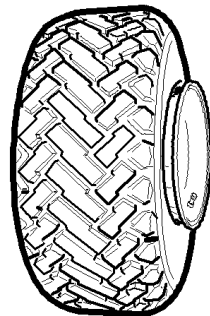


18"

4WD



2WD



13"

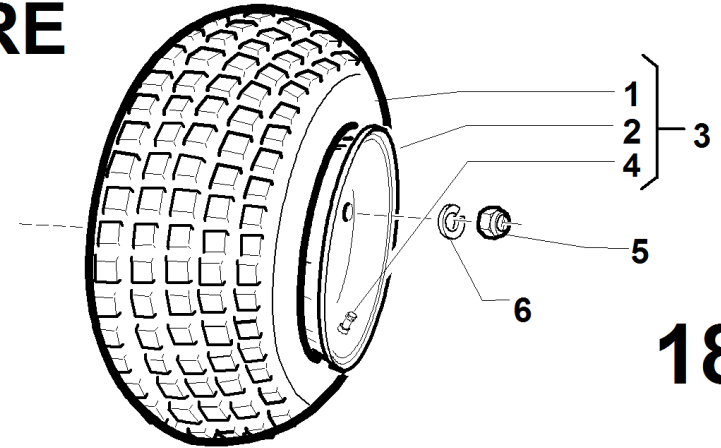
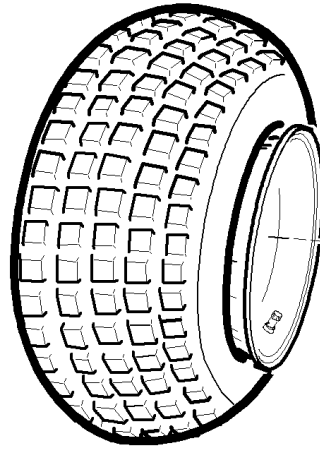
S/N
→1104037

REF. 17 - 00555501333

| # | P/N | DESCRIPTION | GTS |
|----|-------------|----------------------------------|-----|
| 1 | 00111940030 | TRELLEBORG 18X8.50-8 4PR TYRE | |
| 2 | 92001640001 | WHEEL RIM | |
| 3 | 92001640000 | COMPLETE WHEEL 18X8.50-8 | |
| 4 | 00111930006 | TUBELESS VALVE TR413 | |
| 5 | 00111250009 | SELF BL. NUT M12X1.5 | |
| 6 | 00111550004 | ELASTIC WASHER M12 | |
| 7 | 00111940013 | PNEUMATIC TRELLEBROG 140-6 4T539 | |
| 8 | 92001160001 | RIM 3.75X6" (4 HOLES Ø85) | |
| 9 | 00111930006 | TUBELESS VALVE TR413 | |
| 10 | 92002160000 | COMPLETE WHEEL 140-6 (4WD) | |
| 11 | 00111300055 | SCREW TE M12X1,25X25 | |
| 12 | 00111550004 | ELASTIC WASHER M12 | |
| 13 | 92003120000 | WHEEL 140-6 (2WD) | |
| 14 | 00777100008 | BEARING 6204 2RS 20x47x14 | |
| 15 | 00777100028 | KOYO BEARING 6303 2RS | |
| 16 | 95303110004 | SPACER D14.5XD35X3 | |
| 17 | 00777270005 | CAP D=47 | |
| 18 | 00111250011 | SELF BL. NUT M14x1,5 | |
| 19 | 00111930001 | CARLISE WHEEL 20X10.00-8 | |
| 20 | 92003110001 | WHEEL RIM 3.75X6" | |

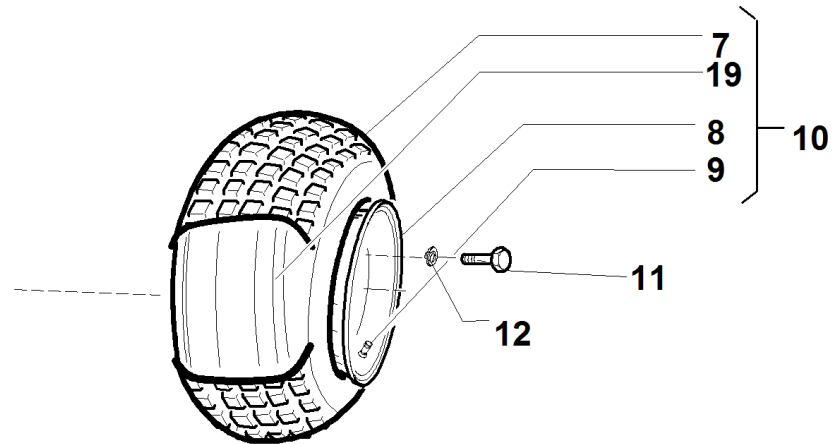
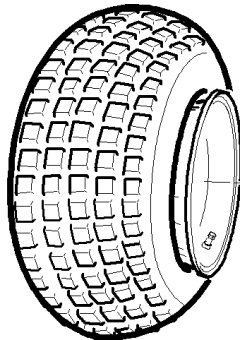
GTS

KING TIRE

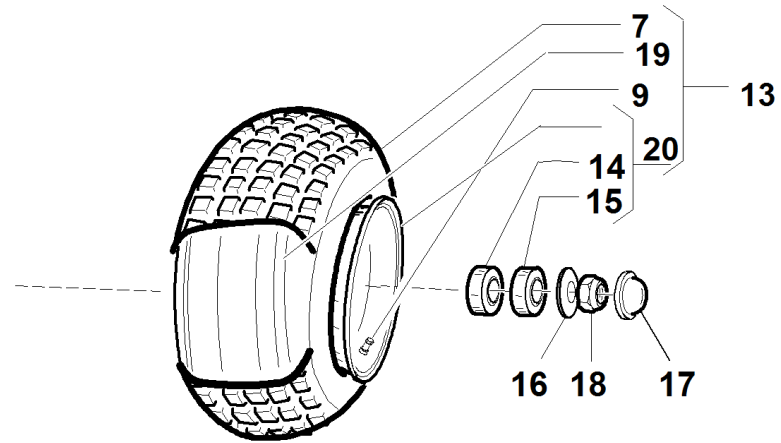
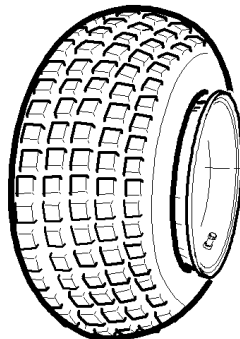


18"

4WD



2WD



13"

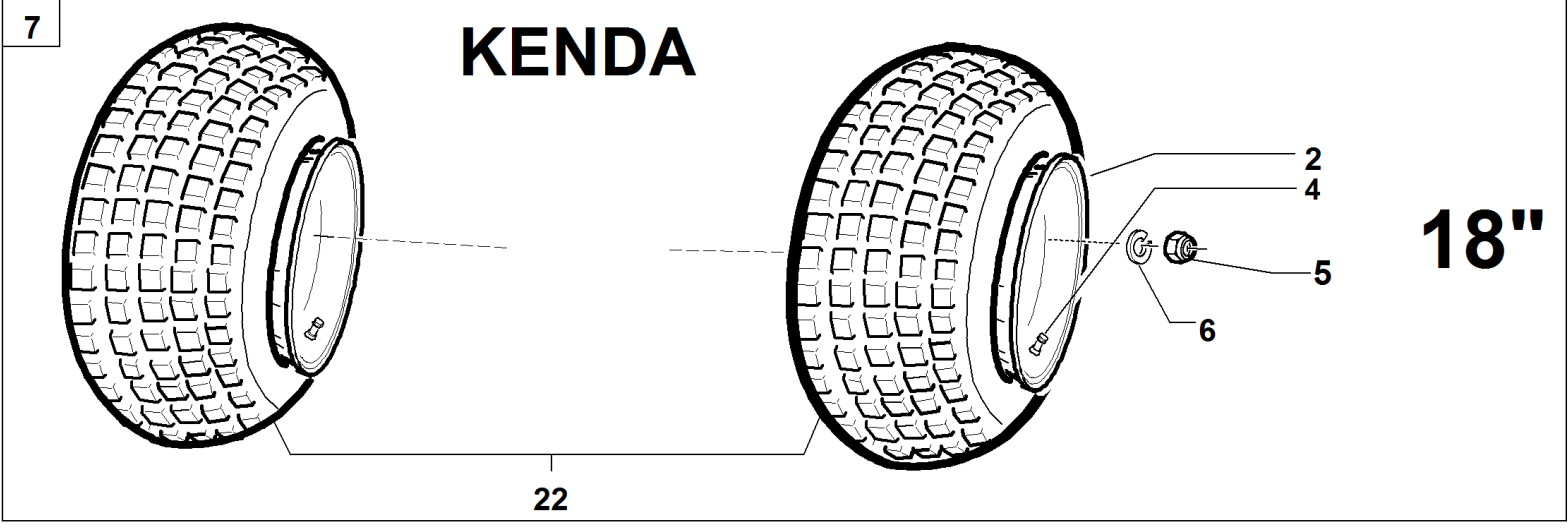
S/N

→ 0903012 ÷ 1104036 ←

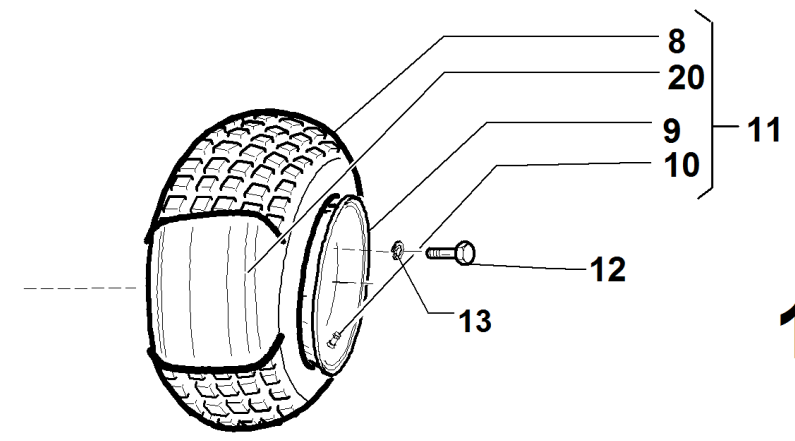
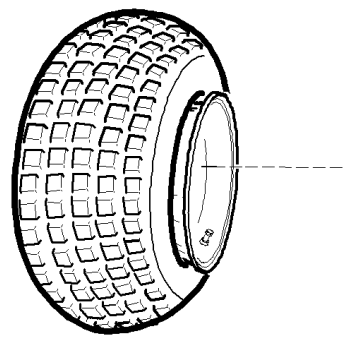
REF. 17 - 00555501318

| # | P/N | DESCRIPTION | GTS |
|----|-------------|---------------------------|-----|
| 1 | 00111940028 | KING TIRE 18X8.00-8 4PR | |
| 2 | 92001170001 | WHEEL RIM 5.75X8" | |
| 3 | 92001510000 | WHEEL 18X8.00-8 | |
| 4 | 00111930006 | TUBELESS VALVE TR413 | |
| 5 | 00111250009 | SELF BL. NUT M12X1.5 | |
| 6 | 00111550004 | ELASTIC WASHER M12 | |
| 7 | 00111940014 | TYRE 13X5.00-6 | |
| 8 | 92001160001 | RIM 3.75X6" (4 HOLES Ø85) | |
| 9 | 00111930006 | TUBELESS VALVE TR413 | |
| 10 | 92001160000 | WHEEL 13X5.00-6 | |
| 11 | 00111300055 | SCREW TE M12X1,25X25 | |
| 12 | 00111550004 | ELASTIC WASHER M12 | |
| 13 | 92003110000 | WHEEL 13X5.00-6 | |
| 14 | 00777100008 | BEARING 6204 2RS 20x47x14 | |
| 15 | 00777100028 | KOYO BEARING 6303 2RS | |
| 16 | 95303110004 | SPACER D14.5XD35X3 | |
| 17 | 00777270005 | CAP D=47 | |
| 18 | 00111250011 | SELF BL. NUT M14x1,5 | |
| 19 | 00111930001 | CARLISE WHEEL 20X10.00-8 | |
| 20 | 92003110001 | WHEEL RIM 3.75X6" | |

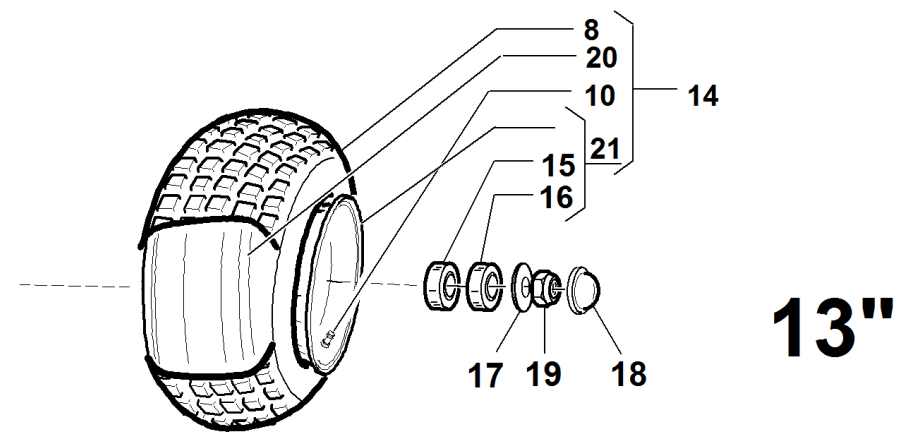
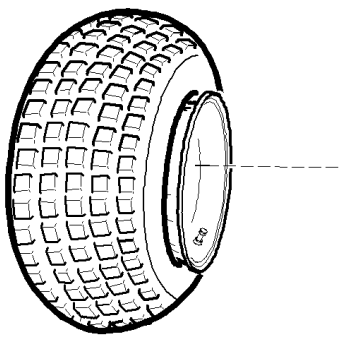
GTS



4WD



2WD



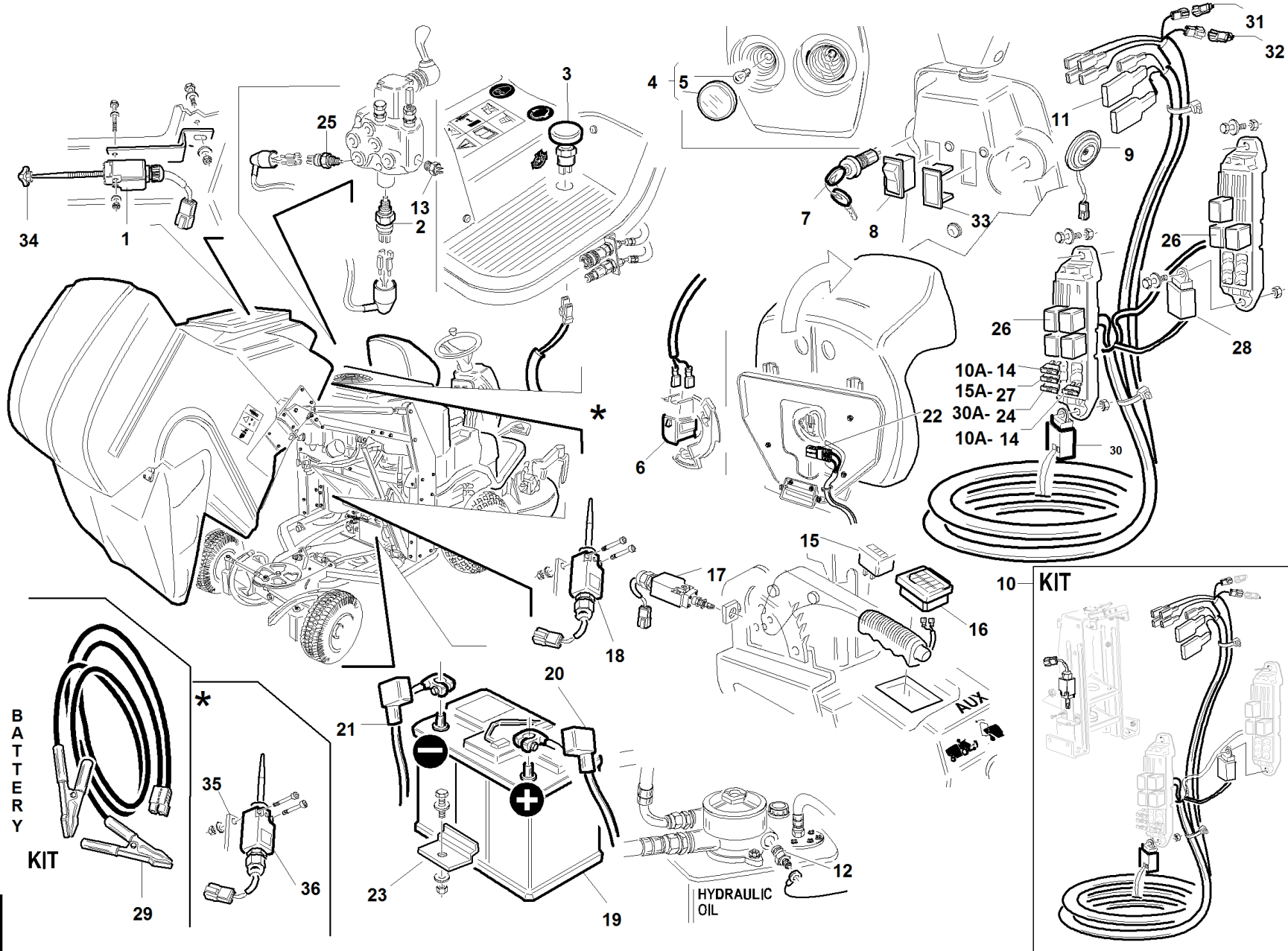
S/N
 → 0811001 ÷ 0903011 ←

REF. 17 - 00555501317

| # | P/N | DESCRIPTION | GTS |
|----|-------------|------------------------------------|-----|
| 2 | 92001170001 | WHEEL RIM 5.75X8" | |
| 4 | 00111930006 | TUBELESS VALVE TR413 | |
| 5 | 00111250009 | SELF BL. NUT M12X1.5 | |
| 6 | 00111550004 | ELASTIC WASHER M12 | |
| 7 | 95598480000 | KING TIRE WHEEL PAIR 18X8.00-8 4PR | |
| 8 | 00111940014 | TYRE 13X5.00-6 | |
| 9 | 92001160001 | RIM 3.75X6" (4 HOLES Ø85) | |
| 10 | 00111930006 | TUBELESS VALVE TR413 | |
| 11 | 92001160000 | WHEEL 13X5.00-6 | |
| 12 | 00111300055 | SCREW TE M12X1,25X25 | |
| 13 | 00111550004 | ELASTIC WASHER M12 | |
| 14 | 92003110000 | WHEEL 13X5.00-6 | |
| 15 | 00777100008 | BEARING 6204 2RS 20x47x14 | |
| 16 | 00777100028 | KOYO BEARING 6303 2RS | |
| 17 | 95303110004 | SPACER D14.5XD35X3 | |
| 18 | 00777270005 | CAP D=47 | |
| 19 | 00111250011 | SELF BL. NUT M14x1,5 | |
| 20 | 00111930001 | CARLISE WHEEL 20X10.00-8 | |
| 21 | 92003110001 | WHEEL RIM 3.75X6" | |
| 22 | 95598610000 | PNEUMATIC PAIR KING TIRE | |

| # | P/N | DESCRIPTION | GTS-DIESEL | REF. 18 - 00555501340 |
|----|-------------|--|------------|-----------------------|
| 1 | 92001290009 | FULL HOPPER WIRED MICRO SWITCH | | |
| 2 | 00777800202 | PTO MICRO SWITCH | | |
| 3 | 91002140011 | DIFFERENTIAL BLOCK SWITCH | | |
| 4 | 00777800137 | PROJECTOR | | |
| 5 | 95599000021 | LAMP WITH SUPPORT | | |
| 6 | 00777800216 | SEAT MICRO SWITCH | | |
| 7 | 00777800130 | KUBOTA KEY BLOCK | | |
| 8 | 00777800007 | SWITCH | | |
| 9 | 00777800022 | HORN 12V | | |
| 10 | 92006120005 | | | |
| 11 | 00777800228 | TIMER PANEL | | |
| 12 | 95599000061 | DIFFERENTIAL PRESSURE SWITCH | | |
| 13 | 00777800227 | PRESSURE SWITCH | | |
| 14 | 00777800212 | MICRO BLADE FUSE 10A | | |
| 15 | 00777800219 | HOUR METER | | |
| 16 | 00777800232 | PILOT LIGHTS INSTRUMENT | | |
| 17 | 94011250000 | TG 200 HANDBRAKE WIRED MICRO | | |
| 18 | 94500650000 | CLOSE HOPPER WIRED MICRO | | |
| 19 | 95599000036 | BATTERY 12V 43A | | |
| 20 | 92006120002 | | | |
| 21 | 92006120003 | | | |
| 22 | 92001290004 | WIRED EMERGENCY BATTERY PLUG | | |
| 23 | 94500000079 | BRACKET FIXING BATTERY | | |
| 24 | 00777800231 | MICRO BLADE FUSE 30A | | |
| 25 | 00777800211 | THERMOSTAT EUROS SWITCH 95°C | | |
| 26 | 00777800059 | MICRO RELAYS 12V | | |
| 28 | 00777800173 | KUBOTA RELAY T0070-31410 | | |
| 29 | 92001290005 | WIRED BATTERY PLUG | | |
| 30 | 00777800234 | RELE PRERISCALDO KUBOTA NGK LAMPTIMER DC | | |
| 31 | 00777800236 | ELECTRIC DIODE IN 400 1A W/CONNECTOR | | |
| 32 | 00777800235 | ELECTRIC DIODE BY 255 3A W/CONNECTOR | | |
| 33 | 00111970159 | PLUG | | |
| 34 | 00111970042 | FEMALE KNOB THB20M4 | | |
| 35 | 92006000030 | ENGINE-COVER MICROSWITCH SUPPORT | | |
| 36 | 91008110003 | CLOSED HOOD WIRED MICRO SWITCH | | |
| 37 | 95410140002 | | | |
| 38 | 00111000035 | SELF BLOC. NUT M6 | | |
| 39 | 92111000005 | | | |

GTS-DIESEL



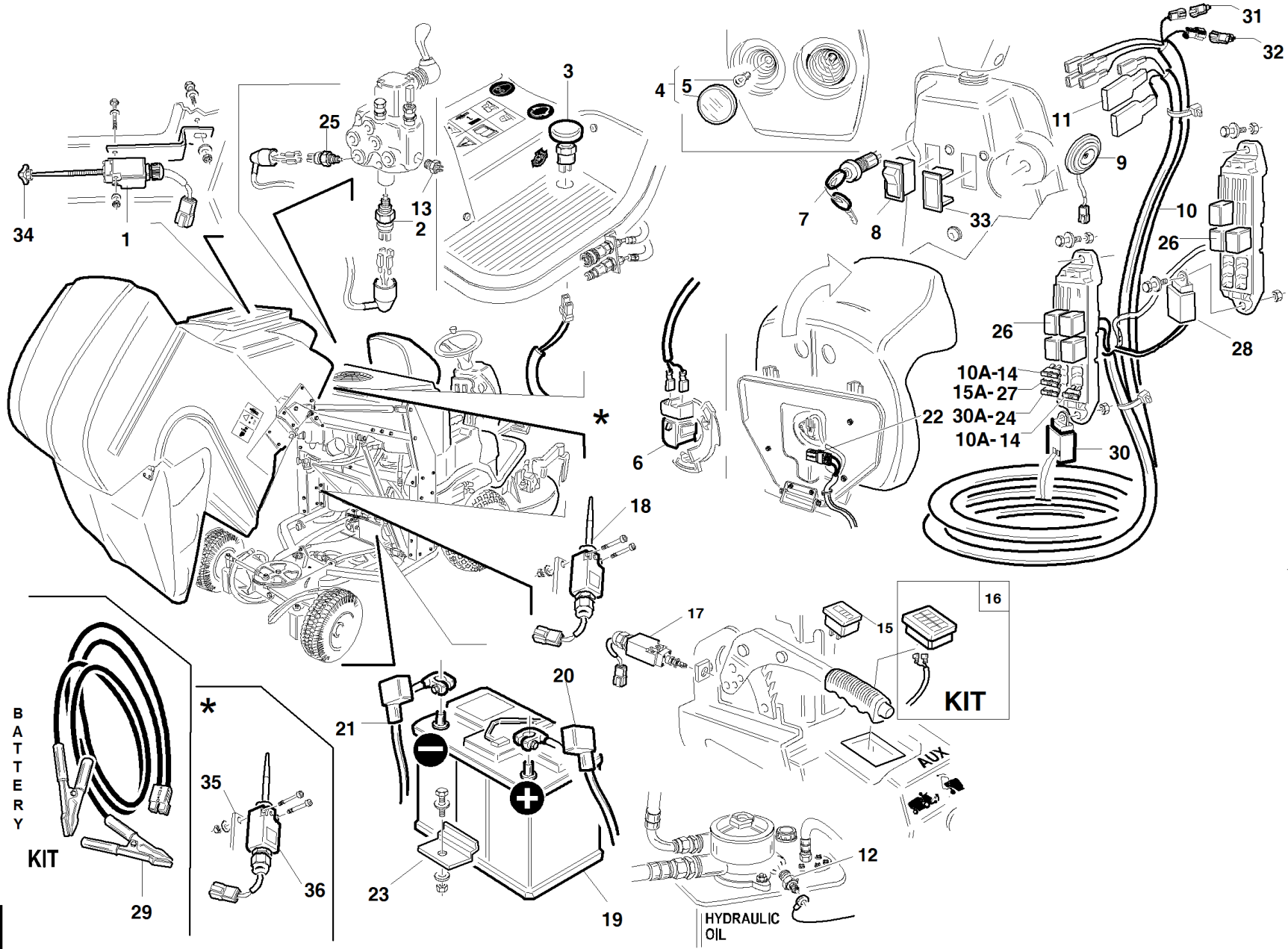
S/N

→ **1104009 ÷ 1202005** ←

REF. 18 - 0055501332

| # | P/N | DESCRIPTION | GTS-DIESEL | REF. 18 - 0055501332 |
|----|-------------|--|------------|----------------------|
| 1 | 92001290009 | FULL HOPPER WIRED MICRO SWITCH | | |
| 2 | 00777800202 | PTO MICRO SWITCH | | |
| 3 | 91002140011 | DIFFERENTIAL BLOCK SWITCH | | |
| 4 | 00777800137 | PROJECTOR | | |
| 5 | 95599000021 | LAMP WITH SUPPORT | | |
| 6 | 00777800216 | SEAT MICRO SWITCH | | |
| 7 | 00777800230 | DIESEL COBO STARTER SWITCH | | |
| 8 | 00777800007 | SWITCH | | |
| 9 | 00777800022 | HORN 12V | | |
| 10 | 95597180000 | | | |
| 11 | 00777800228 | TIMER PANEL | | |
| 12 | 95599000061 | DIFFERENTIAL PRESSURE SWITCH | | |
| 13 | 00777800227 | PRESSURE SWITCH | | |
| 14 | 00777800212 | MICRO BLADE FUSE 10A | | |
| 15 | 00777800219 | HOUR METER | | |
| 16 | 00777800232 | PILOT LIGHTS INSTRUMENT | | |
| 17 | 94011250000 | TG 200 HANDBRAKE WIRED MICRO | | |
| 18 | 94500650000 | CLOSE HOPPER WIRED MICRO | | |
| 19 | 95599000036 | BATTERY 12V 43A | | |
| 20 | 92006120002 | | | |
| 21 | 92006120003 | | | |
| 22 | 92001290004 | WIRED EMERGENCY BATTERY PLUG | | |
| 23 | 94500000079 | BRACKET FIXING BATTERY | | |
| 24 | 00777800231 | MICRO BLADE FUSE 30A | | |
| 25 | 00777800211 | THERMOSTAT EUROS SWITCH 95°C | | |
| 26 | 00777800059 | MICRO RELAYS 12V | | |
| 27 | 00777800213 | MICRO BLADE FUSE 15A | | |
| 28 | 00777800173 | KUBOTA RELAY T0070-31410 | | |
| 29 | 92001290005 | WIRED BATTERY PLUG | | |
| 30 | 00777800234 | RELE PRERISCALDO KUBOTA NGK LAMPTIMER DC | | |
| 31 | 00777800236 | ELECTRIC DIODE IN 400 1A W/CONNECTOR | | |
| 32 | 00777800235 | ELECTRIC DIODE BY 255 3A W/CONNECTOR | | |
| 33 | 00111970159 | PLUG | | |
| 34 | 00111970042 | FEMALE KNOB THB20M4 | | |
| 35 | 92006000030 | ENGINE-COVER MICROSWITCH SUPPORT | | |
| 36 | 91008110003 | CLOSED HOOD WIRED MICRO SWITCH | | |

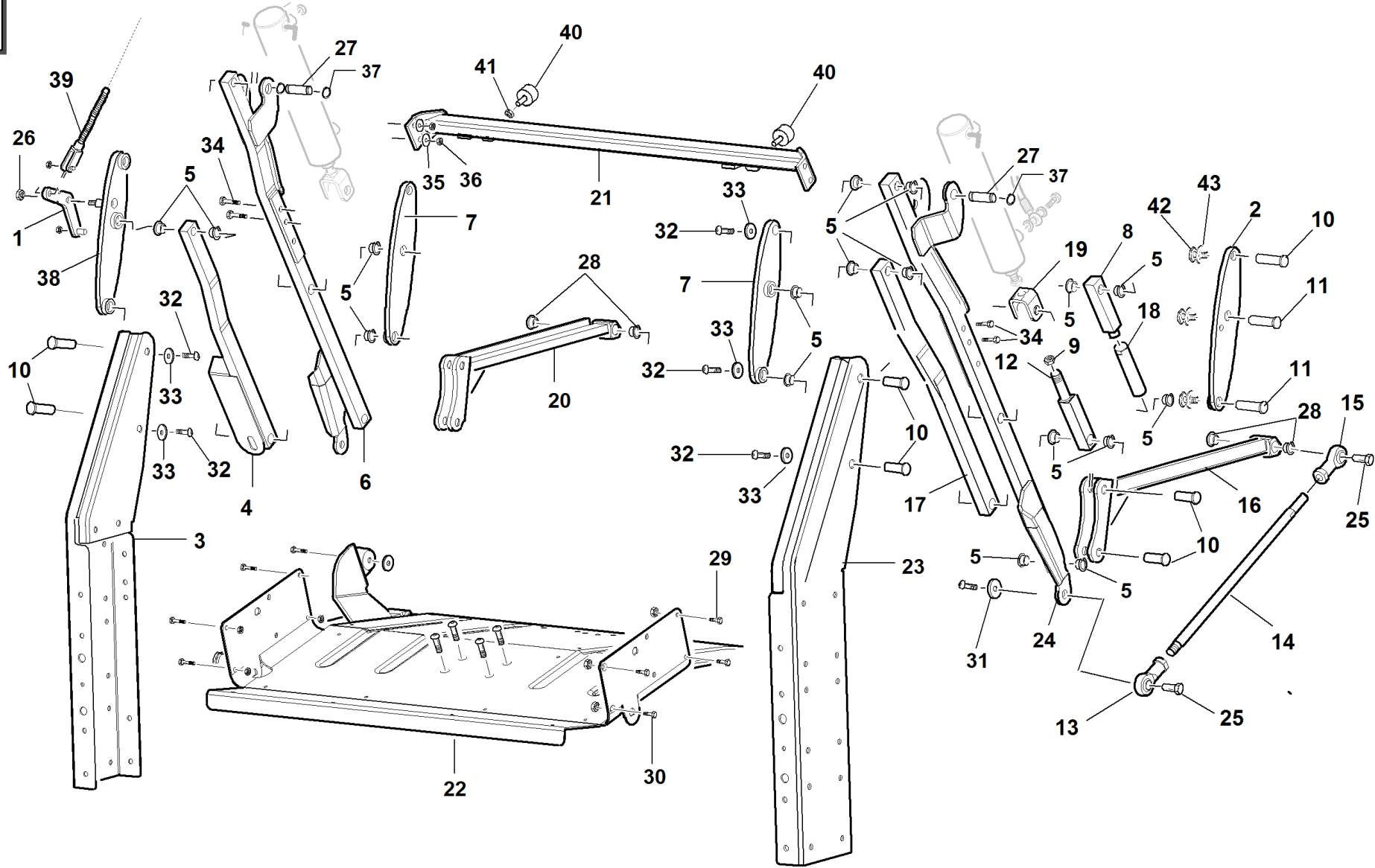
GTS-DIESEL



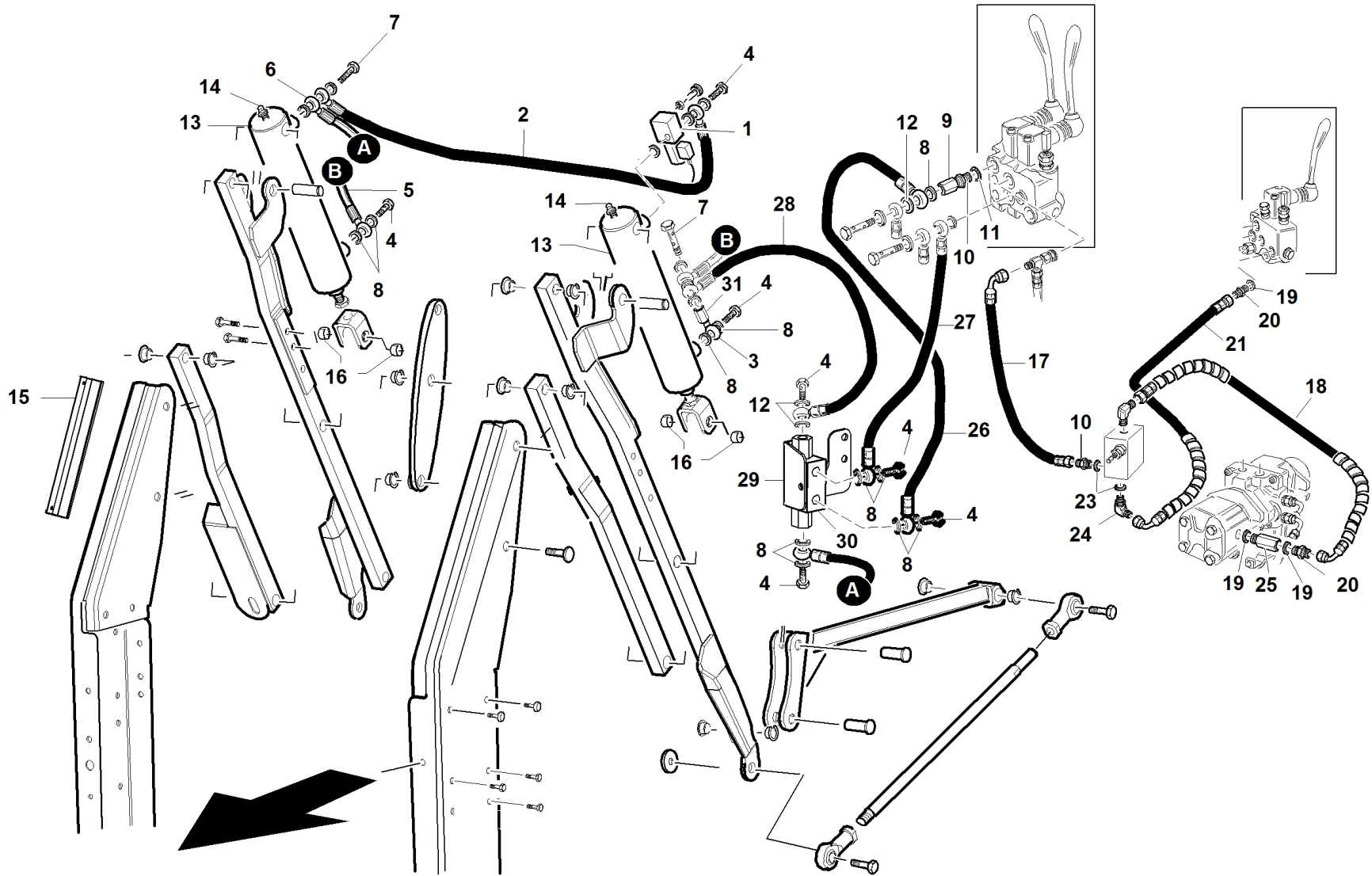
S/N
 → 1003053 ÷ 1103909 ←

REF. 18 - 00555501325

GTS



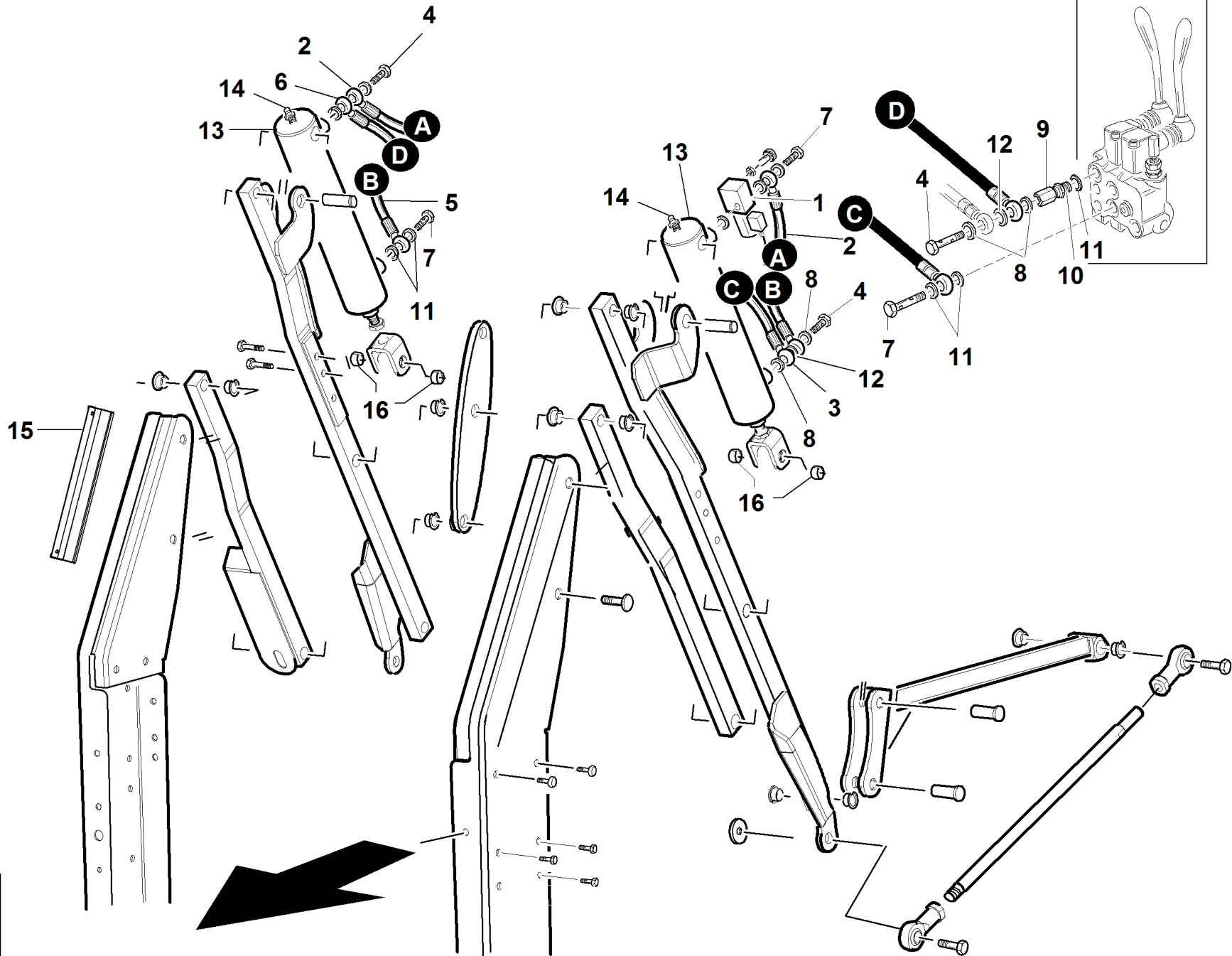
| # | P/N | DESCRIPTION | GTS |
|----|-------------|--------------------------------------|-----|
| 1 | 92007000009 | HOPPER OPEN BAR | |
| 2 | 92007170000 | HOPPER LIFT LEFY EXT. BAR | |
| 3 | 94500330000 | RIGHT OVERTURNING HOPPER COLUMN | |
| 4 | 92007210000 | HOPPER LIFTING ARM LOWER | |
| 5 | 00111530003 | BUSHING TFF 14X16 L=9 | |
| 6 | 92007130000 | HOPPER LIFTING RIGHT ARM | |
| 7 | 92007190000 | HOPPER LIFT INT. BAR | |
| 8 | 94500000005 | ARM BUSHING M16X1.5 | |
| 9 | 00111150005 | NUT M16X1.5 | |
| 10 | 92007000007 | LIFTING BAR PIN Ø14 | |
| 11 | 92007000008 | LIFTING BAR PIN Ø16 | |
| 12 | 94500000006 | BUSHING M16X1.5 | |
| 13 | 00777200028 | ARTICULATION HEAD TF14 RIGHT SPHEROX | |
| 14 | 92007000003 | HOPPER OVERTURNING ROD | |
| 15 | 00777200029 | ARTICULATION HEAD TFL14 SX SPHEROX | |
| 16 | 92007140000 | HOPPER LIFTING LEFT ARM | |
| 17 | 92007000004 | LOWER HOPPER LIFT ARM | |
| 18 | 92007000002 | THREADED ROUND ROD | |
| 19 | 92007000005 | LIFTING CYLINDER FORK | |
| 20 | 92007150000 | HOPPER LIFTING RIGHT ARM | |
| 21 | 92007200000 | HOPPER LIFT. CROSS BAR | |
| 22 | 92007160000 | HOPPER BOTTOM COMPL. | |
| 23 | 94500340000 | LEFT OVERTURNING HOPPER COLUMN | |
| 24 | 92007120000 | HOPPER LIFT ARM LEFT | |
| 25 | 92007000014 | SHAFT-TYE ROD HOPPER LIFT. | |
| 26 | 00111000080 | SELF BLO. SCREW M10 | |
| 27 | 92007000006 | LIFTING CYL. FIXING PIN | |
| 28 | 00111530013 | BUSHING FRIMET TFF 16/18/9 | |
| 29 | 00111350023 | SCREW TSPEI M6X20 | |
| 30 | 00111300011 | SCREW TE M6X20 | |
| 31 | 00111000132 | WASHER P. 8,4X32X2,5 ZNT | |
| 32 | 00111450014 | SCREW FR M6X12 | |
| 33 | 00111000037 | WASHER 6.6X18X2 | |
| 34 | 00111300059 | SCREW TE M10X45 | |
| 35 | 00111000015 | WASHER D.10,5X21X2 | |
| 36 | 00111250013 | SELF BL.NUT M10 | |
| 37 | 00111650014 | SNAP RING D.17 E | |
| 38 | 92007180000 | HOPPER LIFT RIGHT EXT.BAR | |
| 39 | 92007000012 | OPENING HOPPER CABLE | |
| 40 | 00111970179 | VIBRATION-DAMPING STOPPER | |
| 41 | 00111000082 | NUT M8 | |
| 42 | 00111450014 | SCREW FR M6X12 | |
| 43 | 00111000037 | WASHER 6.6X18X2 | |



S/N
→1009017

REF. 20 - 00555501327

| # | P/N | DESCRIPTION | GTS |
|----|-------------|--|-----|
| 1 | 92007000001 | HIGH DUMP ELECTRIC VALVE | |
| 2 | 92007110001 | HOSE 1/4" 1SC | |
| 3 | 00777600108 | "THREATED EYES 1/4 X 1/4" | |
| 4 | 00777600040 | SIMPLE CABLE BOLT | |
| 5 | 92007110004 | HOSE 1/4" 1SC | |
| 6 | 92007110007 | HOSE 1/4" 1SC | |
| 7 | 00777600039 | DOUBLE CABLE BOLT | |
| 8 | 00777600001 | WASHER COPPER 1/4 | |
| 9 | 00777600138 | EXTENSION 1/4 L=35 | |
| 10 | 00777600015 | NIPPLE 3/8 | |
| 11 | 00777600003 | WASHER COPPER 3/8 | |
| 12 | 00777600038 | WASHER BONDED 1/4 | |
| 13 | 92007101001 | LIFT CYLINDER | |
| 14 | 00111000036 | GREASER M6 | |
| 15 | 92007000018 | EL.VALVE WIRE HARNESS PROTECTION | |
| 16 | 00111530014 | BUSHING FRIMET TFP M1405 | |
| 17 | 92006180012 | HOSE | |
| 18 | 92006180013 | HOSE 1/2 2SC F90°1/2-F1/2 L=530 +SPIRALE | |
| 19 | 00777600128 | WASHER 1/2 | |
| 20 | 00777600125 | NIPPLE 1/2 - 1/2 | |
| 21 | 92006180014 | HOSE 1/2 | |
| 23 | 00777600003 | WASHER COPPER 3/8 | |
| 24 | 00777600191 | | |
| 25 | 00777600192 | | |
| 26 | 92007110005 | TUBE 1/4 1SC OC1/4-OC1/4 L=880 135° | |
| 27 | 92007110006 | TUBE 1/4 1SC OC1/4-OC3/8 L=880 135° | |
| 28 | 92007110008 | HOSE 1/4" 1SC | |
| 29 | 92007000017 | | |
| 30 | 92007000016 | BLOCK VALVE | |
| 31 | 00777600138 | EXTENSION 1/4 L=35 | |



S/N

→ **0811001 ÷ 1009016** ←

REF. 20 - 00555501341

#

P/N

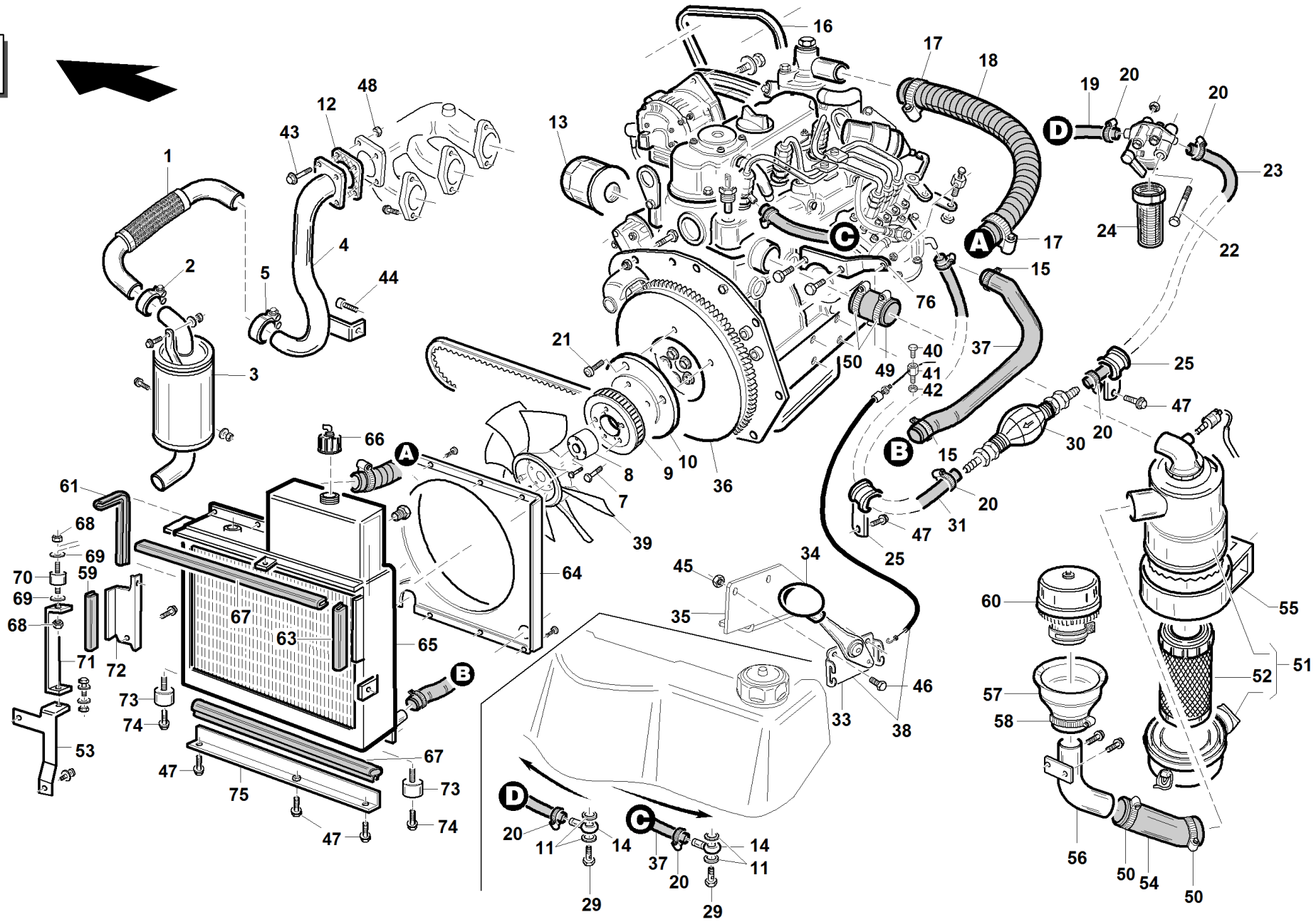
DESCRIPTION

GTS

REF. 20 - 00555501341

| | | | |
|----|-------------|----------------------------------|--|
| 1 | 92007000001 | HIGH DUMP ELECTRIC VALVE | |
| 2 | 92007110001 | HOSE 1/4" 1SC | |
| 3 | 92007110003 | HOSE 1/4" 1SC | |
| 4 | 00777600039 | DOUBLE CABLE BOLT | |
| 5 | 92007110004 | HOSE 1/4" 1SC | |
| 6 | 92007110002 | HOSE 1/4" 1SC | |
| 7 | 00777600133 | DOUBLE CABLE BOLT | |
| 8 | 00777600001 | WASHER COPPER 1/4 | |
| 9 | 00777600138 | EXTENSION 1/4 L=35 | |
| 10 | 00777600015 | NIPPLE 3/8 | |
| 11 | 00777600003 | WASHER COPPER 3/8 | |
| 12 | 00777600038 | WASHER BONDED 1/4 | |
| 13 | 92007101001 | LIFT CYLINDER | |
| 14 | 00111000036 | GREASER M6 | |
| 15 | 92007000018 | EL.VALVE WIRE HARNESS PROTECTION | |
| 16 | 00111530014 | BUSHING FRIMET TFP M1405 | |

KUBOTA 902



| | | | | |
|----|-------------|------------------------------------|--|--|
| 1 | 92006000020 | FLEXIBLE EXHAUST COLLECTOR | | |
| 2 | 00111810038 | | | |
| 3 | 92006000028 | GTS220D EXHAUST | | |
| 4 | 92006000019 | EXHAUST MANIFOLD | | |
| 5 | 00111810039 | CLAMP | | |
| 6 | 00111300100 | | | |
| 7 | 00111000033 | SCREW TE M8X30 | | |
| 8 | 92006000011 | FAN CLAMPING SPACER | | |
| 9 | 92006100000 | DRIVING PULLEY "POLY CHAIN 8M-45S" | | |
| 10 | 92006000010 | | | |
| 11 | 00777600003 | WASHER COPPER 3/8 | | |
| 12 | 00111990137 | | | |
| 13 | 00777650046 | KUBOTA ENGINE OIL FILTER | | |
| 14 | 00777600142 | METAL EYELET 3/8-1/4 | | |
| 15 | 00111810013 | CLAMP 20-32 TYPE NORMA | | |
| 16 | 00111980028 | BELT KUBOTA | | |
| 17 | 00111810033 | CLAMP INOX 25-40 | | |
| 18 | 92006000004 | RADIATOR INTAKE HOSE | | |
| 19 | 92006000032 | | | |
| 20 | 00111810010 | CLAMP 10-16 TYPE NORMA | | |
| 21 | 00111400045 | | | |
| 22 | 00111300025 | SCREW TE M6X50 | | |
| 23 | 95317000004 | PETROL HOSE | | |
| 24 | 00777650047 | KUBOTA FUEL FILTER | | |
| 25 | 00111810036 | CLAMP Ø16 | | |
| 29 | 00777600041 | EMPTY SCREW 3/8 | | |
| 30 | 00777710007 | MANUAL PUMP | | |
| 31 | 95202000003 | | | |
| 33 | 00111990104 | THROTTLE LEVER WITH BLACK KNOB | | |
| 34 | 00111610004 | BLACK ACCELERATOR LEVER | | |
| 35 | 92001000041 | ACCELERATOR LEVER SUPPORT | | |
| 36 | 00777700034 | KUBOTA ENGINE D902 22 HP | | |
| 37 | 92006000005 | RADIATOR OUT HOSE | | |
| 38 | 92006200000 | THROTTLE LEVER WITH CABLE | | |
| 39 | 92006000003 | FAN MW 350/8/35/1H/PAG/RS | | |
| 40 | 00111000184 | SCREW TE M5X10 | | |
| 41 | 95124000014 | LOCK ACCELERATOR CABLE | | |
| 42 | 00111000035 | SELF BLOC. NUT M6 | | |
| 43 | 00111450002 | SCREW WASHER M8X30 | | |
| 44 | 00111400031 | SCREW TCEI | | |
| 45 | 00111000183 | SELF BL. NUT M5 | | |
| 46 | 00111400028 | ALLEN SCREW M5X14 | | |
| 47 | 00111450005 | SCREW/W M6X16 | | |
| 48 | 00111250018 | NUT "CONEKLOK" M8 | | |
| 49 | 92006000006 | ENGINE ASPIRATION HOSE | | |
| 50 | 00111810012 | CLAMP 40-60 TYPE NORMA | | |
| 51 | 00777650057 | DONALDSON AIR FILTER | | |
| 52 | 00777650042 | AIR FILTER CARTRIDGE | | |
| 53 | 92006220000 | LEFT ENGINE HOOD SUPPORT | | |
| 54 | 92006000007 | AIR FILTER HOSE | | |
| 55 | 00777650043 | BRACKET AIR FILTER SUPPORT | | |
| 56 | 92006130000 | HOSE | | |
| 57 | 92006000029 | AIR PRE-FILTER HOSE | | |
| 58 | 00111810040 | CLAMP TYPE NORMA 50-70 | | |
| 59 | 95599000090 | | | |
| 60 | 00777650059 | AIR PRE-FILTER | | |
| 61 | 95599000089 | | | |
| 62 | 92006230000 | RADIATOR LOWER CLOSER | | |
| 63 | 95599000091 | | | |

#

P/N

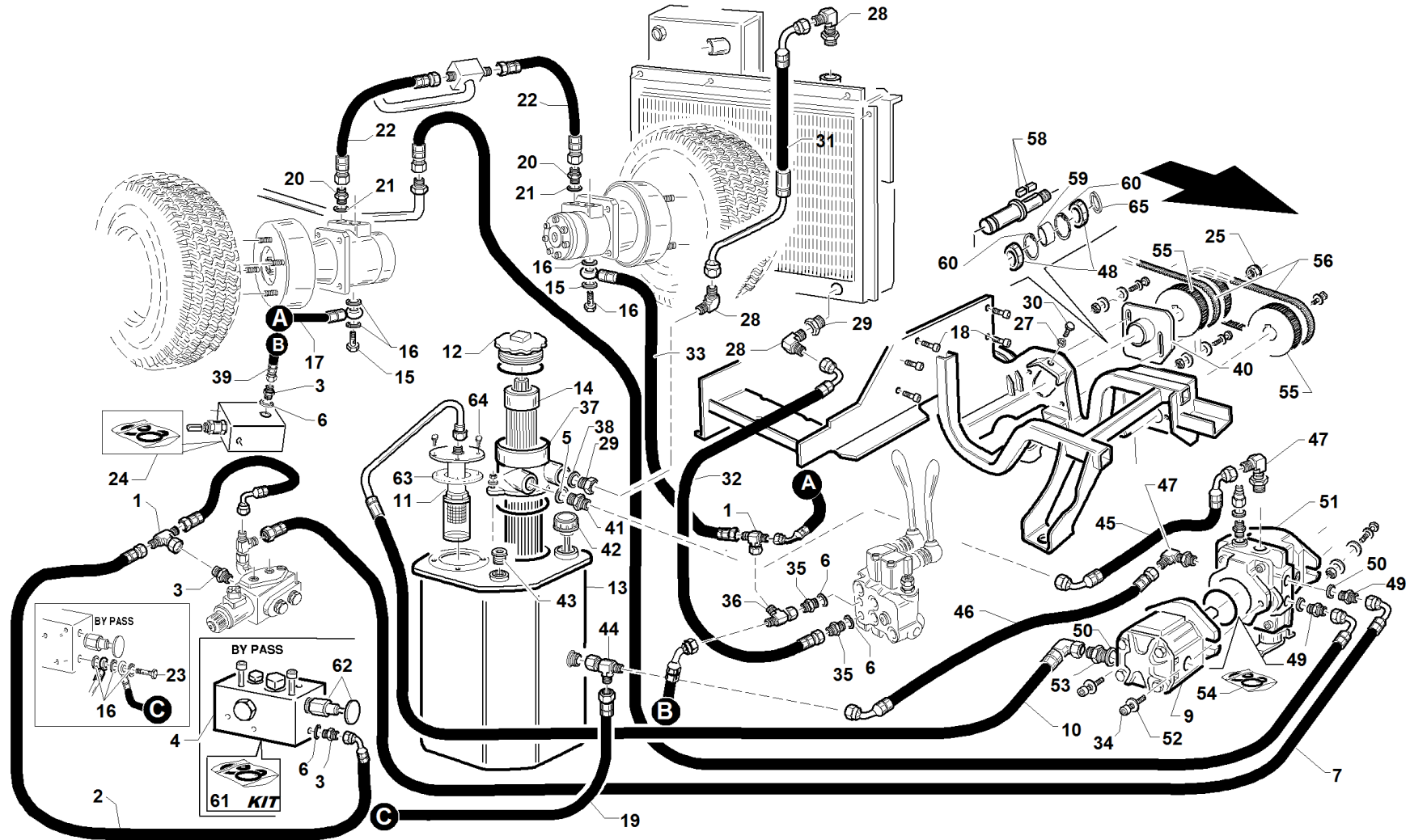
DESCRIPTION

KUBOTA 902

REF. 21 - 00555501328

| | | |
|----|-------------|---------------------------------------|
| 64 | 92006000001 | GTS RADIATOR CONVEYOR |
| 65 | 92006000025 | OIL-WATER RADIATOR 94 mm |
| 66 | 95599000042 | RADIATOR CAP |
| 67 | 95599000088 | |
| 68 | 00111000166 | SELF BL. SCREW M6 |
| 69 | 00111000037 | WASHER 6.6X18X2 |
| 70 | 00111970213 | |
| 71 | 92006000027 | EXTERNAL FIXING RADIATOR BRACKET |
| 72 | 92006000022 | RADIATOR LOW-FRONT CLOSER |
| 73 | 00111970127 | STOPPER M8 D30X20 |
| 74 | 00111000059 | FAKE SCREW/WASH. M8X14 |
| 75 | 92006230000 | RADIATOR LOWER CLOSER |
| 76 | 92006000014 | STAFFA SUPPORTO CAVO ACCELERATORE ZNT |

GTS-D



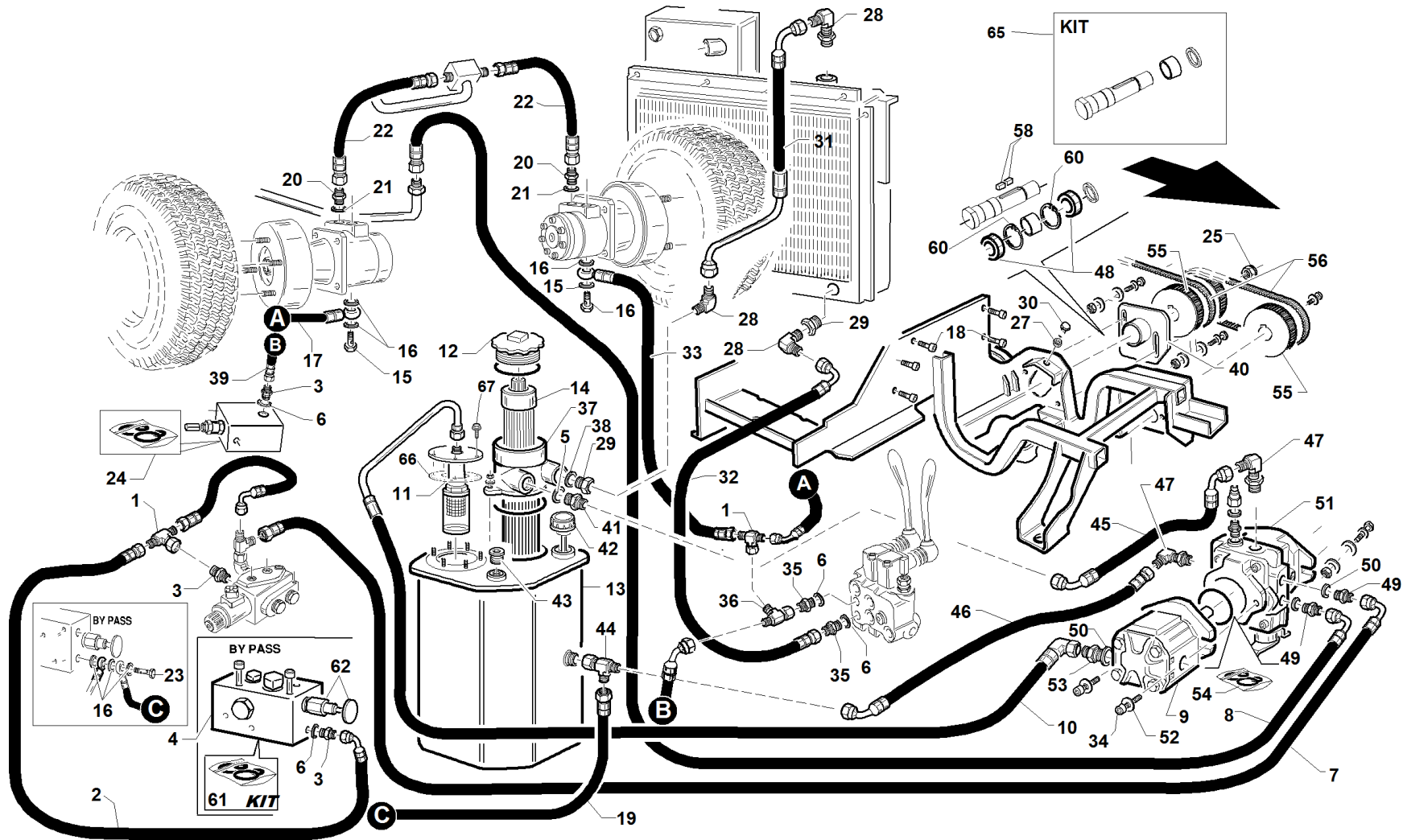
S/N
→1102008

REF.22 - 00555501329

| # | P/N | DESCRIPTION | GTS-D |
|----|-------------|---|-------|
| 1 | 00777600178 | T-ADAPTER 3/8 | |
| 2 | 92006180017 | HOSE | |
| 3 | 00777600015 | NIPPLE 3/8 | |
| 4 | 95303000026 | VALVE BLOCK | |
| 5 | 00777600131 | WASHER 3/4 | |
| 6 | 00777600003 | WASHER COPPER 3/8 | |
| 7 | 92006180006 | HOSE 1/2 2SC F90°1/2-F3/8 L=950 | |
| 9 | 92001000001 | HYDR. PUMP 11cc | |
| 10 | 92006180009 | PUMP FEED LINE - Z | |
| 11 | 92001000008 | 250 MICRON PLUNGED FILTER | |
| 12 | 95599000086 | FILTER CAP | |
| 13 | 92001140000 | OIL TANK | |
| 14 | 00777650069 | RETURN FILTER CARTRIDGE 12 MICRON | |
| 15 | 00777600040 | SIMPLE CABLE BOLT | |
| 16 | 00777600001 | WASHER COPPER 1/4 | |
| 17 | 92006180004 | TUBE 1/4 | |
| 18 | 00111400031 | SCREW TCEI | |
| 19 | 92006180007 | HOSE | |
| 20 | 00777600125 | NIPPLE 1/2 - 1/2 | |
| 21 | 00777600117 | COPPER WASHER 1/2" | |
| 22 | 92002120007 | HOSE 3/8 1SC F1/2-F1/2 L=600 | |
| 23 | 00777600039 | DOUBLE CABLE BOLT | |
| 24 | 95598500000 | GTS HIGH DUMP CYL.GASKET KIT | |
| 25 | 00111250007 | SELF BL. NUT M20X1.5 | |
| 27 | 00111150002 | NUT M10 6S ZNT | |
| 28 | 00777600134 | ADAPTER 90° M/M 3/4 ADJUSTABLE | |
| 29 | 00777600179 | REDUCTION PLUG 3/4 | |
| 30 | 00111300029 | SCREW TE M10X55 | |
| 31 | 92006180015 | RADIATOR OUT TUBE | |
| 32 | 92006180016 | HOSE | |
| 33 | 92006180005 | TUBE 1/4 | |
| 34 | 00111400010 | SCREW M10X30 8.8 UNI 5931 | |
| 35 | 00777600135 | NIPPLE 3/4-3/8 | |
| 36 | 00777600158 | ADAPTER 3/8 ROTATING | |
| 37 | 91001000013 | OIL FILTER 12 MICRO | |
| 38 | 00777600159 | COPPER WASHER 1" | |
| 39 | 92006180012 | HOSE | |
| 40 | 92006140000 | TIGHTENER SUPPORT | |
| 41 | 00777600157 | NIPPLE 1"-3/4 | |
| 42 | 00777600176 | IN PRESSURING PLUG 0.25BAR 3/4" LMAX=41 | |
| 43 | 00777600172 | HEXAGONAL PLUG WITH OR 3/4 BSP | |
| 44 | 00777600169 | ADAPTER 1/2 ROTATING | |
| 45 | 92006180011 | HOSE 1/2 1SC F90°1/2-F90°1/2 L=215 180° | |
| 46 | 92006180010 | HOSE 5/8 | |
| 47 | 00777600124 | ADAPTER 90° M/M 1/2 ADJUSTABLE | |
| 48 | 00777100059 | BEARING CLA 6005 2RS1 25X47X12 | |
| 49 | 00777600156 | NIPPLE 1/2 - 3/8 | |
| 50 | 00777600128 | WASHER 1/2 | |
| 51 | 92006000002 | | |
| 52 | 00111550005 | WASHER M10 | |
| 53 | 00777600130 | NIPPLE 3/4-1/2 | |
| 54 | 95598400000 | PUMP MD10V 14/18 SEAL KIT | |
| 55 | 92006110000 | PULLEY POLY CHAIN 8M-50S | |
| 56 | 00111980042 | BELT POLY CHAIN GT2 896-8MGT-12 | |
| 58 | 00111900022 | TONGUE 1/4 X 1/4 X 14,5 | |
| 59 | 92006000034 | SPACER Ø30XØ25.2X17.8 | |
| 60 | 00111000058 | SNAP RING D.47 I | |
| 61 | 95598590000 | VALVE HTC 4WD GASKET KIT | |
| 62 | 95599000092 | VALVE MCD 28/2202-PBFB | |

#**P/N****DESCRIPTION****GTS-D****REF. 22 - 00555501329**63
64
6592001000042
00111450005
92006000033IMMERSED FILTER GASKET
SCREW/W M6X16
SPACER

GTS-D



S/N

→ **1003053 ÷ 1112007** ←

REF.22 - 00555501337

| # | P/N | DESCRIPTION | GTS-D |
|----|-------------|---|-------|
| 1 | 00777600178 | T-ADAPTER 3/8 | |
| 2 | 92006180017 | HOSE | |
| 3 | 00777600015 | NIPPLE 3/8 | |
| 4 | 95303000026 | VALVE BLOCK | |
| 5 | 00777600131 | WASHER 3/4 | |
| 6 | 00777600003 | WASHER COPPER 3/8 | |
| 7 | 92006180006 | HOSE 1/2 2SC F90°1/2-F3/8 L=950 | |
| 9 | 92001000001 | HYDR. PUMP 11cc | |
| 10 | 92006180009 | PUMP FEED LINE - Z | |
| 11 | 92001000008 | 250 MICRON PLUNGED FILTER | |
| 12 | 95599000086 | FILTER CAP | |
| 13 | 92001140000 | OIL TANK | |
| 14 | 00777650069 | RETURN FILTER CARTRIDGE 12 MICRON | |
| 15 | 00777600040 | SIMPLE CABLE BOLT | |
| 16 | 00777600001 | WASHER COPPER 1/4 | |
| 17 | 92006180004 | TUBE 1/4 | |
| 18 | 00111400031 | SCREW TCEI | |
| 19 | 92006180007 | HOSE | |
| 20 | 00777600125 | NIPPLE 1/2 - 1/2 | |
| 21 | 00777600117 | COPPER WASHER 1/2" | |
| 22 | 92002120007 | HOSE 3/8 1SC F1/2-F1/2 L=600 | |
| 23 | 00777600039 | DOUBLE CABLE BOLT | |
| 24 | 95598500000 | GTS HIGH DUMP CYL.GASKET KIT | |
| 25 | 00111250007 | SELF BL. NUT M20X1.5 | |
| 27 | 00111150002 | NUT M10 6S ZNT | |
| 28 | 00777600134 | ADAPTER 90° M/M 3/4 ADJUSTABLE | |
| 29 | 00777600179 | REDUCTION PLUG 3/4 | |
| 30 | 00111300029 | SCREW TE M10X55 | |
| 31 | 92006180015 | RADIATOR OUT TUBE | |
| 32 | 92006180016 | HOSE | |
| 33 | 92006180005 | TUBE 1/4 | |
| 34 | 00111400010 | SCREW M10X30 8.8 UNI 5931 | |
| 35 | 00777600135 | NIPPLE 3/4-3/8 | |
| 36 | 00777600158 | ADAPTER 3/8 ROTATING | |
| 37 | 91001000013 | OIL FILTER 12 MICRO | |
| 38 | 00777600159 | COPPER WASHER 1" | |
| 39 | 92006180012 | HOSE | |
| 40 | 92006140000 | TIGHTENER SUPPORT | |
| 41 | 00777600157 | NIPPLE 1"-3/4 | |
| 42 | 00777600176 | IN PRESSURING PLUG 0.25BAR 3/4" LMAX=41 | |
| 43 | 00777600172 | HEXAGONAL PLUG WITH OR 3/4 BSP | |
| 44 | 00777600169 | ADAPTER 1/2 ROTATING | |
| 45 | 92006180011 | HOSE 1/2 1SC F90°1/2-F90°1/2 L=215 180° | |
| 46 | 92006180010 | HOSE 5/8 | |
| 47 | 00777600124 | ADAPTER 90° M/M 1/2 ADJUSTABLE | |
| 48 | 00777100059 | BEARING CLA 6005 2RS1 25X47X12 | |
| 49 | 00777600156 | NIPPLE 1/2 - 3/8 | |
| 50 | 00777600128 | WASHER 1/2 | |
| 51 | 92006000002 | | |
| 52 | 00111550005 | WASHER M10 | |
| 53 | 00777600130 | NIPPLE 3/4-1/2 | |
| 54 | 95598400000 | PUMP MD10V 14/18 SEAL KIT | |
| 55 | 92006110000 | PULLEY POLY CHAIN 8M-50S | |
| 56 | 00111980042 | BELT POLY CHAIN GT2 896-8MGT-12 | |
| 58 | 00111900022 | TONGUE 1/4 X 1/4 X 14,5 | |
| 60 | 00111000058 | SNAP RING D.47 I | |
| 61 | 95598590000 | VALVE HTC 4WD GASKET KIT | |
| 62 | 95599000092 | VALVE MCD 28/2202-PBFB | |
| 65 | 95598720000 | GTS-D TIGHTENER SHAFT KIT | |

#**P/N****DESCRIPTION****GTS-D****REF. 22 - 00555501337**

66

92001000042

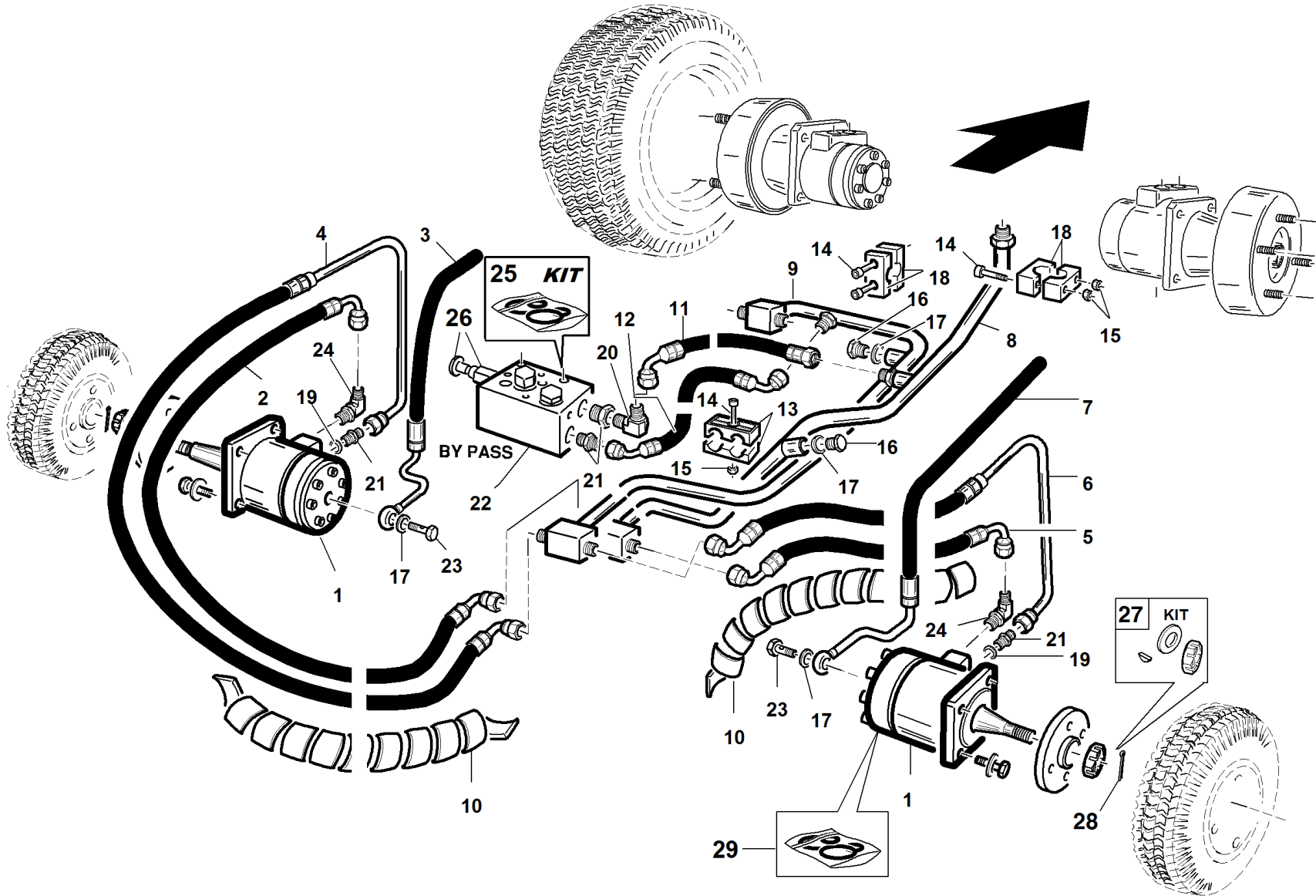
IMMERSED FILTER GASKET

67

00111450005

SCREW/W M6X16

GTS-D

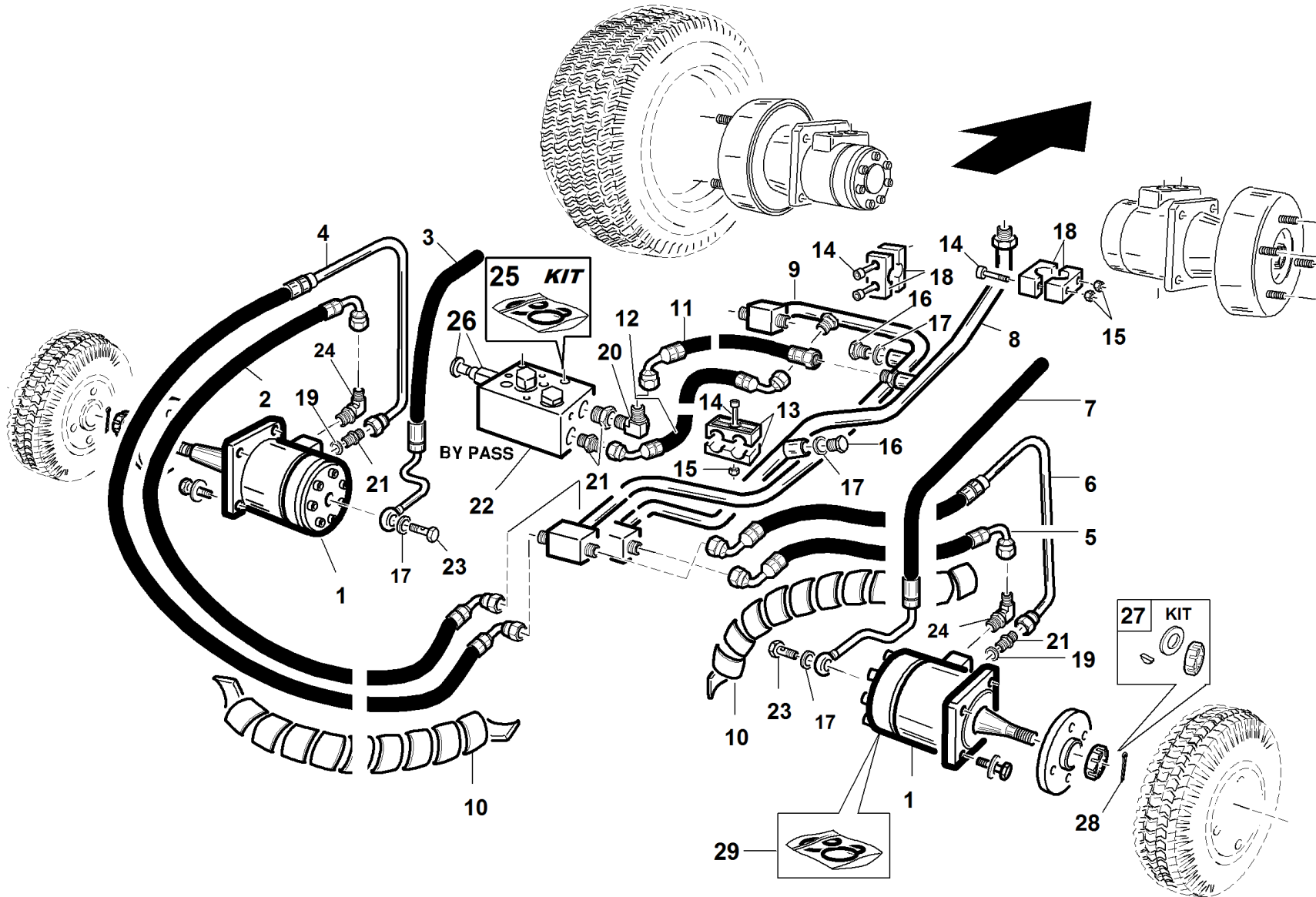


S/N
→1103002

REF. 23 - 00555501335

| # | P/N | DESCRIPTION | GTS-D |
|----|-------------|--------------------------------|-------|
| 1 | 92002000012 | REAR WHEEL HYDR. MOTOR ARS100 | |
| 2 | 92002000010 | LEFT WHEEL ENGINE TUBE | |
| 3 | 92010100001 | LEFT WHEEL ENGINE TUBE | |
| 4 | 92002000009 | LEFT WHEEL ENGINE TUBE | |
| 5 | 92002000005 | RIGHT WHEEL ENGINE HOSE | |
| 6 | 92002000004 | RIGHT WHEEL ENGINE HOSE | |
| 7 | 92010100002 | RIGHT WHEEL ENGINE HOSE | |
| 8 | 92010100003 | DIESEL RECOVERY PIPE | |
| 9 | 92002000002 | CENTRAL HOSE Ø20X2.5 | |
| 10 | 92002000011 | BLACK SPIRAL D. 27 L=400mm | |
| 11 | 92006180001 | HOSE | |
| 12 | 92006180004 | TUBE 1/4 | |
| 13 | 00111990109 | PLASTIC COLLAR | |
| 14 | 00111400027 | ALLEN SCREW M8X50 | |
| 15 | 00111250018 | NUT "CONEKLOK" M8 | |
| 16 | 00777600050 | PLUG 1/4 | |
| 17 | 00777600001 | WASHER COPPER 1/4 | |
| 18 | 00111990123 | PLASTIC COLLAR Ø20 | |
| 19 | 00777600003 | WASHER COPPER 3/8 | |
| 20 | 00777600115 | MALE ELBOW 90° 3/8 | |
| 21 | 00777600015 | NIPPLE 3/8 | |
| 22 | 95303000026 | VALVE BLOCK | |
| 23 | 00777600040 | SIMPLE CABLE BOLT | |
| 24 | 00777600124 | ADAPTER 90° M/M 1/2 ADJUSTABLE | |
| 25 | 95598590000 | VALVE HTC 4WD GASKET KIT | |
| 26 | 95599000092 | VALVE MCD 28/2202-PBFB | |
| 27 | 95598470000 | NUT-WASHER-TONGUA KIT | |
| 28 | 00111000177 | PIN 4X40 | |
| 29 | 95598700000 | ARS WHEEL MOTOR OIL SEALS KIT | |

GTS-D



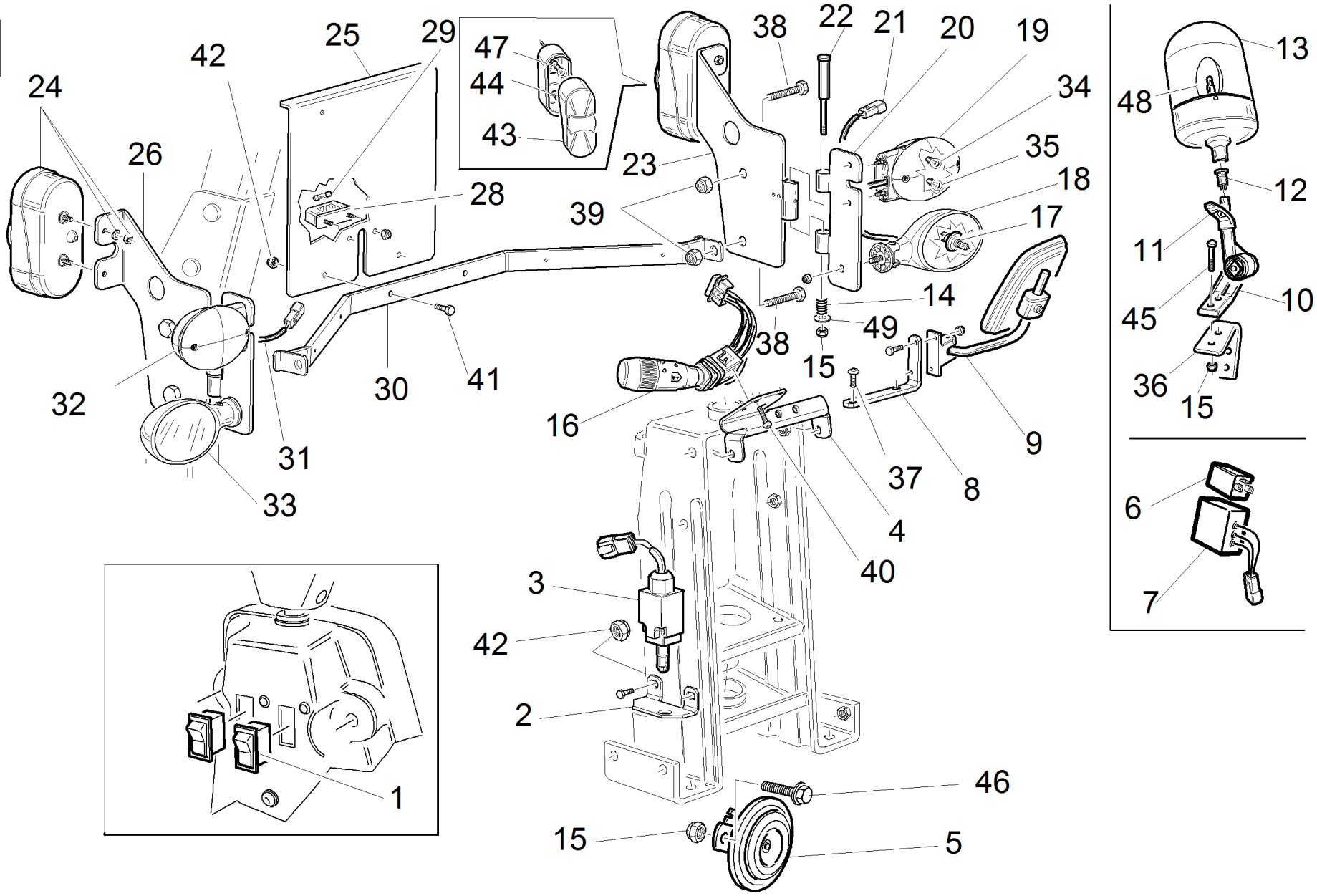
S/N

→ **0811001 ÷ 1103001** ←

REF. 23 - 00555501330

| # | P/N | DESCRIPTION | GTS-D |
|----|-------------|--------------------------------|-------|
| 1 | 92002000001 | REAR WHEEL HYDR.MOTOR ARS 80 | |
| 2 | 92002000010 | LEFT WHEEL ENGINE TUBE | |
| 3 | 92010100001 | LEFT WHEEL ENGINE TUBE | |
| 4 | 92002000009 | LEFT WHEEL ENGINE TUBE | |
| 5 | 92002000005 | RIGHT WHEEL ENGINE HOSE | |
| 6 | 92002000004 | RIGHT WHEEL ENGINE HOSE | |
| 7 | 92010100002 | RIGHT WHEEL ENGINE HOSE | |
| 8 | 92010100003 | DIESEL RECOVERY PIPE | |
| 9 | 92002000002 | CENTRAL HOSE Ø20X2.5 | |
| 10 | 92002000011 | BLACK SPIRAL D. 27 L=400mm | |
| 11 | 92006180001 | HOSE | |
| 12 | 92006180004 | TUBE 1/4 | |
| 13 | 00111990109 | PLASTIC COLLAR | |
| 14 | 00111400027 | ALLEN SCREW M8X50 | |
| 15 | 00111250018 | NUT "CONEKLOK" M8 | |
| 16 | 00777600050 | PLUG 1/4 | |
| 17 | 00777600001 | WASHER COPPER 1/4 | |
| 18 | 00111990123 | PLASTIC COLLAR Ø20 | |
| 19 | 00777600003 | WASHER COPPER 3/8 | |
| 20 | 00777600115 | MALE ELBOW 90° 3/8 | |
| 21 | 00777600015 | NIPPLE 3/8 | |
| 22 | 95303000026 | VALVE BLOCK | |
| 23 | 00777600040 | SIMPLE CABLE BOLT | |
| 24 | 00777600124 | ADAPTER 90° M/M 1/2 ADJUSTABLE | |
| 25 | 95598590000 | VALVE HTC 4WD GASKET KIT | |
| 26 | 95599000092 | VALVE MCD 28/2202-PBFB | |
| 27 | 95598470000 | NUT-WASHER-TONGUA KIT | |
| 28 | 00111000177 | PIN 4X40 | |
| 29 | 95598700000 | ARS WHEEL MOTOR OIL SEALS KIT | |

GTS D



| # | P/N | DESCRIPTION | GTS D |
|----|-------------|---------------------------------------|-------|
| 1 | 00777800238 | | |
| 2 | 92111000005 | | |
| 3 | 95162201300 | STOP LIGHT WIRED MICRO | |
| 4 | 92111150000 | | |
| 5 | 00777800022 | HORN 12V | |
| 6 | 00777800171 | INTERMITTENCE 12V-47/180W | |
| 7 | 95162300000 | ELECTRIC TIMER PANEL | |
| 8 | 92111000004 | | |
| 9 | 00111970154 | LEFT REARVIEW MIRROR | |
| 10 | 95233000004 | | |
| 11 | 00777801402 | LAMP PLASTIC CAP | |
| 12 | 00777801401 | LAMP CONNECTOR | |
| 13 | 00777802800 | ROTATING LAMP | |
| 14 | 95001000031 | PTO CLUTCH SPRING | |
| 15 | 00111000071 | SELF BLO. NUT M8 | |
| 16 | 00777800237 | | |
| 17 | 00777800225 | BULB H7 12V 55W | |
| 18 | 95599000073 | "LEFT LIGHT | |
| 19 | 95599000071 | FRONT LIGHT LEFT ARROW +PARKING LIGHT | |
| 20 | 92111100000 | | |
| 21 | 92111141101 | | |
| 22 | 92111000002 | | |
| 23 | 92111120000 | | |
| 24 | 95599000082 | LIGHT | |
| 25 | 91112000003 | | |
| 26 | 92111110000 | | |
| 28 | 00777802000 | PLATE LIGHT | |
| 29 | 00777800181 | BULB 12V C5W | |
| 30 | 92111130000 | | |
| 31 | 92111141001 | | |
| 32 | 95599000070 | FRONT LIGHT RIGHT ARROW+PARKING LIGHT | |
| 33 | 95599000072 | LIGHT | |
| 34 | 00777800178 | BULB 12V P21W | |
| 35 | 00777800177 | BULB 12V R5W | |
| 36 | 92111000003 | | |
| 37 | 00111450024 | SCREW M8 X 20 | |
| 38 | 00111300010 | SCREW TE M12X70 | |
| 39 | 00111250002 | SELF BL. NUT M12 | |
| 40 | 00111350009 | SCREW AUTOFORF.4.2X13 | |
| 41 | 00111300011 | SCREW TE M6X20 | |
| 42 | 00111000035 | SELF BLOC. NUT M6 | |
| 43 | 95599000077 | REAR LIGHT GLASS | |
| 44 | 00777800226 | LAMP 12V PY21W | |
| 45 | 00111300008 | SCREW TE M8X25 | |
| 46 | 00111450003 | SCREW WASHER M8X20 | |
| 47 | 00777800179 | BULB 12V P21/5W | |
| 48 | 00777800180 | BULB H1 12V 55W | |
| 49 | 00111000087 | WASHER P.8,4X15.6X1,5 | |

www.gianniferrari.com

Advanced Groundcare Solutions™

**COMPANY WITH QUALITY
MANAGEMENT SYSTEM CERTIFIED BY DNV
= UNI EN ISO 9001:2008 =**



**Gianni
Ferrari**

GIANNI FERRARI S.r.l.

Via Vespucci ,53 (z.ind. Ranaro)
42046 Reggiolo (Reggio Emilia) Italy
Tel. +39.0522.973697 - Fax +39.0522.973707
e-mail: info@gianniferrari.com



OFFICINE BIEFFEBI S.p.A.

Via dell'Artigianato ,7
46023 Gonzaga (Mantova) Italy
Tel. +39.0376.52641 - Fax +39.0376.588270
e-mail: bieffebi@gianniferrari.com